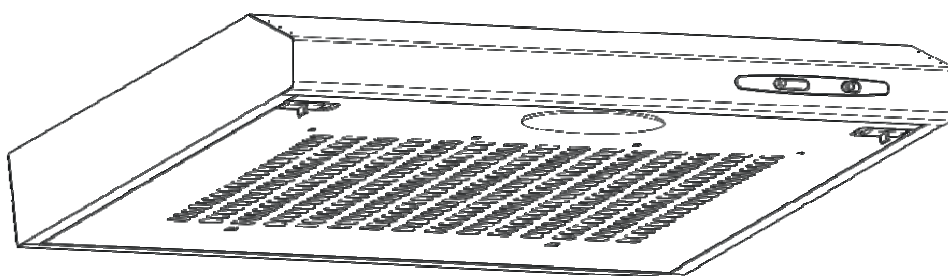


CFT610/5X , CFT610/4W

CFT610/4N , CFT610/5S

Cooker Hood

Instruction Manual

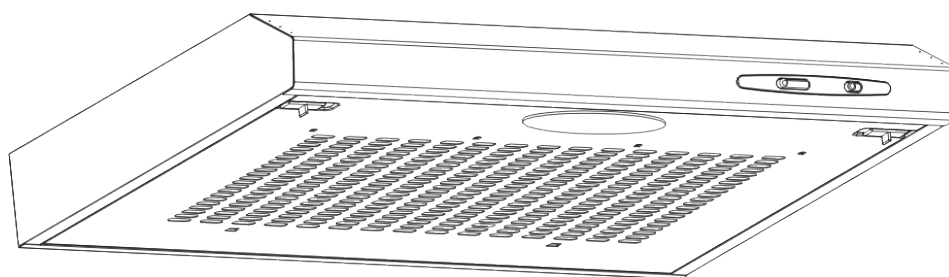


ENGLISH(EN)-----	PAGE 001
ARABIC (AR)-----	PAGE 012
BULGARIAN (BG) -----	PAGE 023
CZECH (CS)-----	PAGE 034
DANISH(DA) -----	PAGE 045
GERMAN (DE) -----	PAGE 056
SPANISH (ES) -----	PAGE 067
FINNISH (FI) -----	PAGE 078
FRENCH (FR) -----	PAGE 089
CROATIAN (HR) -----	PAGE 100

ITALIAN (IT)	PAGE 111
DUTCH (NL)	PAGE 122
NORWEGIAN (NO)	PAGE 133
ROMANIAN (RO)	PAGE 144
RUSSIAN (RU)	PAGE 155
SLOVENIAN(SL)	PAGE 166
SWEDISH (SV)	PAGE 177

Cooker Hood

Instruction Manual



Content

1.....	Safety instructions
2.....	Installation
3.....	Start using your cooker hood
4.....	Troubleshooting
5.....	Maintenance and cleaning
6.....	Environment protection

SAFETY INSTRUCTIONS

This manual explains the proper installation and use of your cooker hood, please read it carefully before using even if you are familiar with the product. The manual should be kept in a safe place for future reference.

Never to do:

- Do not try to use the cooker hood without the grease filters or if the filters are excessively greasy!
- Do not install above a cooker with a high level grill.
- Do not leave frying pans unattended during use because overheated fats or oils might catch fire.
- Never leave naked flames under the cooker hood.



- If the cooker hood is damaged, do not attempt to use.
- Do not flambé under the cooker hood.
- CAUTION: Accessible parts may become hot when used with cooking appliances.
- The minimum distance between the supporting surface for the cooking vessels on the hob and the lowest part of the cooker hood. (When the cooker hood is located above a gas appliance, this distance shall be at least 65 cm)
- The air must not be discharged into a flue that is used for exhausting fumes from appliances burning gas or other fuels.



Always to do:

- Important! Always switch off the electricity supply at the mains during installation and maintenance such as light bulb replacement.
- The cooker hood must be installed in accordance with the installation instructions and all measurements followed.
- All installation work must be carried out by a competent person or qualified electrician.
- Please dispose of the packing material carefully. Children are vulnerable to it.
- Pay attention to the sharp edges inside the cooker hood especially during installation and cleaning.
- When the cooker hood is located above a gas appliance, the minimum distance between the supporting surface for the cooking vessels on the hob and the lowest part of the cooker hood that distance must be:
Gas cookers: 75 cm
Electric cookers: 65 cm
Coal or oil cookers: 75 cm
- Make sure the ducting has no bends sharper than 90 degrees as this will reduce the efficiency of the cooker hood.
- Warning: Failure to install the screws or fixing device in accordance with these instructions may result in electrical hazards

Always to do:

- Always put lids on pots and pans when cooking on a gas cooker.
- When in extraction mode, air in the room is being removed by the cooker hood. Please make sure that proper ventilation measures are being observed. The cooker hood removes odours from room but not steam.
- Cooker hood is for domestic use only.



- If the supply cord is damaged, it must be replaced by the manufacturer, its service agent or similarly qualified persons in order to avoid a hazard.
- This appliance can be used by children aged from 8 years and above and persons with reduced physical, sensory or mental capabilities or lack of experience and knowledge if they have been given supervision or instruction concerning use of the appliance in a safe way and understand the hazards involved. Children shall not play with the appliance. Cleaning and user maintenance shall not be made by children without supervision.



- **Warning:** Before obtaining access to terminals, all supply circuits must be disconnected.

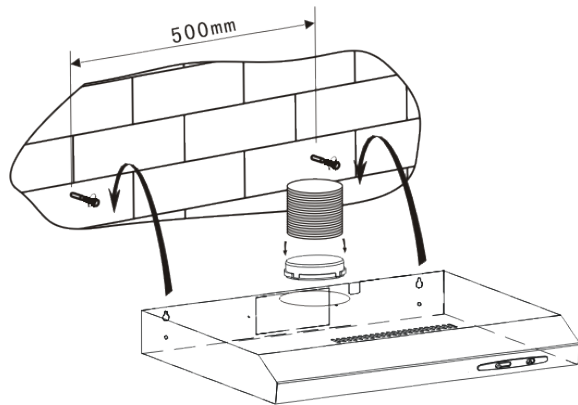
Always to do:

- **Caution:** The appliance and its accessible parts can become hot during operation. Be careful to avoid touching the heating elements. Children younger than 8 years old should stay away unless they are under permanent supervision.
- There shall be adequate ventilation of the room when the cooker hood is used at the same time as appliances burning gas or other fuels.
- There is a fire risk if cleaning is not carried out in accordance with the instructions
- Regulations concerning the discharge of air have to be fulfilled.
- Clean your appliance periodically by following the method given in the chapter MAINTENANCE.
- For safety reason, please use only the same size of fixing or mounting screw which are recommended in this instruction manual.
- Regarding the details about the method and frequency of cleaning, please refer to maintenance and cleaning section in the instruction manual.
- Cleaning and user maintenance shall not be made by children without supervision.
- When the cooker hood and appliances supplied with energy other than electricity are simultaneously in operation, the negative pressure in the room must not exceed 4 Pa (4 x 10⁻⁵ bar).
- **WARNING:** Danger of fire: do not store items on the cooking surfaces.
- A steam cleaner is not to be used.
- **NEVER** try to extinguish a fire with water, but switch off the appliance and then cover flame e.g. with a lid or a fire blanket.

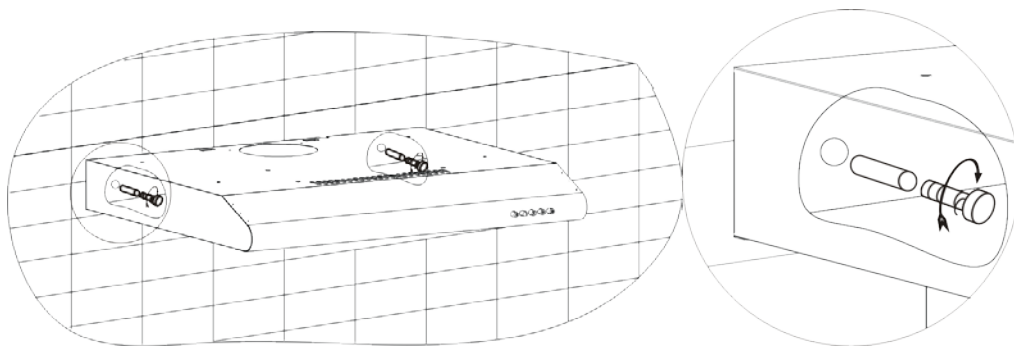
INSTALLATION

A. INSTALLATION (Wall Mounting)

- (1) Decide the location of the holes for fixing the cooker hood.
- (2) Mount the cooker hood on the wall by 4 screws (4x 30mm)

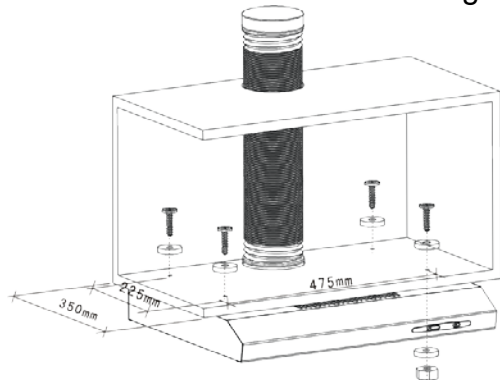


60cm cooker hood



B. INSTALLATION (Cabinet Mounting)

- (1) Mount the cooker hood on the cabinet by 4 screws (4x35mm), 4 nuts and flat washers. Fix the hood on the cabinet by passing 4 screws and 4 flat washers from the top of cabinet to the cooker hood. Then inside the cooker hood, pass the flat washer and nut through the screw to hold the appliance on the cabinet.



60cm cookerhood

Noice: There are 2 methods for ventilation, including ' horizontal ventilation' and ' vertical ventilation'. Please pay attention to the ventilation method when installation.

Horizontal ventilation: See Pic 4A, please use the cover to seal the outlet on the top, then the air can be vented from back.

Vertical ventilation: See Pic 4B, please use the cover to seal the outlet on the back, then the air can be vented from top.

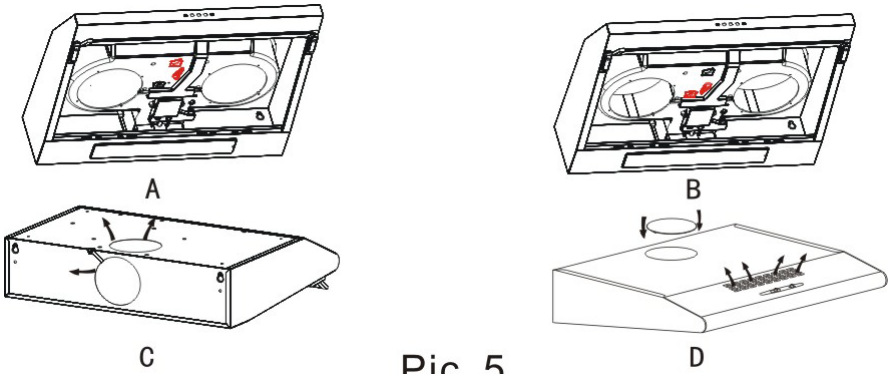


Pic 4


Air ventilation setting

Outdoor air ventilation: Turn the adjuster to outdoor position(pic.5A), install the outlet, turn on the cooker hood, then the air will be vented from the outside outlet.

Indoor air ventilation: Turn the adjuster to indoor position (pic.5B), install the outlet cover, turn on the cooker hood, then the air can be vented from the inside outlet.



Pic 5

<p>WARNING:</p> 	<ul style="list-style-type: none"> ➤ For safety reason, please use only the same size of fixing or mounting screw which are recommended in this instruction manual. ➤ Failure to install the screws or fixing device in accordance with these instructions may result in electrical hazards.
----------------------------------------------------------------------------------------------------------	----------------------------------------------------------------------------------------------------------------------------------------------------------------------------------------------------------------------------------------------------------------------------------------------------------------------

Start Using Your Cooker Hood

Toggle switch

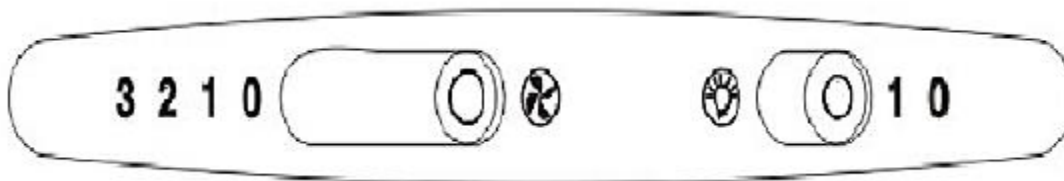
There are 3 speeds for the motor and on off switch for the lamp.
Slide the switch for operation.

Motor Operation

- 0- off
- 1- Low Power Setting
- 2- Mid Power Setting
- 3- High Power Setting

Light Operation

- 0- Off
- 1- On



TROUBLESHOOTING

Fault	Possible Cause	Solution
Light on, but motor does not work	Fan switch turned off	Select a fan switch position.
	Fan switch failed	Contact service center.
	Motor failed	Contact service center.
Light does not work, motor does not work	House fuses blown	Reset/Replace fuses.
	Power cord loose or disconnected	Refit cord to power outlet. Switch power outlet on.
Oil leakage	One way valve and the outlet are not tightly sealed	Take down the one way valve and seal with sealant.
	Leakage from the connection of chimney and cover	Take chimney down and seal.

Lights not working	Broken/Faulty globes	Replace globes as per this instruction.
Insufficient suction	The distance between the cooker hood and the gas top is too far	Refit the cooker hood to the correct distance.
The Cooker hood inclines	The fixing screw not tight enough	Tighten the hanging screw and make it horizontal.

NOTE:



Any electrical repairs to this appliance must conform to your local, state and federal laws. Please contact the service centre if in any doubt before undertaking any of the above. Always disconnect the unit from the power source when opening the unit.

MAINTENANCE AND CLEANING

Caution:

- Before maintenance or cleaning is carried out, the cooker hood should be disconnected from the main power supply. Ensure that the cooker hood is switched off at the wall socket and the plug removed.



- External surfaces are susceptible to scratches and abrasions, so please follow the cleaning instructions to ensure the best possible result is achieved without damage.

GENERAL

Cleaning and maintenance should be carried out with the appliance cold especially when cleaning. Avoid leaving alkaline or acid substances (lemon juice, vinegar etc.) on the surfaces.

STAINLESS STEEL

The stainless steel must be cleaned regularly (e.g. weekly) to ensure long life expectancy. Dry with a clean soft cloth. A specialized stainless steel cleaning fluid may be used.

NOTE:

Ensure that wiping is done along with the grain of the stainless steel to prevent any unsightly crisscross scratching patterns from appearing.

CONTROL PANEL SURFACE

The inlay control panel can be cleaned using warm soapy water. Ensure the cloth is clean and well wrung before cleaning. Use a dry soft cloth to remove any excess moisture left after cleaning.

Important

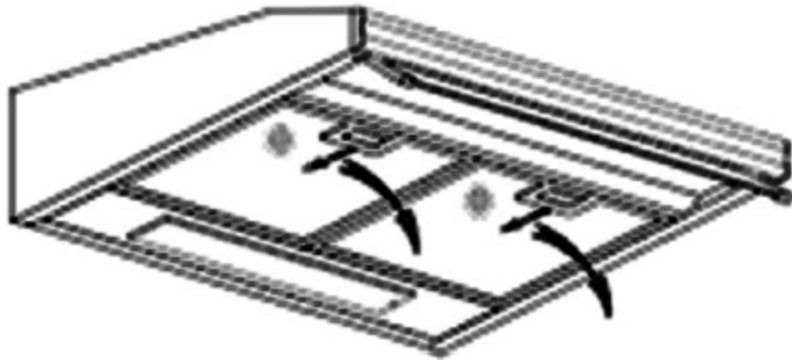
Using neutral detergents and avoid using harsh cleaning chemicals, strong household detergents or products containing abrasives, as this will affect the appliance appearance and potentially remove any printing of artwork on the control panel and will void manufactures warrantee.

GREASE MESH FILTERS

The filters can be cleaned by hand. Soak them for about 3 minute in water with a grease-loosening detergent then brush it gently with a soft brush. Please do not apply too much pressure, avoid to damage it . (Leave to dry naturally out of direct sun light)

Filters should be washed separately to crockery and kitchen utensils. it is advisable not to use rinse aid.

- Removing the filters as the instruction in Pic.below.
- Please do not use abrasive detergent for it will damage the hood.



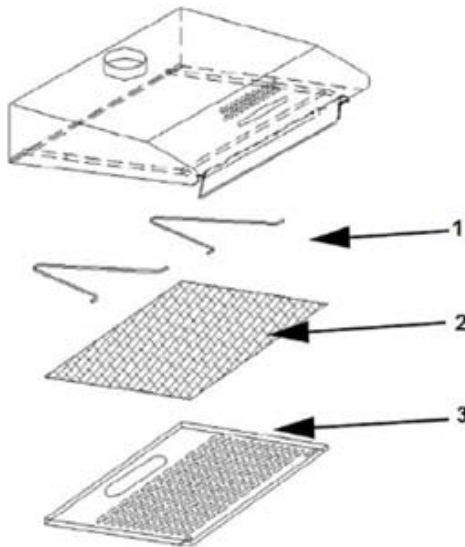
INSTALLING GREASE MESH FILTERS

- To install filters for the following four steps .
 - Angle the filter into slots at the back of the hood.
 - Push the button on handle of the filter.
 - Release the handle once the filter fits into a resting position.
 - Repeat to install all filters.

CARBON FILTER

Activated carbon filter can be used to trap odors. Normally the activated carbon filter should be changed at three or six months according to your cooking habit. The installation procedure of activated carbon filter is as below.

1. Remove the grease filter.
2. Place the carbon filter onto the grease filter.
3. Fix the properly-adjusted carbon filter with the small steel wire.
4. Reinstall the grease filter.
5. Use carbon filters for recirculation mode only.



1 Steel hanger


2 Carbon filter

3 Grease filter

NOTE:

- Make sure the filter is securely locked. Otherwise, it would loosen and cause dangerous.
- When activated carbon filter attached, the suction power will be lowered.

BULB REPLACEMENT

<p>Important :</p> 	<ul style="list-style-type: none"> ✧ The bulb must be replaced by the manufacturer, its service agent or similarly qualified persons. ✧ Always switch off the electricity supply before carrying out any operations on the appliance. When handling bulb, make sure it is completely cool down before any direct contact to hands. ✧ When handling globes hold with a cloth or gloves to ensure perspiration does not come in contact with the globe as this can reduce the life of the globe.
--------------------------------------------------------------------------------------------------------	---------------------------------------------------------------------------------------------------------------------------------------------------------------------------------------------------------------------------------------------------------------------------------------------------------------------------------------------------------------------------------------------------------------------------------------------------------------------------------------------------------------------------------

Changing the light:

*Before changing the lights, make sure that the appliance is plugged off.

*Use the screw driver loosen the ST4*8MM self tapping screw (2pcs) from the lighting panel, take out the lighting fixture. Open the terminal box that connected with the wire, disconnect the wire connector and replace the lamp.

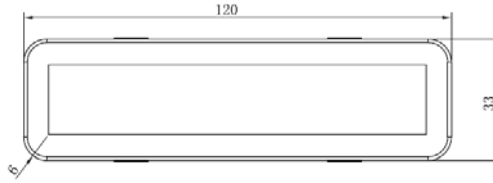
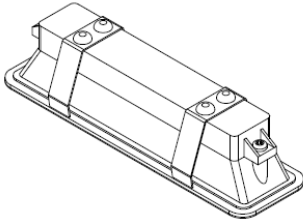
• ILCOS D code for this lamp is: DBS-2.5/65-H-120/33

– LED modules –rectangle lamp


– Max wattage: 2.5 W

– Voltage range: AC 220-240V

– Dimensions:



ENVIRONMENTAL PROTECTION:

	<p>This product is marked with the symbol on the selective sorting of waste electronic equipment. This means that this product must not be disposed of with household waste but must be supported by a system of selective collection in accordance with Directive 2012/19/EU. It will then be recycled or dismantled to minimize impacts on the environment, electrical and electronic products are potentially dangerous for the environment and human health due to the presence of hazardous substances. For more information, please contact your local or regional authorities.</p>
-----------------------------------------------------------------------------------	-------------------------------------------------------------------------------------------------------------------------------------------------------------------------------------------------------------------------------------------------------------------------------------------------------------------------------------------------------------------------------------------------------------------------------------------------------------------------------------------------------------------------------------------------------------------------------------------

NOTE:

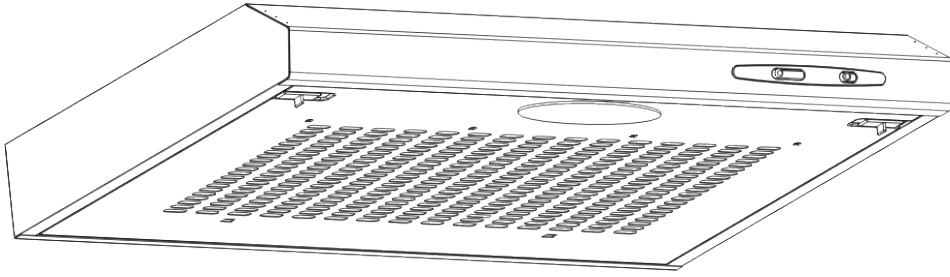
The following shows how to reduce total environmental impact (e.g. energy use) of the cooking process).

- (1) Install the cooker hood in a proper place where there is efficient ventilation.
- (2) Clean the cooker hood regularly so as not to block the airway.
- (3) Remember to switch off the cooker hood light after cooking.
- (4) Remember to switch off the cooker hood after cooking.

INFORMATION FOR DISMANTLING

Do not dismantle the appliance in a way which is not shown in the user manual. The appliance could not be dismantled by user. At the end of life, the appliance should not be disposed of with household waste. Check with you Local Authority or retainer for recycling advice.

شفاط البوتاجاز دليل الاستخدام



المحتويات

تعليمات السلامة.....	1
التركيب.....	2
بدء استخدام شفاط البوتجاز الخاص بك.....	3
استكشاف الأعطال وإصلاحها.....	4
الصيانة والتنظيف.....	5
حماية البيئة.....	6

تعليمات السلامة

يوضح هذا الدليل طريقة التركيب الصحيحة وكيفية استخدام شفاط البوتاجاز الخاص بك، لذا يرجى قراءته بعناية قبل الاستخدام حتى وإن كنت على دراية بالمنتج. ويجب الاحتفاظ بالدليل في مكان آمن للرجوع إليه في المستقبل.

حافظ دومًا على ما يلي:

- مهم! احرص دومًا على فصل مصدر الكهرباء من المصدر الرئيسي أثناء إجراء أعمال التركيب والصيانة مثل استبدال مصباح الإضاءة.
- يجب تركيب شفاط البوتاجاز وفقًا لإرشادات التركيب والمقاييس المتبعة.
- يجب إجراء جميع أعمال التركيب من قبل شخص مختص أو كهربائي مؤهل.
- يُرجى التخلص من مواد التغليف بعناية. فالأطفال أكثر عرضة لها.
- احترس من الحواف الحادة الموجودة بداخل شفاط البوتاجاز ولا سيما أثناء التركيب والتنظيف.
- عند تثبيت شفاط البوتاجاز أعلى جهاز يعمل بالغاز، يجب أن تكون المسافة بين السطح الحامل لأوعية الطهي على لوح الموقد والجزء السفلي لشفاط البوتاجاز كما يلي:
بوتاجازات الغاز: 75 سم
بوتاجازات الكهرباء: 65 سم
بوتاجازات الفحم أو النفط: 75 سم
- تأكد من أن القنوات لا تحتوي على انحناءات أحد من 90 درجة حيث إن ذلك سيقلل من كفاءة شفاط البوتاجاز.
- تحذير: قد يؤدي عدم تثبيت البراغي أو تثبيت الجهاز وفقًا لهذه الإرشادات إلى التعرض لمخاطر كهربية

ابتعد دومًا عما يلي:

- لا تحاول استخدام شفاط البوتاجاز دون مرشحات الشحوم أو في حال تراكم الشحوم بإفراط على المرشحات!
- لا تقم بتركيب الشفاط فوق بوتاجاز مزود بشواية في مستوى عالٍ.
- لا تترك أواني القلي دون متابعة أثناء الاستخدام حيث يُمكن أن يتسبب تسخين الدهون والزيوت بشكل مفرط في احتراقها.
- لا تترك أبدًا لهبًا مكشوفًا تحت شفاط البوتاجاز.



- لا تحاول استخدام الشفاط في حال تعرضه للتلف.
- لا تُشعل النبيذ تحت شفاط البوتاجاز.
- تنبيه: قد تصبح الأجزاء التي يمكن الوصول إليها ساخنة عند استخدامها مع أدوات الطهي.
- أقل مسافة بين السطح الحامل لأوعية الطهي الموجود على لوح الموقد والجزء السفلي لشفاط البوتاجاز. (عند وضع شفاط البوتاجاز فوق جهاز يعمل بالغاز، يجب ألا تقل المسافة عن 65 سم)
- لا يجب تفريغ الهواء عبر مصرف الغازات المستخدم لإخراج أدخنة اادم الأجهزة التي تعمل بالغاز أو أنواع الوقود الأخرى.



حافظ دومًا على ما يلي:

- احرص دائمًا على وضع أغطية على الأواني والمقالي عند الطهي على بوتاجازات غاز.
- عندما يكون في وضع الإخراج، يتم طرد الهواء من الغرفة بواسطة شفاط البوتاجاز. ولذا يُرجى التأكد من مراعاة تدابير التهوية المناسبة. يطرد شفاط البوتاجاز الروائح من الغرفة ولا يطرد البخار.
- شفاط البوتاجاز مخصص للاستعمال المنزلي فقط.



- في حال تلف كابل التغذية، يجب استبداله بواسطة الشركة المصنعة، أو وكيل الخدمة الخاص بها، أو الأشخاص المؤهلين بشكل مماثل لتقادي التعرض للخطر.
- يُمكن استخدام هذا الجهاز بواسطة الأطفال البالغ عمرهم 8 سنوات أو أكثر والأشخاص الذين يعانون من نقص في القدرات البدنية، أو الحسية أو العقلية أو الأشخاص الذين عندهم نقص في الخبرة أو المعرفة إذا خضعوا للإشراف أو قدمت لهم تعليمات بشأن استخدام الجهاز بطريقة آمنة وفهم المخاطر التي ينطوي عليها. يجب ألا يلعب الأطفال بالجهاز. لا يجب أن يقوم الأطفال بالتنظيف وأعمال صيانة المستخدم دون إشراف.



- تحذير: قبل محاولة الوصول إلى الأطراف، يجب فصل جميع دوائر الإمداد.

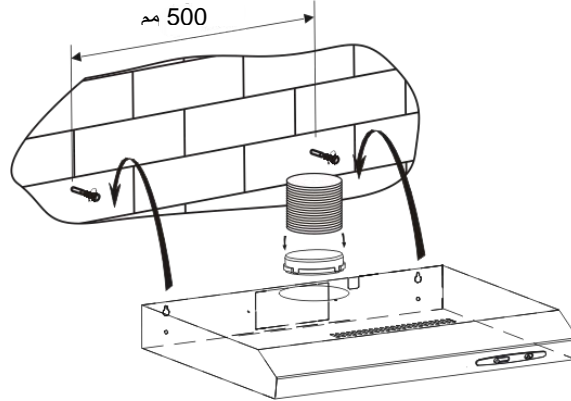
حافظ دومًا على ما يلي:

- تنبيه: يمكن أن يصبح الجهاز وأجزائه التي يمكن الوصول إليها ساخنة أثناء التشغيل. احرص على تقادي لمس العناصر الساخنة. يجب على الأطفال الذين تقل أعمارهم عن 8 سنوات البقاء بعيدًا ما لم يكونوا تحت إشراف دائم.
- يجب توفر تهوية مناسبة للمكان عند تشغيل شفاط البوتاجاز في وقت تشغيل أجهزة أخرى تعمل على الغاز أو أنواع الوقود الأخرى.
- من المحتمل التعرض لمخاطر الحريق إذا لم يتم التنظيف وفقًا للتعليمات
- يجب تنفيذ التعليمات المتعلقة بتفريغ الهواء.
- نظف جهازك دوريًا من خلال اتباع الطريقة الواردة في فصل "الصيانة".
- لأسباب تتعلق بالسلامة، يُرجى استخدام براغي تثبيت أو تركيب بالمقاسات نفسها الموصى بها في دليل الاستخدام هذا فقط.
- فيما يتعلق بالتفاصيل حول طريقة وعدد مرات إجرائه، يرجى الرجوع إلى قسم الصيانة والتنظيف في دليل الاستخدام.
- لا يجب أن يقوم الأطفال بالتنظيف وأعمال صيانة المستخدم دون إشراف.
- في حال تشغيل شفاط البوتاجاز والأجهزة التي تعمل بمصادر طاقة غير الكهرباء في وقت واحد، يجب ألا يتجاوز الضغط العكسي في المكان 4 باسكال (4 × 10-5 بار).
- تحذير: خطر الحريق: لا تخزّن الأغراض على أسطح الطهي.
- لا يجب استخدام منظم بخاري.
- لا تحاول إطفاء الحريق بالماء، ولكن أوقف تشغيل الجهاز ثم قم بتغطية اللهب باستخدام غطاء إناء أو بطانية لإطفاء الحريق مثلًا.

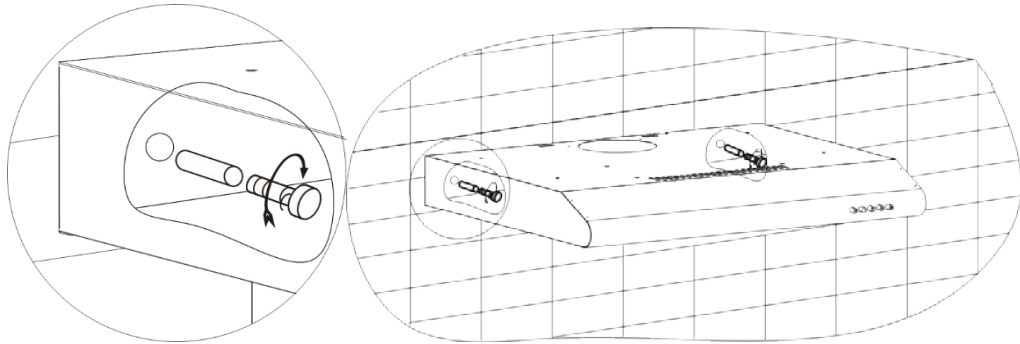
التركيب

A. التثبيت (التثبيت على الحائط)

- (1) حدد مواقع الثقوب لتثبيت شفط البوتاجاز.
- (2) تثبت شفط البوتاجاز على الحائط باستخدام 4 براغي مقاس (304 x مم)

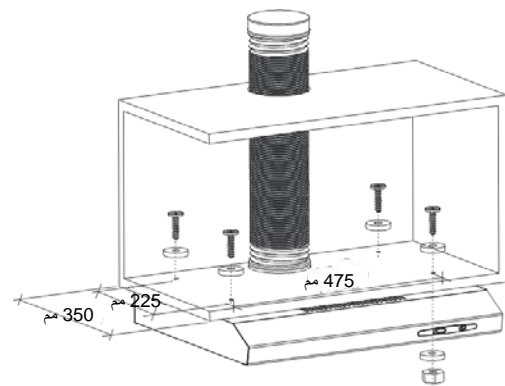


شفط بوتاجاز 60 سم



B. التثبيت (تثبيت على الخزانة)

- (1) تثبت شفط البوتاجاز على الخزانة باستخدام 4 براغي مقاس (354 x مم)، و4 صامولات، وحلقات مسطحة. تثبت الشفط على الخزانة من خلال تمرير 4 براغي و4 حلقات من أعلى الخزانة إلى شفط البوتاجاز. ثم مرر الحلقة المسطحة والصامولة عبر البراغي داخل شفط البوتاجاز لتثبيت الجهاز على الخزانة.

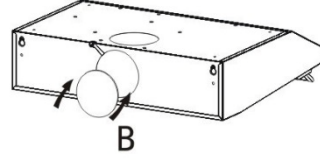
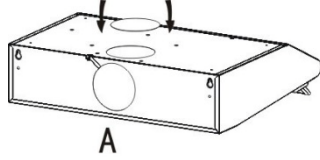


شفط بوتاجاز 60 سم

ملاحظة مهمة: هناك طريقتان للتهوية، بما في ذلك "التهوية الأفقية" و"التهوية الرأسية". يرجى الانتباه إلى طريقة التهوية عند التركيب.

التهوية الأفقية: انظر الصورة 4أ، يُرجى استخدام الغطاء لسد المنفذ الموجود في الأعلى، ثم يمكن مرور الهواء من الخلف.

التهوية الرأسية: انظر الصورة 4ب، يُرجى استخدام الغطاء لسد المخرج الموجود في الجزء الخلفي، ثم يمكن مرور الهواء من الأعلى.

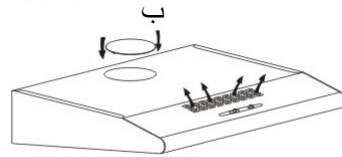
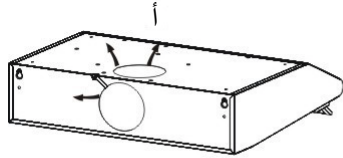
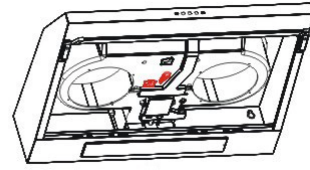
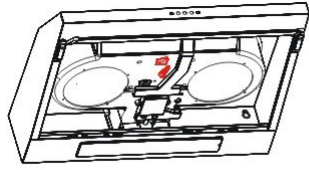


الصورة 4

إعداد تجديد الهواء

التهوية الخارجية: أدر المنظم إلى الوضع الخارجي (الصورة 5أ)، وركب المنفذ، وشغل شفاط البوتاجاز، وبعد ذلك سيخرج الهواء من المنفذ الخارجي.


التهوية الداخلية: أدر المنظم إلى الوضع الداخلي (الصورة 5ب)، وركب غطاء المنفذ، وشغل شفاط البوتاجاز، وبعد ذلك سيخرج الهواء من المنفذ الداخلي.



ج

د

الصورة 5

<p>تحذير:</p> 	<p>✓ لأسباب تتعلق بالسلامة، يرجى استخدام براغي تثبيت أو تركيب بمقاسات مماثلة للمقاسات الموصى بها في دليل الاستخدام هذا فقط.</p> <p>✓ قد يؤدي عدم تثبيت البراغي أو تثبيت الجهاز وفقاً لهذه الإرشادات إلى التعرض لمخاطر كهربائية.</p>
---------------------------------------------------------------------------------------------------	-------------------------------------------------------------------------------------------------------------------------------------------------------------------------------------------------------------------------------------

بدء استخدام شفاط البوتاجاز الخاص بك

مفتاح التبديل

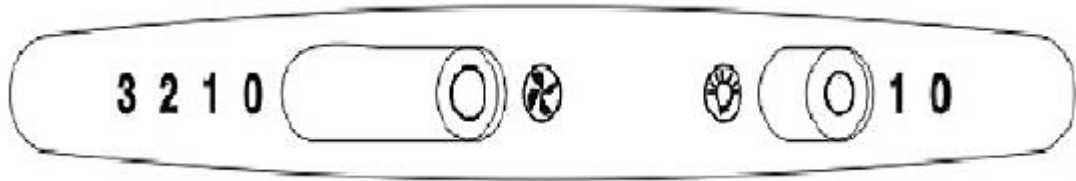
توجد 3 سرعات للمحرك ومفتاح تشغيل/إيقاف المصباح. حرك المفتاح للتشغيل.

تشغيل المحرك

- 0 إيقاف التشغيل
- 1 وضع الطاقة المنخفضة
- 2 وضع الطاقة المتوسطة
- 3 وضع الطاقة العالية

تشغيل المصباح

- 0 إيقاف التشغيل
- 1 تشغيل



اكتشاف الأعطال وإصلاحها

العطل	السبب المحتمل	الحل
المصباح قيد التشغيل، ولكن المحرك لا يعمل.	تم إيقاف تشغيل مفتاح المروحة	حدّد وضع مفتاح المروحة.
	تعطل مفتاح المروحة	اتصل بمركز الخدمة.
	تعطل المحرك	اتصل بمركز الخدمة.
المصباح لا يعمل، وتوقف المحرك عن العمل	تلف المنصهر الداخلي	أعد تعيين/استبدل المنصهرات.
	سلك التيار مفكوك أو غير متصل	أعد توصيل السلك بمقبس الطاقة. شغل مقبس الطاقة.
تسرب الزيت	الصمام أحادي الاتجاه والمنفذ غير مغلقين بإحكام	أنزل الصمام أحادي الاتجاه وقم بسدها بمادة مانعة للتسرب.
	التسرب قادم من التوصيلة الموجودة بين المدخنة والغطاء	أنزل المدخنة وقم بسدها.

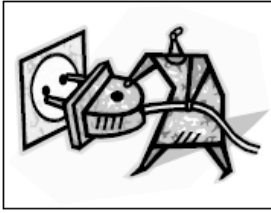
المصابيح لا تعمل	أعطية نثر الإضاءة مكسورة/معيبة	استبدل أعطية نثر الإضاءة حسب هذه التعليمات.
الشفط غير كافٍ	المسافة التي بين شفاط البوتاجاز وبين قمة بوتاجاز الغاز بعيدة جداً	أعد تركيب شفاط البوتاجاز بما يتوافق مع المسافة الصحيحة.
حدوث ميل في شفاط البوتاجاز	براغي التثبيت غير محكمة بشكل كافٍ	أحكم تثبيت براغي التعليق واجعلها في وضع أفقي.

ملاحظة:

يجب أن تتوافق أي إصلاحات كهربية لهذا الجهاز مع القوانين المحلية، والدولية، والفيدالية التي تتبع لها. يرجى الاتصال بمركز الخدمة إذا كان هناك أي شك قبل القيام بأي مما سبق. حافظ دائماً على فصل الوحدة عن مصدر



الطاقة عند فتح الوحدة.



الصيانة والتنظيف

تنبيه:

- يجب فصل شفاط البوتاجاز من مصدر إمداد الطاقة، قبل إجراء أعمال الصيانة أو النظافة. تأكد من إيقاف تشغيل شفاط البوتاجاز من مقبس الحائط ومن إزالة القابس.
- الأسطح الخارجية عرضة للخدوش والكشوط، لذا يرجى اتباع إرشادات التنظيف لضمان تحقيق أفضل نتيجة ممكنة دون حدوث ضرر.

إرشادات عامة

يجب إجراء أعمال التنظيف والصيانة عندما يكون الجهاز بارداً ولا سيما عند التنظيف. تجنب ترك المواد القلوية أو الحمضية (عصير الليمون، والخل، وما إلى ذلك) على الأسطح.

الفولاذ المقاوم للصدأ

يجب تنظيف الفولاذ المقاوم للصدأ بصفة منتظمة (أسبوعياً مثلاً) لضمان طول العمر المتوقع. وجففه بقماش ناعم ونظيف. يمكن استخدام سائل تنظيف مخصص بالفولاذ المقاوم للصدأ.

ملاحظة:

تأكد من إجراء المسح بإضافة حبوب الفولاذ المقاوم للصدأ لمنع ظهور أي أنماط من الخدوش المتقاطعة القبيحة.

واجهة لوحة التحكم

يمكن تنظيف لوحة التحكم المرصعة باستخدام الماء الدافئ الصابوني. تأكد من نظافة القماش وعصره جيداً قبل التنظيف. استخدم قطعة قماش ناعمة وجافة لإزالة الرطوبة الزائدة المتبقية بعد التنظيف.

مهم

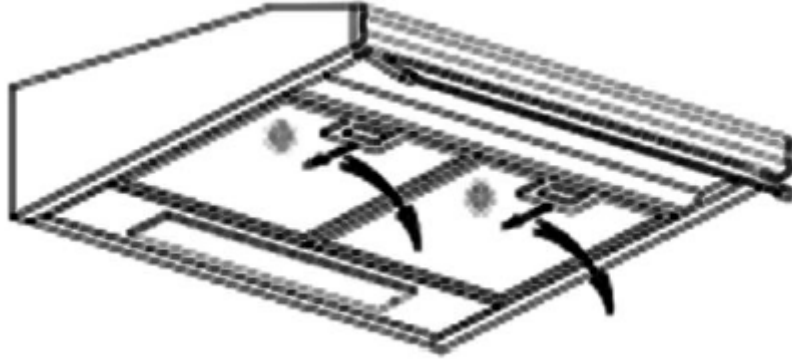
استخدم منظفات متعادلة وتجنب استخدام منتجات التنظيف الكيماوية الخشنة، أو المنظفات المنزلية الخشنة، أو المنتجات التي تحتوي على مواد كاشطة، لأن ذلك سيؤثر على مظهر الجهاز ويُحتمل أن يؤدي إلى إزالة أي عمل فني على لوحة التحكم وسيؤدي إلى إبطال ضمان الشركة المصنعة.

مرشحات شبكة الشحوم

يمكن تنظيف مرشحات باليد. انقعها لمدة 3 دقائق في الماء باستخدام منظف يزيل الشحوم ثم نظفها برفق باستخدام فرشاة ناعمة. يُرجى عدم الضغط بشدة، وتجنب الإضرار بها. (اتركها لتجف طبيعيًا نتيجة لتعرضها لضوء الشمس المباشر)

يجب غسل المرشحات بمعزل عن الأواني الفخارية وأدوات المطبخ. ومن المستحسن عدم استخدام أداة مساعدة للشطف.

- إزالة المرشحات باتباع الإرشادات الموضحة في الصورة أدناه.
- يُرجى عدم استخدام المنظفات الكاشطة حتى لا تتسبب في تلف الشفاط.



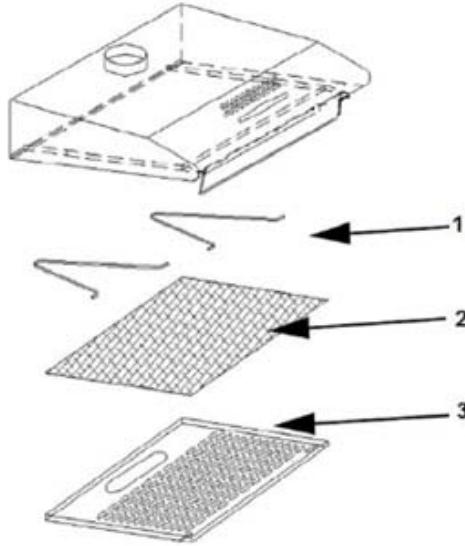
تركيب مرشحات شبكة الشحوم

- لتركيب المرشحات، اتبع الخطوات الأربعة الآتية:
 - وجه المرشح ناحية الفتحات في الجزء الخلفي للشفاط.
 - اضغط على الزر الموجود على مقبض المرشح.
 - حرر المقبض بمجرد تثبيت المرشح في وضع السكون.
 - كرر الخطوات لتركيب جميع المرشحات.

المرشح الكربوني

يمكن استخدام المرشح الكربوني المنشط لاحتجاز الروائح. عادةً ما يجب تغيير المرشح الكربوني المنشط خلال ثلاثة أو ستة أشهر وفقًا لعادة الطهي الخاصة بك. تتوفر خطوات تركيب مرشح الكربون المنشط أدناه.

1. أزال مرشح الشحوم.
2. ضع المرشح الكربوني على مرشح الشحوم.
3. تثبت المرشح الكربوني المعدل بطريقة صحيحة باستخدام سلك فولاذي صغير.
4. أعد تركيب مرشح الشحوم.
5. استخدم المرشحات الكربونية في وضع إعادة الدوران فقط.



3 مرشح الشحوم


2 المرشح الكربوني

1 عروة تعليق فولاذية

ملاحظة:

- تأكد من أن المرشح مغلق بإحكام. وخلاف ذلك، فقد ينحل ويسبب خطورة.
- عند تركيب المرشح الكربوني المنشط، ستتنخفض قوة الشفط.

استبدال المصباح

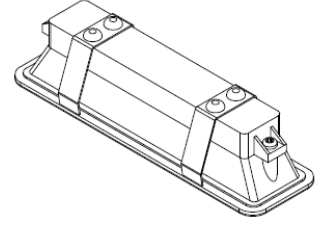
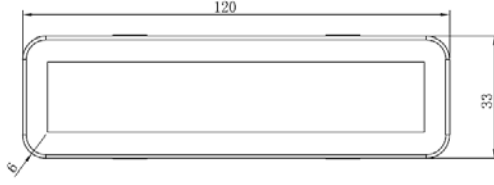
<p>✧ يجب استبدال المصباح بواسطة الشركة المصنعة، أو وكيل الخدمة الخاص بها، أو الأشخاص المؤهلين بشكل مماثل.</p> <p>✧ احرص دائماً على إيقاف التيار الكهربائي قبل إجراء أي عمليات على الجهاز. عند التعامل مع المصباح، تأكد من برودته تماماً قبل أن تلمسه مباشرة بيديك.</p> <p>✧ عند التعامل مع أغشية نثر الإضاءة، امسكها بقطعة قماش أو قفازات لضمان عدم وصول العرق إلى الغطاء، حيث إن ذلك يقلل من عمر الغطاء.</p>	<p>مهم :</p> 
---------------------------------------------------------------------------------------------------------------------------------------------------------------------------------------------------------------------------------------------------------------------------------------------------------------------------------------------------------------------------------------------------------------	----------------------------------------------------------------------------------------------------

تغيير المصباح:

- *قبل تغيير المصابيح، تأكد من فصل الجهاز من المقبس.
- *استخدم مفك البراغي لفك برغي ربط ذاتي اللولبة ST4*8مم (برغيان) من لوحة الإضاءة، ثم أخرج تركيبات الإضاءة. افتح صندوق أطراف التوصيل الذي يتصل بالسلك، افصل موصل السلك واستبدل المصباح.

• رمز نظام الترميز الدولي للمصابيح (ILCOS D) لهذا المصباح هو: DBS-2.5/65-H-120/33

- وحدات مصباح LED – مصباح مستطيل
- الحد الأقصى للقوة الكهربائية: 2.5 واط
- نطاق الجهد الكهربائي: تيار متردد 220-240 فولت
- الأبعاد:



الحماية البيئية:

تم تمييز هذا المنتج برمز في التصنيف الانتقائي للمعدات الإلكترونية التالفة. وهذا يعني أن هذا المنتج يجب ألا يتم التخلص منه مع النفايات المنزلية ولكن يجب أن يكون مدعومًا بنظام جمع انتقائي وفقًا لتوجيه الاتحاد الأوروبي رقم EU/19/2012. ثم يُعاد تدويره أو تفكيكه لتقليل التأثيرات على البيئة، حيث إن المنتجات الكهربائية والإلكترونية قد تكون خطيرة على البيئة وصحة الإنسان بسبب وجود المواد الخطرة. لمزيد من المعلومات، يرجى الاتصال بالسلطات المحلية أو الإقليمية التي تتبع لها.



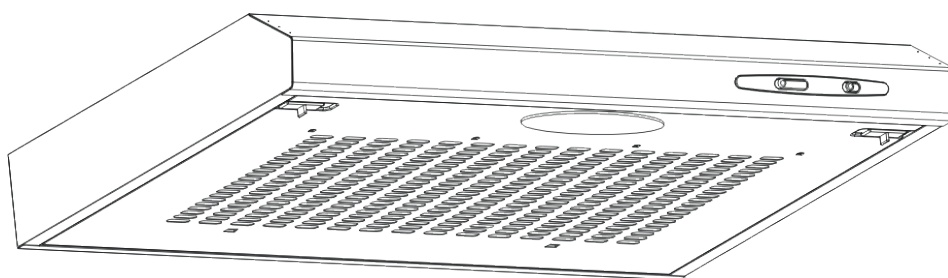
ملاحظة:

- فيما يلي توضيح لكيفية الحد من التأثير البيئي الكلي (على سبيل المثال استخدام الطاقة) لعملية الطهي).
- (1) ركب شفاط البوتاجاز في مكان مناسب بحيث توجد تهوية كافية.
 - (2) نظف شفاط البوتاجاز بانتظام حتى لا تسد مخرج الهواء.
 - (3) لا تنسَ إطفاء مصباح شفاط البوتاجاز بعد الطهي.
 - (4) لا تنسَ إيقاف تشغيل شفاط البوتاجاز بعد الطهي.

معلومات حول التفكيك

لا تفكك الجهاز بطريقة مختلفة عن الطريقة الواردة في دليل الاستخدام. لا يمكن تفكيك الجهاز من قبل المستخدم. لا يجب التخلص من الجهاز في أماكن التخلص من النفايات المنزلية، عند انتهاء عمره الافتراضي. ارجع إلى السلطات المحلية التي تتبع لها أو الموظف المفوض للحصول على مشورة بشأن إعادة التدوير.

Аспиратор
Ръководство с инструкции



С ъ д ъ р ж а н и е

- 1 И н с т р у к ц и и з а б е з о п а с н о с т
- 2 М о н т и р а н е
- 3 З а п о ч н е т е д а и з п о л з в а т е с в о я а с п и р а т о р
- 4 О т с т р а н я в а н е н а н е и з п р а в н о с т и
- 5 П о д д р ъ ж к а и п о ч и с т в а н е
- 6 З а щ и т а н а о к о л н а т а с р е д а

ИНСТРУКЦИИ ЗА БЕЗОПАСНОСТ

Товарьководстворазяснявакакправилнодамонтирате и използватесвояаспиратор. Моля, прочететеговнимателно, предидагоизползвате, дори и акоестезапознати с продукта. Съхранявайтерьководствотонасигурномястозабъдещисправки.

Какво да не правите:

- Не се опитвайте да използвате аспиратора без филтрите за мазнини или ако филтрите са силно замърсени!
- Не монтирайте над готварска печка с висок грил.
- Не оставяйте без надзор тигани по време на употреба, защото прекалено нагорещените мазнини или масла могат да се запалят.
- Никога не оставяйте непокрити пламъци под аспиратора.



- Ако аспираторът е повреден, не се опитвайте да го използвате.
- Не фламбирайте под аспиратора.
- **ВНИМАНИЕ:** Достъпните части могат да се нагорещят, когато се използват с готварски уреди.
- Не оставяйте минимално разстояние между готварските уреди върху плота и най-ниската част на аспиратора. (Когато аспираторът е разположен над газов уред, разстоянието трябва да е поне 65 см)
- Въздухът не бива да се отвежда към вентилационна тръба, която се използва за изгорели газове от уреди на газ или други горива.



Какво да правите:

- **Важно!** Винаги изключвайте електрозахранването по време на монтиране и поддръжка, като

например замяна на електрическа лампичка.

- Монтирането на аспиратора трябва да е в съответствие с инструкциите за монтаж, като се извършват всички измервания.
- Монтирането трябва да се извърши от компетентно лице или квалифициран електротехник.
- Моля, внимателно изхвърлете опаковъчните материали. Възможно е да наранят деца.
- Обърнете внимание на острите ръбове на аспиратора, особено по време на монтиране и почистване.
- Когато аспираторът се намира над газов уред, минималното разстояние между готварските уреди на плота и най-ниската част на аспиратора трябва да бъде:
Газови готварски печки: 75 см
Електрически готварски печки: 65 см
Печки на въглища или масло: 75 см
- Уверете се, че ъглите на въздухопроводите не са по-остри от 90 градуса, защото това ще намали ефективността на аспиратора.
- Предупреждение: Могат да възникнат електрически опасности при неуспешно поставяне на винтовете или монтиране на устройството в съответствие с настоящите инструкции.

Какво да правите:

- Винаги поставяйте капаци върху тенджерите и тиганите, когато готвите на газова печка.
- В режим на изсмукване. въздухът в стаята се отвежда от аспиратора. Моля, уверете се, че се спазват необходимите мерки за вентилация. Аспираторът премахва миризмите от стаята, но не и изпаренията.
- Аспираторът е предназначен само за домашна употреба.



- Ако захранващият кабел е повреден, трябва да се замени от производителя, от негов сервиз или друго квалифицирано лице, за да се избегнат злополуки.
- Този уред може да се използва от деца над 8-годишна възраст и от лица с намалени физически, сетивни или умствени способности или липса на опит и познания, ако се наблюдават или са инструктирани за използването на уреда по безопасен начин и разбират свързаните с това опасности. Децата не бива да използват уреда за игра. Почистването и потребителската поддръжка на уреда не бива да се извършва от деца без надзор.



- Предупреждение: Преди да осъществите достъп до изводите, трябва да изключите всички захранващи вериги.

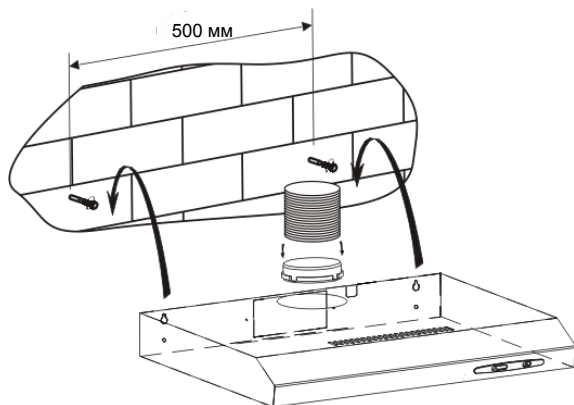
Какво да правите:

- Внимание: Уредът и достъпните му части могат да се нагорещят по време на работа. Внимавайте и не докосвайте нагревателните елементи. Деца под 8-годишна възраст не трябва да стоят в близост до уреда, освен ако не са под постоянен надзор.
- Стаята трябва да се вентилира адекватно, когато аспираторът се използва по същото време с уреди, които горят газ или други горива.
- Съществува опасност от пожар, ако почистването не се извършва в съответствие с инструкциите.
- Трябва да спазвате разпоредбите относно изпускането на въздух.
- Почиствайте уреда си периодично по начина, който е описан в глава ПОДДРЪЖКА.
- От съображения за безопасност, моля, използвайте само този размер винтове за поставяне или монтиране, които се препоръчват в настоящото ръководство с инструкции.
- За подробности относно начина и честотата на почистване, моля направете справка с раздела за поддръжка и почистване в ръководството с инструкции.
- Почистването и поддръжката на уреда от потребителите не бива да се извършват от деца без надзор.
- Когато аспираторът се използва едновременно с уреди, които не използват електрическа енергия, а друг вид захранване, отрицателното налягане в стаята не бива да надвишава 4 Pa (4 x 10⁻⁵ bar).
- ПРЕДУПРЕЖЕНИЕ: Опасност от пожар: не съхранявайте предмети върху повърхностите за готвене.
- Не бива да използвате уреди за почистване с пара.
- НИКОГА не се опитвайте да изгасите пожар с вода, а вместо това изключете уреда и покрийте пламъците, например с капак или противопожарно одеяло.

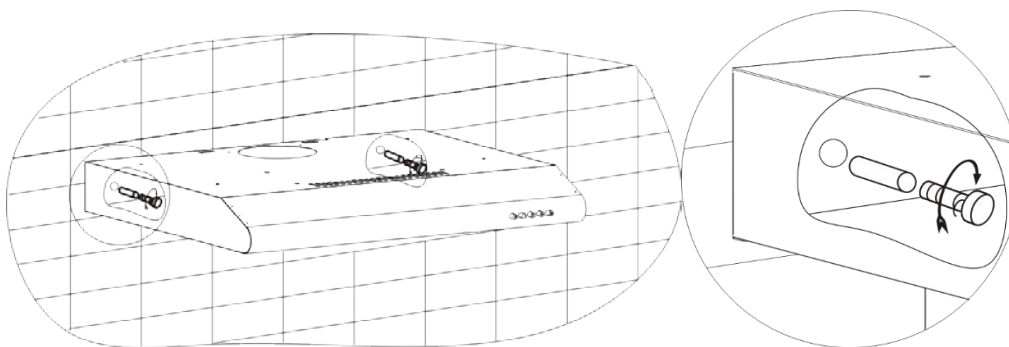
МОНТИРАНЕ

А. МОНТИРАНЕ (на стена)

- (1) Решете къде ще разположите дупките за монтиране на аспиратора.
- (2) Монтирайте аспиратора на стената с четири винта (4 x 30 мм).

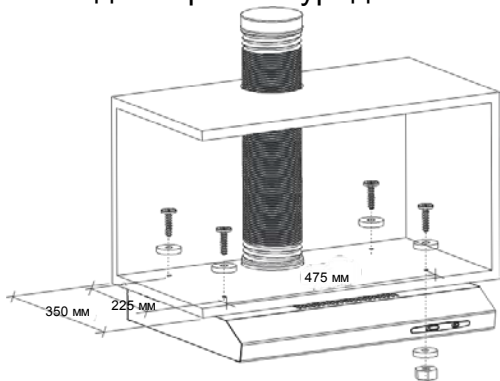


Аспиратор – 60 см



В. МОНТИРАНЕ (в шкаф)

- (1) Монтирайте аспиратора в шкафа с четири винта (4 x 35 мм), 4 гайки и плоски шайби. Монтирайте аспиратора в шкафа, като прокарате 4-те винта и плоските шайби от горната част на шкафа през отворите на аспиратора. След това вътре в аспиратора сложете плоски шайби и гайки на винтовете, за да закрепите уреда към шкафа.

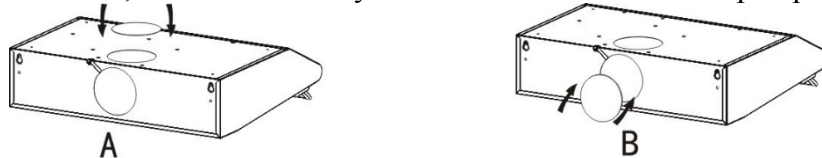


Аспиратор – 60 см

З а б е л е ж к а : Има два начина на вентилация – хоризонтална и вертикална вентилация. Моля, вземете предвид начина на вентилация, когато извършвате монтирането.

Хоризонтална вентилация: Вижте Изображение 4А. Моля, използвайте капака, за да затворите горния изход, след което въздухът ще може да се вентилира през задния изход.

Вертикална вентилация: Вижте Изображение 4В. Моля, използвайте капака, за да затворите задния изход, след което въздухът ще може да се вентилира през горния изход.

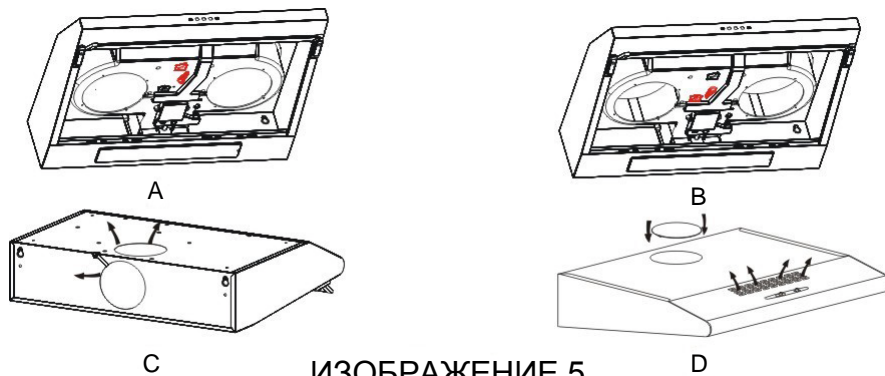


ИЗОБРАЖЕНИЕ 4

Настройка на вентилацията на въздуха

Вентилация на открито: Завъртете регулатора на позиция за вентилация на открито (изображение 5А), монтирайте изпускателния отвор, включете аспиратора и въздухът ще се вентилира от външния изпускателен отвор.

Вентилация на закрито: Завъртете регулатора на позиция за вентилация на закрито (изображение 5В), монтирайте капака на изпускателния отвор, включете аспиратора и въздухът ще може да се вентилира от вътрешния изпускателен отвор.



ИЗОБРАЖЕНИЕ 5

ПРЕДУПРЕЖДЕНИЕ



- От съображения за сигурност, моля, използвайте само този размер винтове за поставяне или монтиране, които се препоръчват в настоящото ръководство с инструкции.
- При неуспешно поставяне на винтовете или монтиране на устройството в съответствие с настоящите инструкции могат да възникнат електрически опасности.

З а п о ч н е т е д а и з п о л з в а т е с в о я а с п и р а т о р

Превключвател

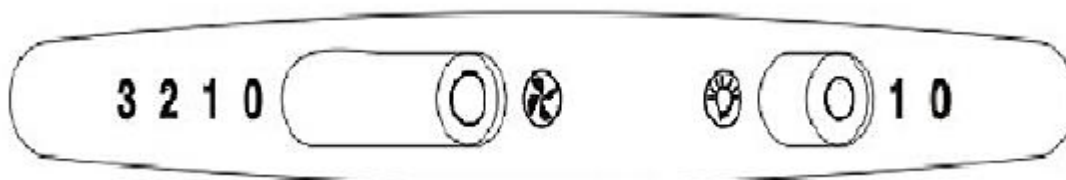
Има три скорости на мотора и бутон за включване и изключване на лампичката. Плъзнете превключвателя, за да изберете действие.

Мотор

- 0- изключено
- 1- малка мощност
- 2- средна мощност
- 3- голяма мощност

Светлинни индикатори

- 0- изключено
- 1- включено



ОТСТРАНЯВАНЕ НА НЕИЗПРАВНОСТИ

Неизправност	Вероятна причина	Решение
Светлинният индикатор свети, но моторът не работи	Превключвателят на вентилатора е изключен	Изберете позиция на превключвателя на вентилатора.
	Превключвателят на вентилатора е неисправен	Свържете се с обслужващия център.
	Моторът е неисправен	Свържете се с обслужващия център.
Светлинният индикатор не свети, моторът не работи	Предпазителите в дома ви са изгорели	Нулирайте/заменете предпазителите.
	Захранващият кабел не е вкаран докрай или е изваден	Включете кабела в източника на захранване. Включете източника на захранване.
Теч на масло	Вентилът и изпускателният отвор не са уплътнени добре	Свалете вентила и го уплътнете с уплътнител.
	Теч от връзката между комина и аспиратора	Уплътнете комина.
Светлинните индикатори не работят	Счупени/неисправни лампички	Заменете лампичките съгласно това упътване.

Недостатъчно засмукване	Разстоянието между аспиратора и повърхността на газовата печка е твърде голямо	Монтирайте аспиратора на правилното разстояние.
Аспираторът се накланя	Болтовете за закрепване не са завити достатъчно	Завийте болтовете за закрепване и изправете аспиратора в хоризонтално положение.

ЗАБЕЛЕЖКА:



Всички електрически ремонти на този уред трябва да отговарят на вашите местни, регионални и национални закони. Моля, свържете се с обслужващия център, ако имате каквито и да е съмнения, преди да извършите някое от описаните по-горе действия. Винаги изключвайте уреда от източника на захранване, когато трябва да го отворите.

ПОДДРЪЖКА И ПОЧИСТВАНЕ

Внимание:

- Преди да предприемете дейности за поддръжка или почистване, трябва да изключите аспиратора от електрозахранването. Уверете се, че щепселът на аспиратора е изваден от контакта на стената.



- Външните повърхности са податливи на надраскване и износване, така че, моля, следвайте инструкциите за почистване, за да се уверите, че ще постигнете най-добрия възможен резултат без щети.

ОБЩА ИНФОРМАЦИЯ

Дейностите за поддръжка и особено за почистване трябва да се извършват, когато уредът е студен. Избягвайте да оставяте алкални или киселинни течности (лимонов сок, оцет и др.) върху повърхностите.

НЕРЪЖДАЕМА СТОМАНА

Повърхностите от неръждаема стомана трябва да се почистват редовно (напр. веднъж седмично), за да се гарантира дълъг експлоатационен цикъл. Подсушавайте с парче сух, мек плат. Можете да използвате специални течности за почистване на неръждаема стомана.

ЗАБЕЛЕЖКА:

Избърсвайте по текстурата на неръждаемата стомана, за да предотвратите появата на неприятни за окото кръстосани надрасквания.

ПОВЪРХНОСТТА НА ПАНЕЛА ЗА УПРАВЛЕНИЕ

Вграденият панел за управление може да се почиства с топла сапунена вода. Уверете се, че платът е чист и добре изцеден, преди да започнете почистването. Използвайте парче сух, мек плат, за да премахнете останалата след почистването влага.

Важно

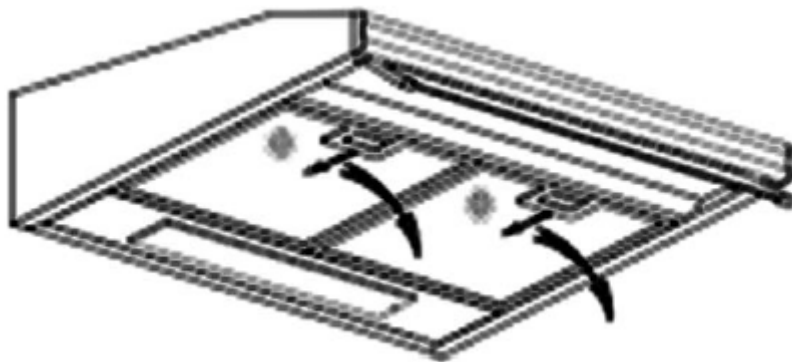
Използвайте неутрални почистващи препарати и избягвайте да използвате разяждащи почистващи химикали, разяждащи почистващи препарати или продукти, които съдържат абразивни вещества, защото това ще засегне външния вид на уреда и потенциално може да премахне отпечатаната украса на панела за управление и да анулира гаранцията на производителя.

МРЕЖЕСТИ ФИЛТРИ ЗА МАЗНИНИ

Филтрите могат да се почистват на ръка. Накиснете за около 3 минути във вода с почистващ препарат за отстраняване на мазнини, след което ги избършете нежно с мека четка. Моля, не прилагайте твърде силен натиск, за да не повредите филтрите. (Оставете ги да изсъхнат, без да са изложени на пряка слънчева светлина)

Филтрите трябва да се мият отделно от съдове за хранене и кухненски прибори, препоръчително е да не използвате препарат за изплакване.

- Свалете филтрите според инструкцията на изображението по-долу.
- Моля, не използвайте абразивни почистващи препарати, защото ще повредят аспиратора.



ПОСТАВЯНЕ НА МРЕЖЕСТИТЕ ФИЛТРИ ЗА МАЗНИНИ

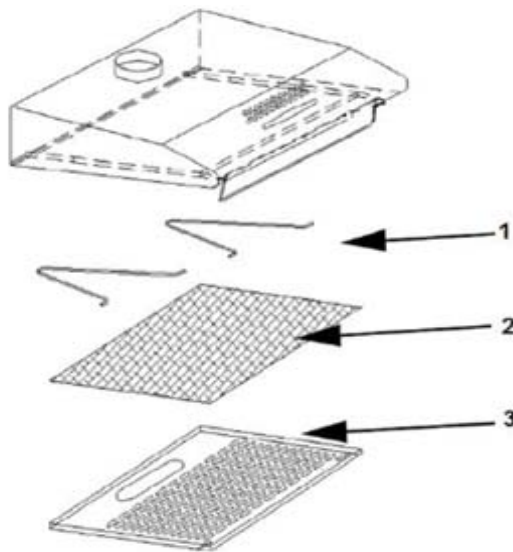
- За да поставите филтрите, изпълнете следните четири стъпки.
 - Разположете филтъра в отворите от задната страна на аспиратора.
 - Натиснете бутона върху дръжката на филтъра.
 - Освободете дръжката, когато филтърът заеме предвиденото положение.

- Повторете, за да поставите всички филтри.

ФИЛТЪР С ВЪГЛЕН

Филтърът с активен въглен може да се използва за улавяне на миризми. По принцип филтърът с активен въглен трябва да се сменя на всеки три или шест месеца в зависимост от начина, по който готвите. Процесът на поставяне на филтъра с активен въглен е както следва:

1. Свалете филтъра за мазнини.
2. Поставете филтъра с въглен върху филтъра за мазнини.
3. Закрепете правилно поставения филтър с въглен със стоманената кукичка.
4. Поставете отново филтъра за мазнини.
5. Използвайте филтрите с въглен само в режим на рециркулиране.



1. Стоманена кукичка

2. Филтър с въглен

3. Филтър за мазнини

ЗАБЕЛЕЖКА:

- Уверете се, че филтърът е закрепен надеждно. В противен случай ще се разхлаби и може да причини нараняване.
- Когато филтърът с активен въглен е поставен, силата на засмукване ще намалее.

ЗАМЯНА НА ЛАМПИЧКА

Важно:



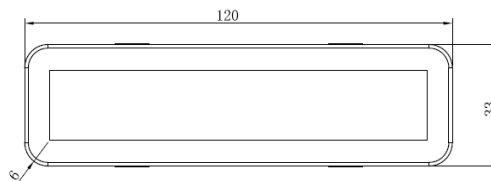
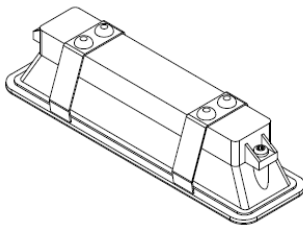
- ✧ Лампичката трябва да се замени от производителя, от негов сервиз или друго квалифицирано лице.
- ✧ Винаги изключвайте електрозахранването, преди да извършвате каквито и да е дейности по уреда. Уверете се, че лампичката е изстинала напълно, преди да я докоснете с ръце.
- ✧ Дръжте лампичките с парче плат или ръкавици, за да се уверите, че по тях няма да попадне пот, защото това може да намали експлоатационния им цикъл.

Смян на осветлението:

*Преди да смените лампичките, уверете се, че уредът е изключен от електрическата мрежа.

*Използвайте отвертка, за да разхлабите самонарязващите се винтове (8 мм, 2 броя) от панела на осветлението, след което свалете панела. Отворете клемната кутия, която е свързана с кабела, изключете съединителя и заменете лампата.

- Кодът по ILCOS D за тази лампа е: DBS-2.5/65-H-120/33
- Светодиодни модули – правоъгълна лампа
- Максимална мощност: 2,5 W
- Диапазон на напрежението: AC 220 – 240 V
- Размери:



ЗАЩИТА НА ОКОЛНАТА СРЕДА:

	<p>Този продукт е обозначен със символа за селективно сортиране за изхвърляне на електрическо и електронно оборудване. Това означава, че продуктът не може да се изхвърля като битов отпадък, а трябва да бъде включен в системата за селективно събиране в съответствие с Директива 2012/19/ЕС. Тогава ще бъде рециклиран или разглобен с цел намаляване влиянието върху околната среда. Електрическите и електронните продукти са потенциално опасни за околната среда и човешкото здраве поради наличието на рискови вещества. За повече информация, моля, свържете се с местните или регионални власти.</p>
--	-----------------------------------------------------------------------------------------------------------------------------------------------------------------------------------------------------------------------------------------------------------------------------------------------------------------------------------------------------------------------------------------------------------------------------------------------------------------------------------------------------------------------------------------------------------------------------------------------------------------

З А Б Е Л Е Ж К А :

Следват съвети как да намалите цялостното влияние върху околната среда (напр. Употреба на електричество) на процеса на готвене.

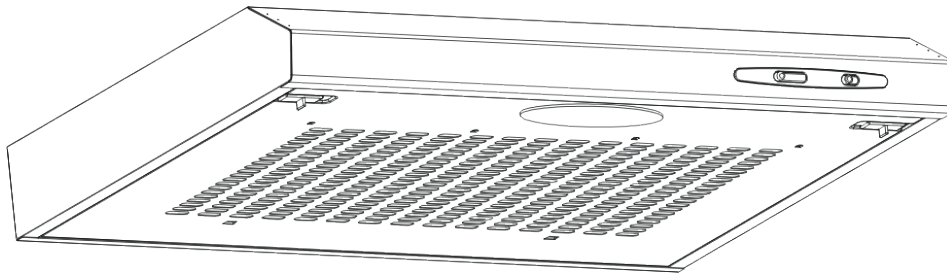
- (1) Монтирайте аспиратора на подходящо място, където има ефективна вентилация.
- (2) Почиствайте редовно аспиратора, за да не се запушат въздухопроводите.
- (3) Не забравяйте да изключите осветлението на аспиратора, след като приключите с готвенето.
- (4) Не забравяйте да изключите аспиратора, след като приключите с готвенето.

ИНФОРМАЦИЯ ЗА РАЗГЛОБЯВАНЕ

Не разглобявайте уреда по начин, който не е показан в ръководството с инструкции. Уредът не бива да се разглобява от потребителите. В края на експлоатационния му цикъл уредът не бива да се изхвърля като битов отпадък. Обърнете се към местните власти или експерти за съвет за рециклиране.

Digestoř

Návod k obsluze



Obsah

1	Bezpečnostní pokyny
2	Instalace
3	Používání digestoře
4	Řešení potíží
5	Údržba a čištění
6	Ochrana životního prostředí

BEZPEČNOSTNÍ POKYNY

Tento návod vysvětluje správnou instalaci a používání digestoře. I když produkt znáte, před použitím digestoře si návod přečtěte. Uložte návod na bezpečném místě pro pozdější použití.

Co nikdy nedopustit:

- Nezkoušejte používat digestoř bez tukových filtrů nebo když jsou tukové filtry nadměrně zanesené!
- Neinstalujte na sporák s vysoko umístěným grilem.
- Nenechávejte pánve bez dozoru, protože přehřáté tuky nebo oleje mohou vzplanout.
- Nikdy nenechte pod digestoří otevřený plamen.



- Pokud je digestoř poškozená, nepoužívejte ji.
- Pod digestoří neflambujte.
- POZOR: Přístupné součásti mohou být při vaření horké.
- Minimální vzdálenost mezi plochou plotny a nejnižší součástí digestoře. (Pokud je digestoř umístěna nad plynovým sporákem musí být tato vzdálenost alespoň 65 cm)
- Vzduch nesmí být odváděn do komína, který je používán pro odvod spalin plynových spotřebičů nebo spotřebičů používajících jiná paliva.



Co je vždy nutné:

- Důležité! Při instalaci nebo údržbě, například při výměně žárovky, vždy vypněte proud.
- Digestoř musí být instalována podle pokynů k instalaci a je nutné dodržet všechny rozměry.
- Všechny činnosti při instalaci musí provádět kompetentní osoba nebo kvalifikovaný elektrikář.
- Obalový materiál zlikvidujte opatrně. Mohlo by dojít k poranění dětí.
- Věnujte pozornost ostrým hranám uvnitř digestoře, zvláště při instalaci a čištění.
- Pokud je digestoř umístěna nad plynovým sporákem, minimální vzdálenost mezi plochou plotny a nejnižším bodem digestoře musí být:
Plynové sporáky: 75 cm
Elektrické sporáky: 65 cm
Sporáky na uhlí nebo topný olej: 75 cm
- Zajistěte, aby na odvodu plynů z digestoře nebyly ohyby ostřejší než 90 stupňů. Snížila by se účinnost digestoře.
- Varování: Pokud nejsou šrouby a upevňovací prvky namontovány podle těchto pokynů, může dojít k úrazu elektrickým proudem.

Co je vždy nutné:

- Pokud vaříte na plynovém sporáku, vždy na hrnce a pánve dejte pokličku.
- V režimu odsávání je z místnosti odsáván vzduch. Zajistěte dostatečné větrání. Digestoř odsává z místnosti pachy, ale ne páru.
- Digestoř je určena pouze k použití v domácnosti.



- Pokud se poškodí napájecí kabel, výměnu musí provést výrobce, jeho servisní zástupce nebo osoby s podobnou kvalifikací, aby se vyloučilo riziko..
- Tento spotřebič mohou používat děti starší osmi let a osoby s omezenými fyzickými, smyslovými nebo duševními schopnostmi nebo osoby nezkušené a neznalé za předpokladu, že mají zajištěný dohled nebo byly poučeny o bezpečném používání spotřebiče a chápou související rizika. Děti si s digestoří nesmí hrát. Děti nesmí provádět čištění a údržbu bez dohledu.



- Varování: Před tím, než se dotknete svorek, musí být všechny obvody odpojeny.

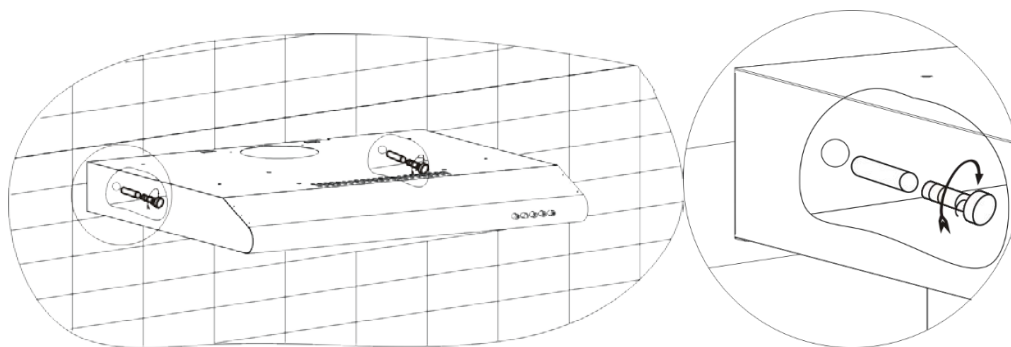
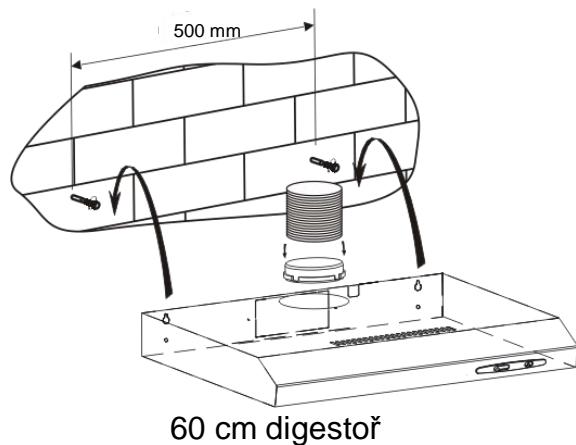
Co je vždy nutné:

- Pozor: Spotřebič a jeho přístupné součásti se mohou při používání zahřát. Zabraňte dotyku s horkými součástmi. Děti mladší než 8 let se nesmí přibližovat, pokud nejsou pod stálým dozorem.
- Pokud je digestoř používána v místnosti, kde jsou další spotřebiče spalující plyn nebo jiná paliva, musí být zajištěno dostatečné větrání.
- Pokud není prováděno čištění podle pokynů, existuje riziko požáru.
- Musí být dodržovány předpisy pro odvod vzduchu.
- Pravidelně spotřebič čistěte postupem uvedeným v kapitole ÚDRŽBA.
- Z bezpečnostních důvodů používejte pouze šrouby, které jsou doporučeny v tomto návodu.
- Podrobnosti a intervaly čištění jsou uvedeny v popisu údržby a čištění v návodu k obsluze.
- Děti nesmí provádět čištění a údržbu bez dohledu.
- Pokud jsou digestoř a současně fungující spotřebiče připojeny na napájení jiné, než elektrickou energií, podtlak v místnosti nesmí překročit 4 Pa (4×10^{-5} bar).
- VAROVÁNÍ: Nebezpečí požáru: neskladujte předměty na varném povrchu.
- Nepoužívejte parní čistič.
- NIKDY se nepokoušejte hasit požár vodou, ale vypněte spotřebič a potom zakryjte plamen např. pokličkou nebo hasicí rouškou.

INSTALACE

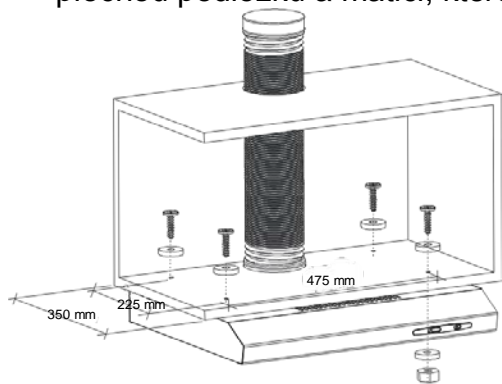
A. INSTALACE (Montáž na stěnu)

- (1) Určete místa pro otvory pro připevnění digestoře.
- (2) Upevněte digestoř na stěnu 4 šrouby (4x 30 mm)



B. INSTALACE (Montáž do linky)

- (1) Připevněte digestoř na linku 4 šrouby (4x 35 mm), 4 maticemi a plochými podložkami. Upevněte digestoř na linku prostrčením 4 šroubů s plochými podložkami ze shora linky k digestoři. Uvnitř digestoře nasadte na šroub plochou podložku a matici, které budou držet spotřebič v lince.



Upozornění: Ventilace může být dvojitá, „vodorovná ventilace“ a „svislá ventilace“. Při instalaci vyberte směr ventilace.

Vodorovná ventilace: Viz Obr. 4A. Použijte kryt pro utěsnění výstupu na horní straně. Vzduch bude proudit ze zadní strany.

Svislá ventilace: Viz Obr. 4B. Použijte kryt pro utěsnění výstupu na zadní straně. Vzduch bude proudit z horní strany.

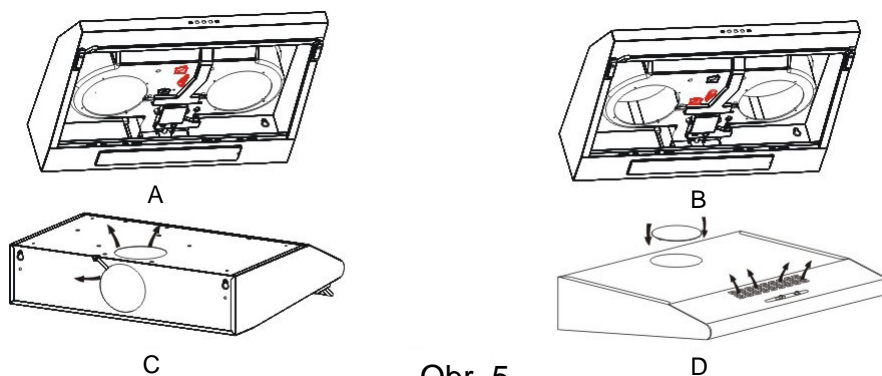


Obr. 4


Nastavení větrání

Větrání ven z místnosti: Otočte regulátor do polohy ven (Obr. 5A), namontujte na digestoř potrubí. Vzduch bude vystupovat z venkovního výstupu.

Větrání uvnitř místnosti: Otočte regulátor do polohy uvnitř (Obr. 5B), namontujte na digestoř kryt. Zapněte digestoř, vzduch bude vystupovat z vnitřního výstupu.



Obr. 5

VAROVÁNÍ: 	<ul style="list-style-type: none"> ➤ Z bezpečnostních důvodů používejte pouze šrouby, které jsou doporučené v tomto návodu. ➤ Pokud nejsou šrouby a upevňovací prvky namontovány podle těchto pokynů, může dojít k úrazu elektrickým proudem.
-------------------------------------------------------------------------------------------------------	-----------------------------------------------------------------------------------------------------------------------------------------------------------------------------------------------------------------------------------------------------------------------

Používání digestoře

Přepínač

K dispozici jsou 3 rychlosti motoru a vypínač světla.

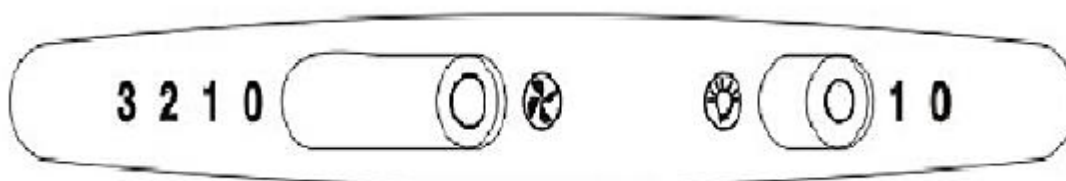
Změna nastavení se provádí posunutím.

Ovládání motoru

- 0- Vypnuto
- 1- Nízké otáčky
- 2- Střední otáčky
- 3- Vysoké otáčky

Světlo

- 0- Vypnuto
- 1- Zapnuto



ŘEŠENÍ POTÍŽÍ

Závada	Možná příčina	Řešení
Světlo svítí, ale motor nefunguje	Ventilátor je vypnut	Zapněte ventilátor.
	Ventilátor je porouchaný	Kontaktujte servisní středisko.
	Porucha motoru	Kontaktujte servisní středisko.
Nesvítí světlo, motor nefunguje	Přepálená pojistka v domácnosti	Resetujte/vyměňte pojistky.
	Kabel napájení uvolněný nebo odpojený	Zasuňte kabel do zásuvky. Zapněte zásuvku.
Uniká olej	Jednosměrný ventil nebo výstup nejsou utěsněny	Vymontujte jednosměrný ventil a utěsněte.
	Únik z připojení komína a krytu.	Odpojte komín a utěsněte.

Světla nesvítí	Vadná/porouchaná žárovka	Vyměňte žárovku podletěchto pokynů.
Nedostatečné sání	Vzdálenost mezi digestoří a sporákem a je příliš velká	Umístěte digestoř do správné vzdálenosti.
Digestoř se naklání	Upevňovací šrouby nejsou dostatečně utažené.	Utáhněte šrouby, aby byla digestoř ve vodorovné poloze.

POZNÁMKA:



Jakékoliv opravy elektrického zapojení tohoto spotřebiče musí být v souladu s místními, národními a federálními zákony. Pokud je chcete provést a máte pochybnosti, kontaktujte servisní centrum. Před otevřením jednotky ji vždy odpojte od napájení.

ÚDRŽBA A ČIŠTĚNÍ

Pozor:

- Před údržbou nebo čištěním musí být digestoř odpojena od napájení. Zkontrolujte, že je digestoř vypnutá a odpojena od zásuvky.
- Vnější povrchy jsou náchylné k poškrábání a zdrsnění, proto postupujte podle pokynů pro čištění, aby byl zajištěn co nejlepší výsledek bez poškození.



OBECNÉ INFORMACE

Čištění a údržba spotřebiče se musí provádět, když je spotřebič vychladlý. Zabraňte, aby na povrchu zůstaly zásadité nebo kyselé látky (šťáva z citronu, ocet atd.).

NEREZOVÁ OCEL

Nerezovou ocel je nutné pravidelně čistit (každý týden), aby byla zajištěna její dlouhá životnost. Vysušte čistým suchým hadrem. Lze použít specializovaný prostředek na čištění nerezové oceli.

POZNÁMKA:

Dokonale otřete, aby se nezobrazily na nerezové oceli šmouhy.

POVRCH OVLÁDACÍHO PANELU

Povrch ovládacího panelu lze čistit mýdlovou vodou. Před čištěním zkontrolujte, že je hadr čistý a dobře vyždímaný. Po čištění odstraňte vlhkost suchým měkkým hadrem.

Důležité

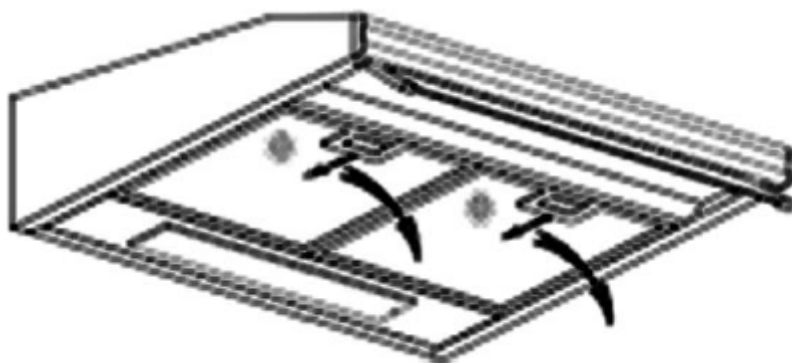
Pouijte neutrální čisticí prostředky a nepoužívejte silné chemikálie, silné domácí čisticí prostředky nebo produkty obsahující drsné částice, které by mohly ovlivnit vzhled spotřebiče a odstranit nápisy na ovládacím panelu a zneplatnit záruku.

MŘÍŽKOVÉ TUKOVÉ FILTRY

Filtry lze čistit rukou. Ponořte je na 3 minuty do vody s čisticím prostředkem rozpouštějícím tuky a poté je vykartáčujte měkkým kartáčem. Netlačte příliš, aby se filtry nepoškodily. (Nechte přirozeně uschnout mimo přímé sluneční světlo)

Filtry je nutné mýt odděleně od mytí nádobí a příborů. Doporučuje se nepoužívat prostředky pro oplachování.

- Odstranění filtrů podle pokynů v obrázku níže.
- Nepoužívejte drsné čisticí prostředky, které by mohly poškodit digestoř.



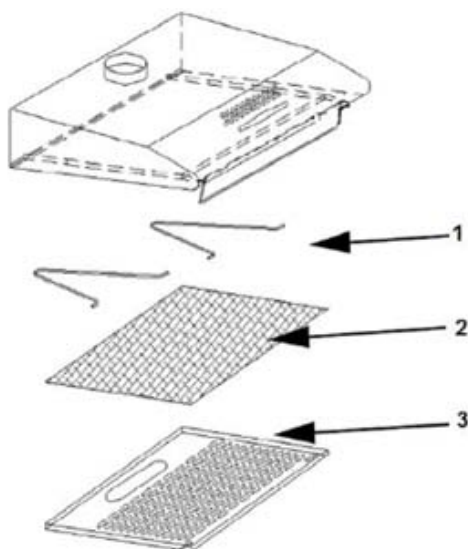
INSTALACE MŘÍ KOVÝCH TUKOVÝCH FILTRŮ

- Instalace filtrů se provádí ve čtyřech krocích.
 - Vložte filtr šikmo do drážek v zadní části digestoře.
 - Stiskněte tlačítko na držadle filtru.
 - Když filtr zapadne na své místo, uvolněte držadlo.
 - Opakujte instalaci pro všechny filtry.

UHLÍKOVÝ FILTR

Filtr z aktivního uhlí se používá pro zachycení pachů. Normálně by měl být tento filtr měněn za tři až šest měsíců, v závislosti na způsobu vaření. Postup instalace filtru z aktivního uhlí je popsán dále.

1. Odstraňte tukový filtr.
2. Položte filtr z aktivního uhlí na tukový filtr.
3. Upevněte řádně uložený uhlíkový filtr malým ocelovým drátem.
4. Namontujte zpět tukový filtr.
5. Uhlíkové filtry používejte pouze v režimu recirkulace.



1 Ocelová vzpěra


2 Uhlíkový filtr

3 Tukový filtr

POZNÁMKA:

- Zkontrolujte, že je filtr správně usazen. Jinak se uvolní, což může být nebezpečné.
- Po připojení filtru z aktivního uhlí se síla sání sníží.

VÝMĚNA ŽÁROVKY

<p>Důležité:</p> 	<ul style="list-style-type: none"> ✧ Žárovku musí vyměnit výrobce, jeho servisní zástupce nebo podobná kvalifikovaná osoba. ✧ Před jakoukoliv údržbou spotřebiče vždy vypněte napájení elektrickým proudem. Před tím, než se žárovky dotknete, zkontrolujte, že je zcela vychladlá. ✧ Při manipulaci se žárovkou ji držte hadrem nebo pracujte v rukavicích, aby se na žárovku nedostal pot, který by zkrátil životnost žárovky.
------------------------------------------------------------------------------------------------------	-------------------------------------------------------------------------------------------------------------------------------------------------------------------------------------------------------------------------------------------------------------------------------------------------------------------------------------------------------------------------------------------------------------------------------------------------------------------

Výměna žárovky:

*Před výměnou žárovky zkontrolujte, že je spotřebič odpojen od napájení.

*Šroubovákem povolte samořezné šrouby ST4*8MM (2 kusy) z panelu světla a vytáhněte objímku žárovky. Otevřete skříňku se svorkami, které připojují vodič, odpojte konektor vodiče a vyměňte žárovku.

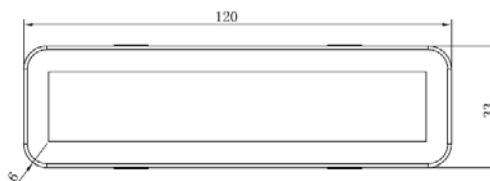
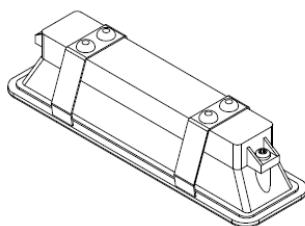
• ILCOS D kód pro toto světlo je: DBS-2.5/65-H-120/33

– LED moduly – světla


– Max. příkon: 2,5 W

– Napětí: AC 220–240 V

– Rozměry:



OCHRANA ŽIVOTNÍHO PROSTŘEDÍ

	<p>Tento produkt je označen symbolem pro tříděný odpad elektronického vybavení. To znamená, že se tento produkt nesmí likvidovat spolu s komunálním odpadem, ale musí být odevzdán do sběrného dvora v souladu se směrnicí 2012/19/EU. Produkt bude poté recyklován nebo rozebrán, aby se minimalizoval dopad na životní prostředí. Elektrické a elektronické produkty mohou být nebezpečné pro životní prostředí a lidské zdraví, protože obsahují nebezpečné látky. Více informací zjistíte u vašich místních nebo oblastních úřadů.</p>
-----------------------------------------------------------------------------------	--------------------------------------------------------------------------------------------------------------------------------------------------------------------------------------------------------------------------------------------------------------------------------------------------------------------------------------------------------------------------------------------------------------------------------------------------------------------------------------------------------------------------------------------

POZNÁMKA:

Níže je uvedeno, jak je možné omezit celkový dopad na životní prostředí (např. úsporou energie při vaření).

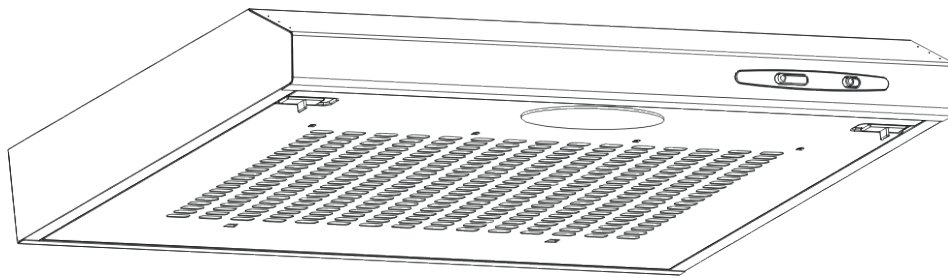
- (1) Namontujte digestoř do správného místa s dobrým větráním.
- (2) Pravidelně digestoř čistěte, aby nebylo blokováno proudění vzduchu.
- (3) Nezapomeňte po vaření vypnout světlo digestoře.
- (4) Nezapomeňte po vaření vypnout digestoř.

INFORMACE PRO ROZEBRÁNÍ

Nerozebírejte spotřebič jiným způsobem, než je uvedeno v návodu. Digestoř nesmí rozebírat uživatel. Na konci životnosti nesmí být spotřebič likvidován společně s komunálním odpadem. Pokyny pro likvidaci získáte u místních úřadů nebo prodejce.

Emhætte

Betjeningsvejledning



Indhold

1	Sikkerhedsanvisninger
2	Installation
3	Kom godt i gang med emhætten
4	Fejlfinding
5	Vedligeholdelse og rengøring
6	Beskyttelse af miljøet

SIKKERHEDSANVISNINGER

I denne vejledning anvises den korrekte installation og brug af emhætten. Læs dette omhyggeligt før brug, også selv om du er bekendt med produktet. Vejledningen skal opbevares et sikkert sted til fremtidige opslag.

Du må aldrig:

- Prøv ikke at bruge emhætten uden fedtfiltere eller hvis filterne er for fedtede!
- Installer ikke over et komfur med en kraftig grill.
- Efterlad ikke stegepander i brug uden opsyn, da overophedet fedtstof eller olie kan bryde i brand.
- Efterlad aldrig åbne flammer under emhætten.



- Forsøg ikke at bruge emhætten, hvis den er beskadiget.
- Flambér ikke under emhætten.
- **FORSIGTIG:** De tilgængelige dele kan blive varme, når de anvendes med køkkenmaskiner.
- Mindste afstand mellem kogepladen til gryder og pander og laveste del af emhætten. (Hvis emhætten er placeret over et gaskomfur, skal den mindste afstand være mindst 65 cm)
- Luften må ikke ledes ud i en afgang, der bruges til udledning af røggasser fra komfurer, der brænder gas eller andre brændstoffer.



Du skal altid:

- **Vigtigt!** Sluk altid for elforsyningen ved hovedkontakten under installation og vedligeholdelse som for eksempel udskiftning af en lampepære.
- Emhætten skal installeres i henhold til installationsvejledningen, og alle mål skal overholdes.
- Alt installationsarbejde skal udføres af en kompetent person eller en kvalificeret elektriker.
- Vær omhyggelig ved bortskaffelse af emballagematerialet. Det er farligt for børn.
- Vær opmærksom på de skarpe kanter inde i emhætten, især under installation og rengøring.
- Når emhætten er placeret over et gaskomfur, skal den mindste afstand mellem gryder og pander på kogepladen og emhættens laveste del være:

Gaskomfurer:	75 cm
Elkomfurer:	65 cm
Kul eller oliekomfurer:	75 cm
- Sørg for, at aftrækket ikke har skarpere bøjninger end 90 grader, da det ellers forringer emhættens virkningsgrad.
- **Advarsel:** Hvis skruerne eller monteringsbeslaget ikke monteres i henhold til denne vejledning, kan det indebære fare for el-ulykker.

Du skal altid:

- Sæt altid låg på gryder og pander under madlavning på et gaskomfur.
- I udsugningsfunktionen suges luften i lokalet ud af emhætten. Kontroller, at der er korrekte udluftningsforhold. Emhætten fjerner lugte fra lokalet men ikke damp.
- Emhætten er kun til brug i private husholdninger.



- Hvis netledningen er beskadiget, skal den udskiftes af producenten, dennes serviceagent eller en lignende kvalificeret fagperson for at undgå fare.
- Denne maskine kan anvendes af børn fra en alder på 8 år og personer med nedsatte fysiske, sensoriske eller mentale evner eller med en manglende erfaring og viden, forudsat at de er under opsyn og modtager vejledning i sikker brug af apparatet, samt at de forstår de farer, der er forbundet dermed. Børnene må ikke lege med apparatet. Rengøring og vedligeholdelse må ikke udføres af børn uden opsyn.



- Advarsel: Før du åbner til klemrækkerne, skal alle forsyningskredse være afbrudt.

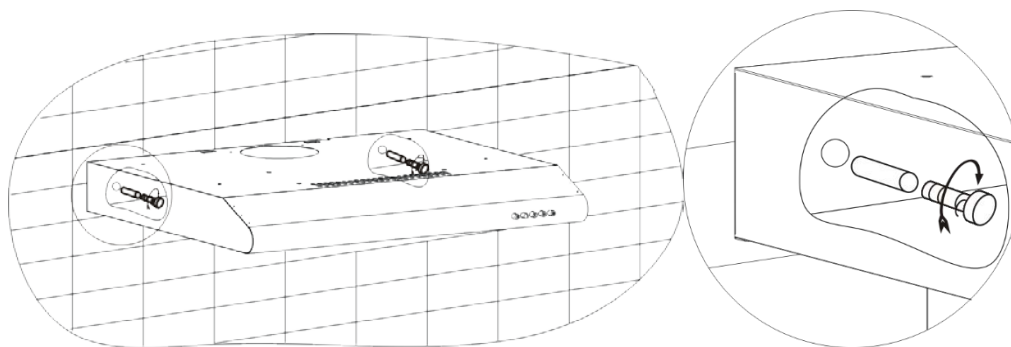
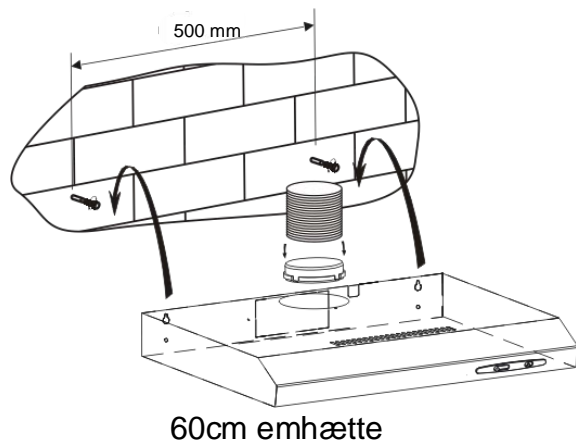
Du skal altid:

- Forsigtig: Apparatet og dets tilgængelige dele kan blive varme i brug. Pas på ikke at berøre varmeelementerne. Børn under 8 år skal holdes på afstand, medmindre de er under konstant opsyn.
- Der skal være tilstrækkelig udluftning af lokalet, når emhætten bruges samtidigt med apparater, der bruger gas eller andre brændstoffer.
- Det er forbundet med brandfare, hvis rengøringen ikke udføres i henhold til vejledningen.
- Reglerne for luftudsugning er opfyldt.
- Rengør apparatet regelmæssigt ved at følge metoden i kapitlet VEDLIGEHOLDELSE.
- Af sikkerhedsgrunde må der kun bruges den samme størrelse montageskruer, som anbefales i denne vejledning.
- Oplysninger om rengøringsmetode og -hyppighed henvises til afsnittet om rengøring i betjeningsvejledningen.
- Rengøring og vedligeholdelse må ikke udføres af børn uden opsyn.
- Når emhætten og apparater, der bruger anden energi en el, anvendes samtidigt, må undertrykket i lokalet ikke overstige 4 Pa (4×10^{-5} bar).
- ADVARSEL: Brandfare: Stil ikke genstande på komfurets varme flader.
- Der må ikke bruges damprenser.
- Sluk ALDRIG en brand med vand men sluk apparatet og tildæk derefter flammerne med for eksempel et låg eller et brandtæppe.

MONTERING

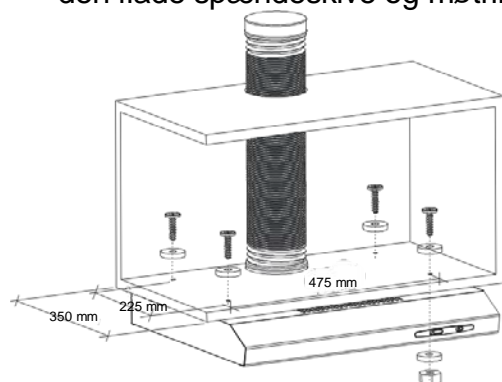
A. INSTALLATION (Vægmontering)

- (1) Find placeringen af hullerne til montering af emhætten.
- (2) Monter emhætten på væggen med 4 skruer (4x 30mm)



B. INSTALLATION (Skabsmontering)

- (1) Monter emhætten på skabet med 4 bolte (4x35mm), 4 møtrikker og flade spændeskiver. Monter emhætten på skabet ved at sætte 4 bolte og 4 spændeskiver gennem skabets overside ned i emhætten. Inde i emhætten sættes den flade spændeskive og møtrikken på bolten for at holde den på skabet.



Støj: Der er 2 udsugningsmåder, nemlig "vandret udsugning" og "lodret udsugning". Vær opmærksom på valget af udsugningsmetode ved installationen.

Vandret udsugning: Se illustration 4A, og brug afdækningen til at lukke afgangen på oversiden, så luften kan suges ud fra bagsiden.

Lodret udsugning: Se illustration 4B, og brug afdækningen til at lukke afgangen på bagsiden, så luften kan suges ud fra oversiden.

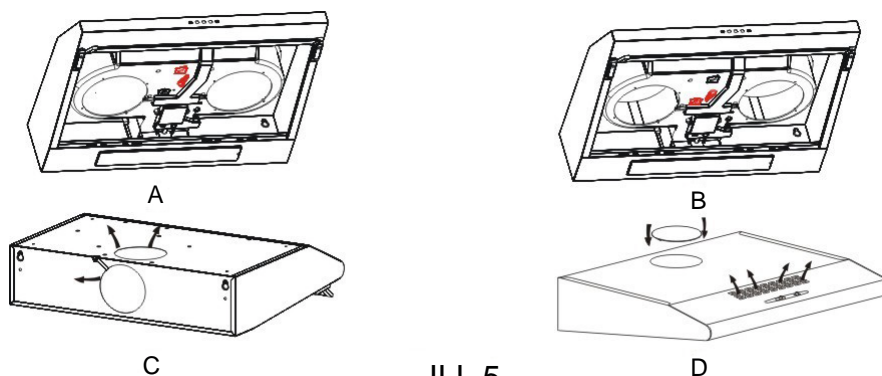


ILL 4


Indstilling af luftudsugningen

Udsugning af luft til det fri: Drej justeringsknappen til udendørspositionen (ill. 5A), monter afgangen, tænd for emhætten, og luften blæses ud gennem afgangen til fri luft.

Udsugning af luft til lokalet: Drej justeringsknappen til indendørspositionen (ill. 5B), monter dækslet på afgangen, tænd for emhætten, og luften kan blæses ud gennem afgangen til lokalet.



ILL 5

<p>ADVARSEL:</p> 	<ul style="list-style-type: none">➤ Af sikkerhedsgrunde må der kun bruges den samme størrelse montageskruer, som anbefales i denne vejledning.➤ Hvis skruerne eller monteringsbeslaget ikke monteres i henhold til denne vejledning, kan det medføre elektriske farer.
------------------------------------------------------------------------------------------------------	-----------------------------------------------------------------------------------------------------------------------------------------------------------------------------------------------------------------------------------------------------------------------------------------------

Kom godt i gang med emhætten

Tænd/sluk-kontakt

Der er 3 hastigheder på motoren og en afbryderkontakt til lyset.

Betjen emhætten med skydekontakten.

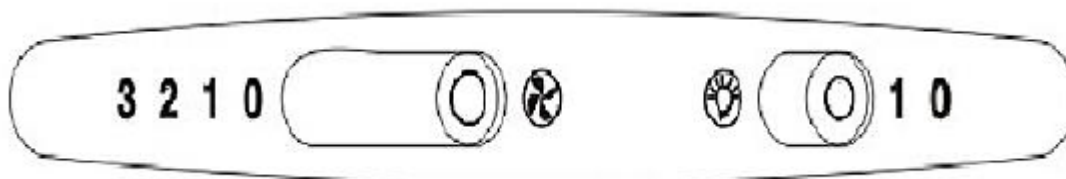
Motorbetjening

- 0- Slukket
- 1- Lav hastighed
- 2- Mellem hastighed
- 3- Høj hastighed

Betjening af lys

0- Slukket

1- Tændt



FEJLFINDING

Fejl	Mulig årsag	Løsning
Lyset er tændt, men motoren kører ikke.	Blæseren er slukket.	Vælg en position på blæserkontakten.
	Blæserkontakten fungerer ikke.	Kontakt servicecenteret.
	Motoren fungerer ikke.	Kontakt servicecenteret.
Lyset fungerer ikke, motoren fungerer ikke.	Elinstallationens sikringer er sprunget.	Nulstil/udskift sikringerne.
	Ledningen til elnettet er løs eller afbrudt	Monter ledningen til stikkontakten. Tænd for stikkontakten.
Olielækage	Kontraventilen og afgangen er ikke tilstrækkeligt tætnet	Tag kontraventilen ned og pak den med et tætningsmiddel.
	Lækage fra skorstenens og dækslets forbindelser	Tag skorstenen ned og tætn den.
Lyset fungerer ikke	Pærerne itu/defekte	Udskift pærerne som vist i denne vejledning.
Utilstrækkelig udsugning	Afstanden mellem emhætten og gasblusset er for stor	Monter emhætten igen i den rigtige afstand.
Emhætten hælder	Monteringsboltene/skruerne er ikke spændt nok.	Spænd den løse bolt/skrue og sæt emhætten vandret.

BEMÆRK:



Alle elreparationer på dette apparat skal overholde alle gældende love og regler. Kontakt servicecenteret i tilfælde af tvivl om dette. Afbryd altid enheden fra lysnettet, før enheden åbnes.

VEDLIGEHOLDELSE OG RENGØRING

Forsigtig:

- Før vedligeholdelse og rengøring skal emhætten afbrydes fra lysnettet. Kontroller, at emhætten er afbrudt ved stikkontakten, og at stikket er taget ud.



- De udvendige overflader er modtagelige for ridser og afskrabninger, så følge rengøringsvejledningen for at sikre de bedste mulige resultater

uden beskadigelse.

GENERELT

Rengøring og vedligeholdelse skal udføres, når apparatet er koldt, især ved rengøring. Undgå brug af meget sure eller basiske stoffer (citronsaft, eddike ol.) på overfladerne.

RUSTFRIT STÅL

Det rustfrie stål skal rengøres regelmæssigt (for eksempel hver uge) for at sikre en lang levetid. Aftør det med en ren, tør klud. Et specielt middel til rustfrit stål kan anvendes.

BEMÆRK:

Aftørringen skal udføres op langs af børsteretningen på det rustfrie stål for at forhindre grimme ridsemærker på kryds og tværs af børstestrukturen.

BETJENINGSPANELETS OVERFLADE

Det indfældede betjeningspanelet kan rengøres med varmt sæbevand. Sørg for, at kluden er ren og godt vredet før rengøring. Brug en tør blød klud til at fjerne overskydende fugt efter rengøring.

Vigtigt

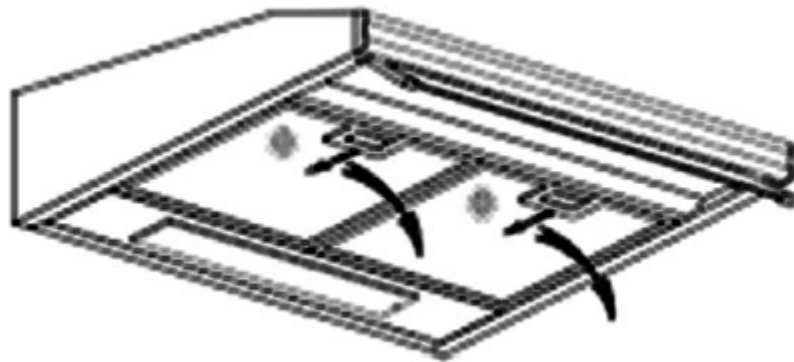
Brug neutrale rengøringsmidler og undgå brug af skrappe rengøringskemikalier, stærke husholdningssæber eller produkter med skuremidler. Da det vil påvirke apparatets udseende og eventuelt fjerne påskrifter eller grafik på betjeningspanelet. Desuden bortfalder producentens garanti.

FEDTFILTRE

Filtrene kan renses i hånden. Læg dem i blød i cirka 3 minutter i vand med et fedtopløsende rengøringsmiddel, og børst dem derefter forsigtig med en blød klud. Tryk ikke for hård, undgå skader. (Lad apparatet tørre af sig selv, beskyttet mod direkte sollys)

Filtrene skal skylles særskilt fra service og køkkenredskaber. Det frarådes at bruge skyllemiddel.

- Fjernelse af filtrene som i nedenstående ill.
- Vær venlig ikke at bruge skuremidler, da det vil beskadige emhætten.



MONTERING AF FEDTFILTRE

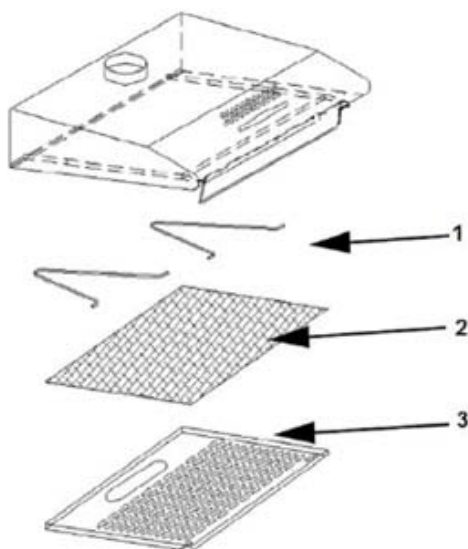
- Monter filtrene i følgende fire trin.
 - Filtrene sætte skråt ind i slidserne bag på emhætten.
 - Tryk på knappen på filterets håndtag.
 - Slip håndtaget, når filteret ligger hvor det skal.
 - Gentag ved montering af alle filtre.

KULFILTER

Der kan anvendes et aktivt kulfilter til at opfange lugte. Normalt skal filtre med aktivt kul udskiftes hver tredje eller sjette måned afhængigt af hvor ofte det bruges.

Montering af aktivt kulfilter sker som følger.

1. Aftag fedtfilteret.
2. Sæt kulfilteret på fedtfilteret.
3. Fastgør det korrekt tilpassede kulfilter med den lille stålwire.
4. Monter fedtfilteret igen.
5. Kulfiltre må kun bruges til recirkulation.



1 Stålbøjle


2 Kulfilter

3 Fedtfilter

BEMÆRK:

- Kontroller, at filteret er forsvarlig fastlåst. Ellers kan det løsne sig og udgøre en fare.
- Når filteret med aktivt kul er påsat, reduceres udsugningskraften.

UDSKIFTNING AF LAMPEPÆRE

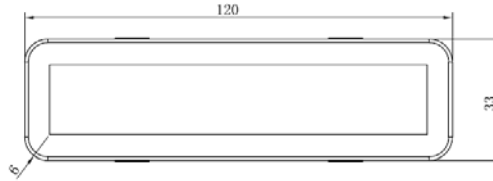
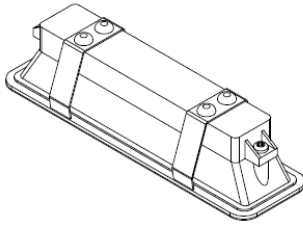
<p>Vigtigt:</p> 	<ul style="list-style-type: none"> ✧ Pæren skal udskiftes af producenten, dennes serviceværksted eller tilsvarende kvalificerede personer. ✧ Sluk altid for lysnettet, før der udføres arbejder på apparetet. Ved håndtering af pæren skal det sikres, at den er kølet helt af før den berøres med hænderne. ✧ Ved håndtering af halogenpærer med en klud eller handsker skal det sikres, at sveden ikke kommer i kontakt med pæren, da det kan forkorte pærens levetid.
-----------------------------------------------------------------------------------------------------	-----------------------------------------------------------------------------------------------------------------------------------------------------------------------------------------------------------------------------------------------------------------------------------------------------------------------------------------------------------------------------------------------------------------------------------------------------------------------------------------------------------

Udskiftning af pærer:

*Før udskiftning af pæren skal det sikres, at apparatets stik er taget ud af kontakten.

*Men skruetrækkeren løsnes den selvskærende ST4*8MM skrue (2 stk) fra belysningspanelet, og lysarmaturet tages ud. Åbn den klemkasse, der er forbundet med ledningen, afbryd ledningsstikket og udskift pæren.

- ILCOS D koden for denne pære er: DBS-2.5/65-H-120/33
- LED moduler –rektangellampe
- Maks effekt: 2,5 W
- Spændingsområde: AC 220-240V
- Mål:



MILJØBESKYTTELSE:

	<p>Dette produkt er mærket med symbolet på selektiv sortering af elektronikaffald. Det betyder, at dette produkt ikke må bortskaffes med husholdningsaffald men skal understøttes af et system til selektiv indsamling i henhold til direktiv 2012/19/EU. Det genbruges eller adskilles derefter for at minimere miljøbelastningen. Elektriske og elektroniske produkter er potentielt farlige for miljøet og det menneskelige helbred på grund af indholdet af farlige stoffer. Flere oplysninger kan fås ved at kontakte de lokale eller regionale myndigheder.</p>
-----------------------------------------------------------------------------------	-----------------------------------------------------------------------------------------------------------------------------------------------------------------------------------------------------------------------------------------------------------------------------------------------------------------------------------------------------------------------------------------------------------------------------------------------------------------------------------------------------------------------------------------------------------------------

BEMÆRK:

I det følgende vises, hvordan den samlede belastning af miljøet (for eksempel energiforbruget) reduceres i madtilberedningen).

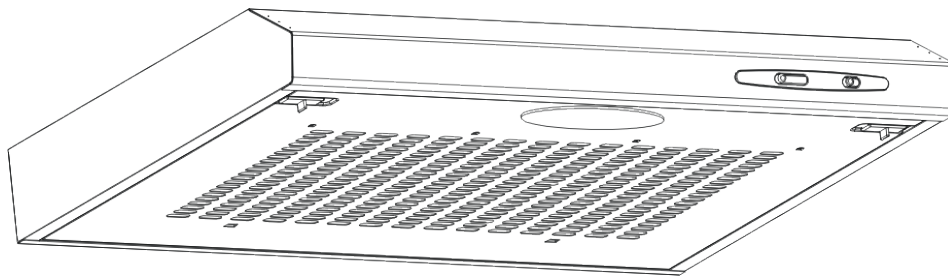
- (1) Installer emhætten på et velegnet, rent sted med en effektiv udsugning.
- (2) Rengør emhætten med jævne mellemrum, så luftkanalerne ikke blokeres.
- (3) Husk at slukke emhættens lys efter madlavningen.
- (4) Husk at slukke emhætten efter madlavningen.

OPLYSNINGER VEDRØRENDE ADSKILLELSE

Apparatet må ikke adskilles på nogen anden måde end beskrevet i brugervejledningen. Apparatet må ikke adskilles af brugeren. Ved afslutningen af apparatets levetid må apparatet ikke bortskaffes med almindeligt husholdningsaffald. Undersøg dette med din lokale myndighed eller indsamler for genbrugsrådgivning.

Abzugshaube

Bedienungshandbuch



Inhalt

1	Sicherheitshinweise
2	Installation
3	Inbetriebnahme der Abzugshaube
4	Fehlerbehebung
5	Wartung und Reinigung
6	Umweltschutz

SICHERHEITSHINWEISE

Dieses Handbuch beschreibt die ordnungsgemäße Installation und die Verwendung der Dunstabzugshaube. Lesen Sie die Bedienungsanleitung daher sorgfältig durch, auch wenn Sie das Produkt bereits kennen. Das Handbuch sollte für zukünftige Nachschlagezwecke gut aufbewahrt werden.

Was Sie auf keinen Fall tun sollten:

- Lassen Sie die Abzugshaube nicht ohne Fettfilter oder wenn diese übermäßig fettig sind laufen.
- Nicht über einem Herd mit hochgelagertem Grill aufhängen.
- Bratpfannen mit heißem Fett nicht unbeaufsichtigt lassen, weil dieses Feuer fangen könnte.
- Kein offenes Feuer unter der Abzugshaubeentzünden.



- Abzugshaube außer Betrieb nehmen, wenn sie beschädigt ist.
- Keine Gerichte unter der Abzugshaube flambieren.
- **ACHTUNG:** Es kann sein, dass bestimmte Teile der Abzugshaube beim Kochen heiß werden.
- Mindestabstand zwischen Kochfeld und Unterteil der Abzugshaube einhalten. (Wird die Abzugshaube über einem Gasherd angebracht, sollte der Abstand mindestens 65 cm betragen.)
- Die Abluft sollte nicht in einen Rauchfang geleitet werden, der auch für die Abgase einer Gas- oder Ölheizung verwendet wird.



Was Sie immer tun sollten:

- **Wichtig!** Trennen Sie das Gerät vor der Installation und Wartung (Austausch einer Glühbirne) immer von der Stromversorgung.
- Die Abzugshaube muss gemäß der Installationsanleitung aufgehängt und alle Maße müssen eingehalten werden.
- Sämtliche Installationsarbeiten müssen durch einen Fachmann oder qualifizierten Elektriker vorgenommen werden.
- Verpackungsmaterial ordentlich entsorgen. Es kann für Kinder gefährlich werden.
- Bei der Installation und Reinigung auf scharfe Kanten im Inneren der Abzugshaube achten.
- Wird die Abzugshaube über einem Gasherd angebracht, muss der Mindestabstand zwischen Kochtöpfen und Unterteil der Abzugshaube wie folgt sein:

Gasherd:	75 cm
Elektroherd:	65 cm
Mit Kohle oder Öl befeuerte Herde:	75 cm
- Darauf achten, dass der Abluftkanal keine Knicke hat, die 90 Grad überschreiten, da dies die Effizienz der Abzugshaube reduziert.
- **Warnung:** Werden Schrauben nicht richtig festgezogen oder wird das Gerät nicht gemäß dieser Anleitung eingebaut, können Gefahren durch elektrischen Strom entstehen.

Was Sie immer tun sollten:

- Töpfe und Pfannen beim Kochen auf einem Gasherd immer mit einem Deckel schließen.
- Ist die Abzugshaube eingeschaltet, wird die Raumluft abgesaugt. Achten Sie darauf, dass für eine ausreichende Belüftung gesorgt ist. Die Abzugshaube saugt Gerüche ab, aber keinen Wasserdampf.
- Die Abzugshaube ist ausschließlich für den Hausgebrauch bestimmt.



- Falls das Netzkabel beschädigt ist, wenden Sie sich bitte an den Hersteller, seinen Kundendienst oder ähnlich qualifizierte Personen, um es zu ersetzen und eine Gefährdung zu vermeiden.
- Dieses Gerät kann von Kindern ab 8 Jahren und Personen mit eingeschränkten körperlichen, sensorischen oder geistigen Fähigkeiten oder mangelnder Erfahrung und mangelndem Wissen benutzt werden, wenn diese in die sichere Bedienung des Geräts eingewiesen wurden oder beaufsichtigt werden. Kinder dürfen nicht mit dem Gerät spielen. Reinigung und Pflege darf nicht von Kindern ohne Aufsicht erfolgen.



- **Warnung:** Bevor mögliche Anschlüsse zugänglich werden, müssen sämtliche Stromzuführleitungen getrennt werden.

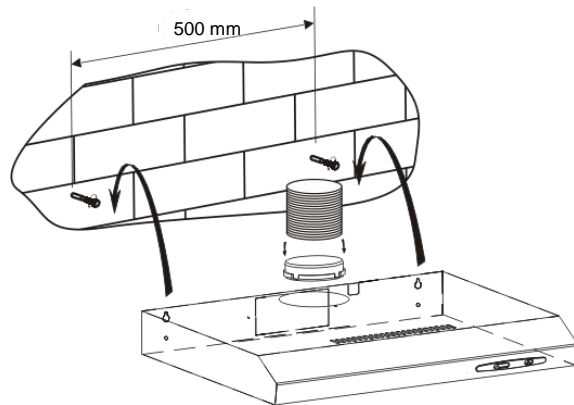
Was Sie immer tun sollten:

- **Achtung:** Das Gerät und zugängliche Teile können während des Betriebs heiß werden. Seien Sie daher vorsichtig, wenn Sie diese Teile berühren müssen. Kinder unter acht Jahren sollten vom Gerät ferngehalten werden, es sei denn, sie werden permanent beaufsichtigt.
- Für ausreichende Belüftung sorgen, wenn die Abzugshaube zusammen mit Geräten betrieben wird, die Gas oder Benzin verbrennen.
- Es besteht ein Brandrisiko, wenn die Reinigung nicht entsprechend dieser Anweisungen durchgeführt wird.
- Vorschriften zur Abluft müssen befolgt werden.
- Reinigen Sie das Gerät regelmäßig entsprechend der Anweisungen im Kapitel WARTUNG.
- Verwenden Sie aus Sicherheitsgründen für die Montage nur Schrauben in der Größe, die in diesem Handbuch empfohlen wird.
- Eine detaillierte Anweisung zur Reinigung und deren Häufigkeit finden Sie im Abschnitt „Wartung und Reinigung“ im Bedienungshandbuch.
- Die Reinigung und Wartung des Gerätes darf von Kindern nicht ohne Aufsicht durchgeführt werden.
- Wird die Abzugshaube zusammen mit Geräten betrieben, die nicht durch Strom, sondern durch andere Energiequellen versorgt werden, darf der Unterdruck im Raum 4 Pa (4 x 10⁻⁵ bar) nicht übersteigen.
- **WARNUNG: Feuergefahr:** Keine Gegenstände auf Kochfeldern ablegen.
- Keinen Dampfreiniger verwenden.
- Löschen Sie ein Feuer **NIEMALS** mit Wasser, sondern schalten Sie das Gerät aus und decken die Flammen dann ab, z. B. mit einem Deckel oder einer Löschdecke.

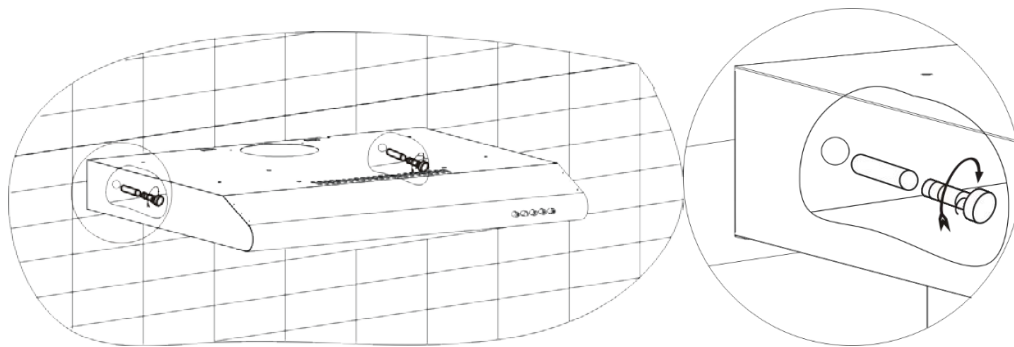
INSTALLATION

A. INSTALLATION (Wandmontage)

- (1) Markieren Sie die Bohrlöcher für die Aufhängung der Abzugshaube.
- (2) Befestigen Sie die Abzugshaube mit vier Schrauben (4x 30 mm) an der Wand.

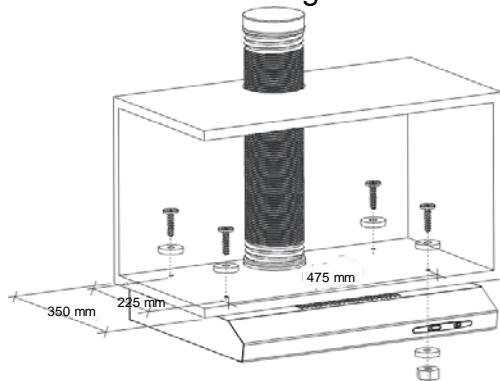


60 cm Abzugshaube



B. INSTALLATION (Gehäusemontage)

- (1) Montieren Sie die Abzugshaube mit vier Schrauben (4x35 mm), vier Muttern und Unterlegscheiben. Befestigen Sie die Abzugshaube im Gehäuse, indem Sie die vier Schrauben mit den vier Unterlegscheiben oben durch das Gehäuse und durch die Abzugshaube stecken. Befestigen Sie die Schrauben dann im Inneren der Abzugshaube mit Unterlegscheiben und Muttern.



60 cm Abzugshaube

Hinweis: Es gibt zwei Belüftungsmethoden in horizontaler oder vertikaler Ausrichtung. Berücksichtigen Sie die Belüftungsausrichtung bei der Installation.

Horizontale Belüftung: Siehe Abb. 4A, bitte verschließen Sie den Auslass auf der Oberfläche, sodass die Luft über die Hinterseite abgesaugt werden kann.

Vertikale Belüftung: Siehe Abb. 4B, bitte verschließen Sie den Auslass auf der Rückseite, sodass die Luft über die Oberseite abgesaugt werden kann.

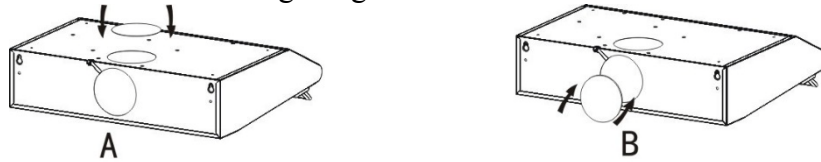


ABB 4.

Einstellen der Luftzirkulation

Luftzirkulation nach draußen: Stellen Sie den Regler auf Außenzirkulation (Abb.5A) und installieren Sie den Abluftkanal. Schalten Sie die Abzugshaube ein und die Luft wird nach draußen geleitet.

Luftzirkulation nach innen: Stellen Sie den Regler auf Innenzirkulation (Abb.5B) und setzen Sie den Deckel auf den Abluftkanal nach außen. Schalten Sie die Abzugshaube ein und die Luft wird nach innen geleitet.

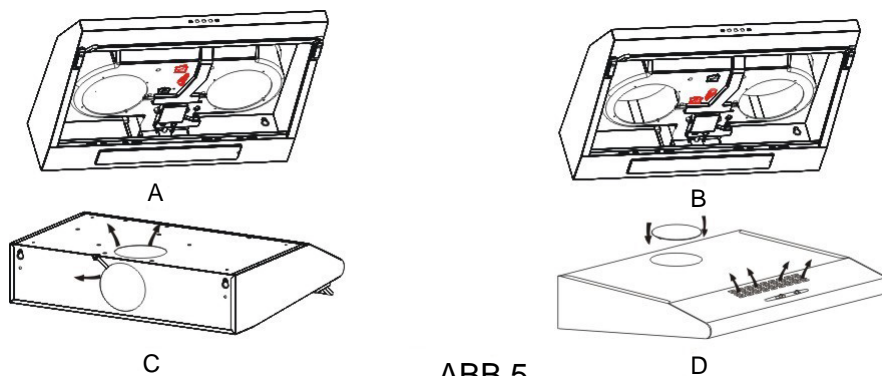



ABB 5.

WARNUNG: 	<ul style="list-style-type: none"> ➤ Verwenden Sie aus Sicherheitsgründen für die Montage nur Schrauben in der Größe, die in diesem Handbuch empfohlen wird. ➤ Werden Schrauben nicht richtig festgezogen oder wird das Gerät nicht gemäß dieser Anleitung eingebaut, können Gefahren durch elektrischen Strom entstehen.
------------------------------------------------------------------------------------------------------	---------------------------------------------------------------------------------------------------------------------------------------------------------------------------------------------------------------------------------------------------------------------------------------------------------------------------------------------------

Inbetriebnahme der Abzugshaube

Wechselschalter

Es gibt einen Schalter für die drei Lüftergeschwindigkeiten und einen zum Ein- und Ausschalten der Lampe.

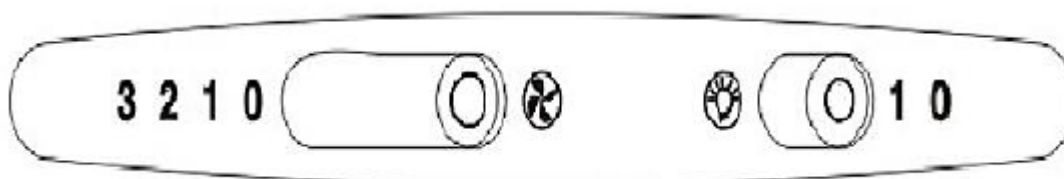
Abzugshaube über den Wechselschalter einschalten.

Lüftergeschwindigkeit

- 0- aus
- 1- Lüftergeschwindigkeit niedrig
- 2- Lüftergeschwindigkeit mittel
- 3- Lüftergeschwindigkeit hoch

Licht Ein/Aus

- 0- aus
- 1- an



FEHLERBEHEBUNG

FEHLER	Mögliche Ursachen	Lösung
Licht an, aber Motor läuft nicht.	Ventilator ist ausgeschaltet.	Lüftergeschwindigkeit auswählen.
	Lüfterschalter ist kaputt.	Kundendienstzentrum kontaktieren.
	Motor läuft nicht.	Kundendienstzentrum kontaktieren.
Licht und Motor funktionieren nicht.	Stromsicherung ist durchgebrannt.	Sicherungen wieder einschalten/austauschen.
	Stromkabel ist lose oder nicht angeschlossen.	Kabel wieder in die Steckdose stecken. Stromversorgung einschalten.
Es tritt Öl aus.	Rückschlagventil und Auslass sind nicht dicht.	Rückschlagventil abnehmen und mit Dichtmaterial abdichten.

	Verbindung zwischen Abzug und Abzugshaube ist undicht.	Abzug abnehmen und abdichten.
Licht funktioniert nicht.	Kaputte/fehlerhafte Glühbirnen	Glühbirnen gemäß dieser Anweisung austauschen.
Absaugen nicht stark genug.	Abstand zwischen Abzugshaube und Kochfeld ist zu groß.	Abzugshaube erneut mit dem richtigen Abstand anbringen.
Abzugshaube hängt herunter.	Befestigungsschraube ist nicht fest.	Schraube anziehen, sodass die Abzugshaube wieder gerade hängt.

HINWEIS:



Alle elektrischen Reparaturen dieses Geräts müssen der geltenden regionalen und bundesweiten Gesetzgebung entsprechen. Wenn Sie Zweifel haben, kontaktieren Sie den Kundendienst, bevor sie die oben stehenden Maßnahmen durchführen. Gerät immer zuerst von der Stromversorgung trennen, bevor das Gehäuse geöffnet wird.

WARTUNG UND REINIGUNG

Vorsicht:

- Vor der Wartung oder Reinigung die Abzugshaube von der Stromversorgung trennen. Überprüfen Sie, ob die Abzugshaube ausgeschaltet ist und ob der Stecker aus der Steckdose gezogen ist.
- Da die äußeren Oberflächen empfindlich für Kratzer sind, befolgen Sie diese Reinigungshinweise für ein optimales Ergebnis ohne Beschädigungen.



ALLGEMEINES

Die Reinigung und Wartung sollte erfolgen, wenn das Gerät abgekühlt ist. Keine Alkali- oder säurehaltigen Mittel (Zitronensaft, Essig usw.) auf der Oberfläche hinterlassen.

EDELSTAHL

Die Oberfläche aus Edelstahl muss regelmäßig (z. B. wöchentlich) gereinigt werden, damit sie lange hält. Mit einem weichen Tuch abtrocknen. Es kann ein spezieller Edelstahlreiniger verwendet werden.

HINWEIS:

Wischen Sie immer in der Richtung der Körnung des Edelstahls, sodass keine unschönen Kratzmuster entstehen.

OBERFLÄCHE DES BEDIENFELDS

Das eingelassene Bedienfeld kann mit warmem Seifenwasser gereinigt werden. Das saubere Tuch vor dem Reinigen gut ausdrücken. Restliche Feuchtigkeit mit einem weichen trockenen Tuch abreiben.

Wichtig

Verwenden Sie neutrale Reinigungsmittel und keine aggressiven Chemikalien oder

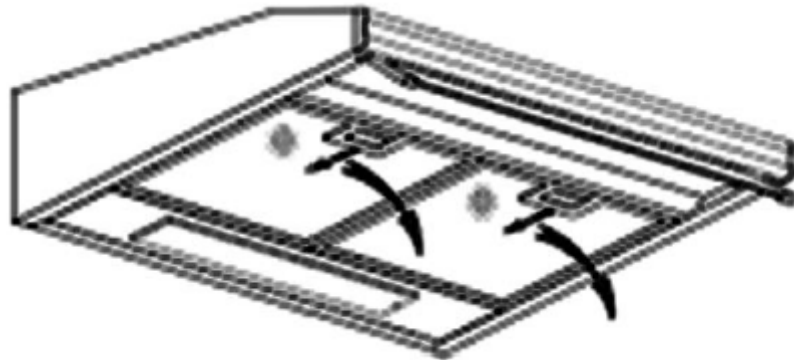
Scheuermittel, da diese das Aussehen des Geräts verändern und Aufdrucke entfernen können. Außerdem verfällt dadurch die Garantie des Herstellers.

FETTFILTER

Die Filter können von Hand gereinigt werden. Filter in Wasser mit fettlösendem Reiniger eintauchen und zirka drei Minuten lang wirken lassen. Dann vorsichtig mit einer weichen Bürste abbürsten. Nicht zu viel Druck ausüben, da dies die Filter beschädigen kann. (An der Luft, nicht in direktem Sonnenlicht, trocknen lassen.)

Filter sollten getrennt von anderen Küchenutensilien gereinigt werden. Eine Verwendung von Klarspüler wird nicht empfohlen.

- Filter wie in der Abbildung unten gezeigt herausnehmen.
- Keine scheuernden Reinigungsmittel verwenden, da diese die Abzugshaube beschädigen.



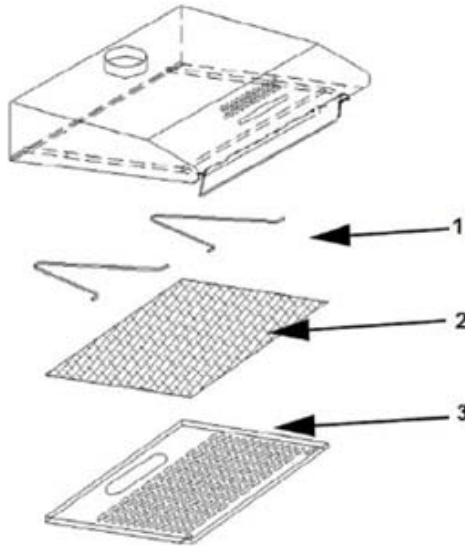
EINSETZEN DER FETTFILTER

- So setzen Sie die Filter in vier Schritten ein:
 - Setzen Sie die Filter in die Schlitze an der Rückseite der Abzugshaube ein.
 - Drücken Sie auf den Knopf am Filtergriff.
 - Lassen Sie den Griff los, sobald sich der Filter in der richtigen Position befindet.
 - Setzen Sie alle Filter auf diese Weise ein.

KOHLEFILTER

Aktivkohlefilter schließen unangenehme Gerüche ein. Normalerweise sollte ein Aktivkohlefilter entsprechend der Kochgewohnheiten alle drei bis sechs Monate gewechselt werden. Den Aktivkohlefilter wie folgt einsetzen:

1. Fettfilter herausnehmen.
2. Aktivkohlefilter auf den Fettfilter legen.
3. Den passend zugeschnittenen Aktivkohlefilter mit dem kleinen Stahldraht befestigen.
4. Fettfilter wieder einsetzen.
5. Kohlefilter nur bei der Umluftmethode verwenden.



1 Befestigungsdraht


2 Kohlefilter

3 Fettfilter

HINWEIS:

- Prüfen Sie, ob der Filter sicher verankert ist. Anderenfalls kann er herausfallen und gefährliche Unfälle verursachen.
- Bei Verwendung eines Aktivkohlefilters wird die Absaugkraft herabgesetzt.

AUSTAUSCH DER LEUCHTMITTEL

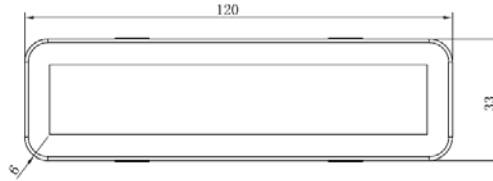
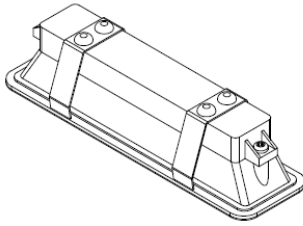
<p>Wichtig:</p> 	<ul style="list-style-type: none"> ✧ Die Lampe muss durch den Hersteller, seinen Kundendienstmitarbeiter oder ähnlich qualifizierte Fachleute ausgetauscht werden. ✧ Gerät immer von der Stromversorgung trennen, bevor Reinigungs-, Wartungs- oder Reparaturarbeiten am Gerät durchgeführt werden. Leuchtmittel vor dem Entfernen vollständig abkühlen lassen, bevor sie angefasst wird. ✧ Leuchtmittel mit einem Tuch oder mit Handschuhen wechseln, damit kein Schweiß damit in Berührung kommt. Dies kann die Lebensdauer der Lampe verkürzen.
------------------------------------------------------------------------------------------------------------	-------------------------------------------------------------------------------------------------------------------------------------------------------------------------------------------------------------------------------------------------------------------------------------------------------------------------------------------------------------------------------------------------------------------------------------------------------------------------------------------------------------------------------------------------------------------------------------

Austausch der Leuchtmittel:


*Vergewissern Sie sich vor dem Austausch der Leuchtmittel, ob das Gerät von der Stromversorgung getrennt wurde.

*Die zwei Blechschrauben (ST4*8MM) aus der Beleuchtungsabdeckung herausdrehen und Abdeckung abnehmen. Öffnen Sie das Kästchen, das mit dem Stromkabel verbunden ist, trennen Sie die Verbindung und tauschen Sie die Lampe aus.

- **ILCOS D Bezeichnung für diese Lampe lautet: DBS-2.5/65-H-120/33**
- LED-Module – rechteckige Lampe
- Max Wattzahl: 2,5 W
- Spannungsbereich: AC 220-240V
- Maße:



UMWELTSCHUTZ:

	<p>Dieses Produkt ist mit diesem Symbol gekennzeichnet, was bedeutet, dass es nicht mit gewöhnlichem Haushaltsabfall entsorgt werden darf. Statt dessen muss es im Einklang mit der EU-Richtlinie 2012/19/EU über eine Sammelstelle für Elektroabfall entsorgt werden. Es wird dann recycelt oder auseinandergebaut, um die Schäden so gering wie möglich zu halten, die elektrische Geräte bedingt durch enthaltene Schadstoffe normalerweise für Umwelt und menschliche Gesundheit bedeuten. Weitere Informationen erhalten Sie bei Ihrer örtlichen Behörde.</p>
-----------------------------------------------------------------------------------	--------------------------------------------------------------------------------------------------------------------------------------------------------------------------------------------------------------------------------------------------------------------------------------------------------------------------------------------------------------------------------------------------------------------------------------------------------------------------------------------------------------------------------------------------------------------

HINWEIS:

Im Folgenden wird erläutert, wie die Umwelt durch den Kochvorgang möglichst wenig belastet wird (z. B. Energieverbrauch).

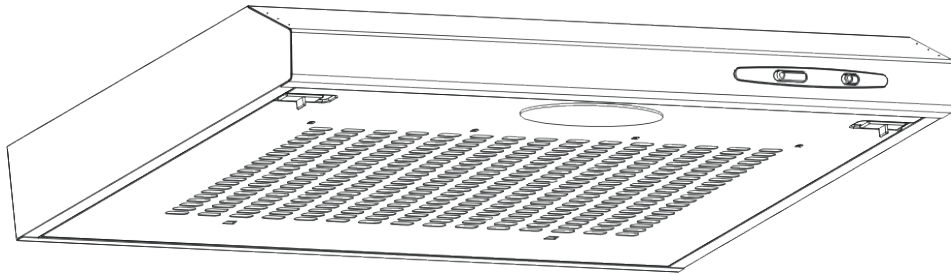
- (1) Die Abzugshaube an einem gut belüfteten Ort installieren.
- (2) Abzugshaube regelmäßig reinigen, sodass die Lüftung nicht blockiert wird.
- (3) Das Licht an der Abzugshaube nach dem Kochen immer ausschalten.
- (4) Abzugshaube nach dem Kochen immer ausschalten.

INFORMATIONEN FÜR EINE DEMONTAGE

Das Gerät nur wie in der Benutzeranleitung beschrieben öffnen oder aufschrauben. Der Verbraucher sollte das Gerät nicht vollständig in seine Einzelteile zerlegen. Am Ende seiner Lebensdauer das Gerät nicht mit dem Hausmüll entsorgen. Informieren Sie sich bei der örtlichen Behörde oder beim Abfallentsorger, wie Ihr Gerät entsorgt werden muss.

Campana extractora

Manual de instrucciones



Índice

1	Instrucciones de seguridad
2	Instalación
3	Empezar a usar la campana extractora
4	Solución de problemas
5	Mantenimiento y limpieza
6	Protección del medio ambiente

INSTRUCCIONES DE SEGURIDAD

Este manual explica la instalación y el uso adecuados de su campana extractora. Léalo atentamente antes de usarla, incluso si está familiarizado con el producto. El manual debe guardarse en un lugar seguro para futuras consultas.

Lo que nunca debe hacer:

- ¡No use la campana extractora sin los filtros de grasa o si los filtros están excesivamente grasientos!
- No la instale encima de una cocina con una parrilla de alto nivel.
- No deje las sartenes desatendidas durante el uso porque las grasas o aceites sobrecalentados pueden prenderse en llamas.
- Nunca deje llamas abiertas debajo de la campana extractora.



- No intente usar la campana extractora si está dañada.
- No flambee debajo de la campana extractora.
- **PRECAUCIÓN:** Las partes accesibles pueden calentarse cuando se usan con aparatos de cocina.
- La distancia mínima entre la superficie de soporte para los utensilios de cocción en el fogón y la parte más baja de la campana extractora. (Cuando la campana se encuentra encima de una cocina de gas, esta distancia debe ser de al menos 65 cm).
- El aire no debe extraerse en conductos usados para expulsar humos de aparatos que queman gas u otros combustibles.



Lo que siempre debe hacer:

- ¡Importante! Apague siempre el suministro de la red eléctrica durante la instalación y las actividades de mantenimiento, como cambiar una bombilla.
- La campana extractora debe instalarse de acuerdo con las instrucciones de instalación y todas las medidas seguidas.
- Todos los trabajos de instalación deben ser realizados por una persona competente o un electricista cualificado.
- Deseche el material de embalaje cuidadosamente. Los niños son vulnerables a este.
- Preste atención a los bordes afilados dentro de la campana extractora, especialmente durante la instalación y la limpieza.
- Cuando la campana extractora se encuentra encima de una cocina de gas, la distancia mínima entre la superficie de soporte para los utensilios de cocción en el fogón y la parte más baja de la campana debe ser:
Cocinas de gas: 75 cm
Cocinas eléctricas: 65 cm
Cocinas de carbón o aceite: 75 cm
- Asegúrese de que los conductos no tengan dobleces superiores a 90 grados, ya que esto reducirá la eficiencia de la campana extractora.
- Advertencia: Si los tornillos o el dispositivo de fijación no se instalan de acuerdo con estas instrucciones, pueden producirse riesgos eléctricos.

Lo que siempre debe hacer:

- Coloque siempre tapas en ollas y sartenes cuando cocine en una cocina de gas.
- Cuando se encuentre en el modo de extracción, la campana extractora estará extrayendo el aire de la habitación. Asegúrese de que se estén observando las medidas de ventilación adecuadas. La campana extractora elimina los olores de la habitación, pero no el vapor.
- La campana extractora es solo para uso doméstico.



- Si el cable de alimentación presenta daños, debe ser sustituido por el fabricante, por un técnico cualificado o por cualquier persona autorizada para evitar cualquier peligro.
- Este electrodoméstico puede ser utilizado por niños a partir de 8 años y por personas con capacidades físicas, sensoriales o mentales reducidas, o sin experiencia o conocimientos previos, siempre y cuando previamente hayan recibido la supervisión y las instrucciones necesarias para utilizar el aparato de forma segura y comprendan los riesgos que implica. Los niños no deben jugar con este electrodoméstico. Las operaciones de limpieza y mantenimiento no deben ser realizadas por niños sin supervisión.



- Advertencia: Antes de obtener acceso a los terminales, todos los circuitos de suministro deben estar desconectados.

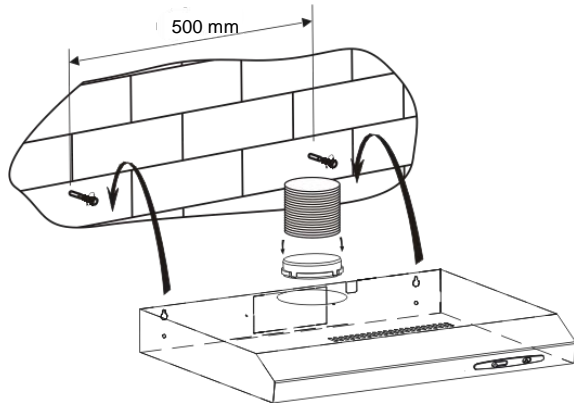
Lo que siempre debe hacer:

- Precaución: El electrodoméstico y sus accesorios se pueden calentar durante el uso. Trate de evitar tocar los elementos de calentamiento. Los niños menores de 8 años deben mantenerse alejados a menos que estén bajo supervisión permanente.
- La habitación debe estar adecuadamente ventilada cuando la campana extractora se usa al mismo tiempo que electrodomésticos que quemen gas u otros combustibles.
- Existe un riesgo de incendio si la limpieza no se lleva a cabo de acuerdo con las instrucciones.
- Deben cumplirse las normativas relativas a la extracción de aire.
- Limpie su electrodoméstico periódicamente siguiendo el método indicado en el capítulo MANTENIMIENTO.
- Por razones de seguridad, use solo tornillos de fijación o montaje del tamaño recomendado en este manual de instrucciones.
- En cuanto a los detalles sobre el método y la frecuencia de limpieza, consulte la sección de mantenimiento y limpieza en el manual de instrucciones.
- Las operaciones de limpieza y mantenimiento no deben ser realizadas por niños sin supervisión.
- Cuando la campana extractora y los electrodomésticos que funcionan con energía que no sea electricidad están funcionando simultáneamente, la presión negativa en la habitación no debe superar los 4 Pa (4×10^{-5} bar).
- ADVERTENCIA: Peligro de incendio: no almacene artículos sobre las superficies de cocción.
- No utilice un limpiador a vapor.
- NUNCA intente apagar un incendio con agua; debe apagar el aparato y cubrir posteriormente la llama, p. ej., con una tapa o una manta contra incendios.

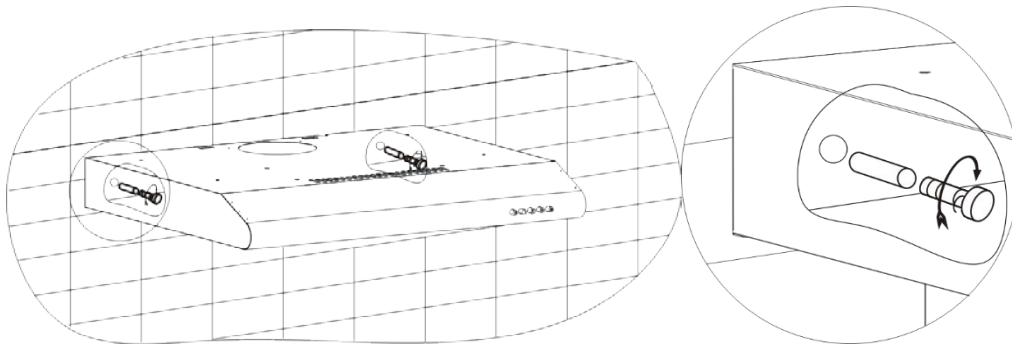
INSTALACIÓN

A. INSTALACIÓN (Montaje en pared)

- (1) Decida la ubicación de los agujeros para fijar la campana extractora.
- (2) Monte la campana extractora en la pared con 4 tornillos (4 x 30mm).

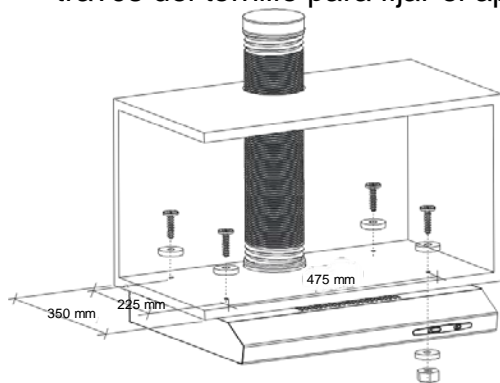


Campana extractora de 60 cm



B. INSTALACIÓN (Montaje en armario)

- (1) Monte la campana extractora en el armario con 4 tornillos (4 x 35mm), 4 tuercas y arandelas planas. Fije la campana en el armario pasando 4 tornillos y 4 arandelas planas desde la parte superior del armario a la campana extractora. Luego, dentro de la campana extractora, pase la arandela plana y la tuerca a través del tornillo para fijar el aparato en el armario.



Campana extractora de 60 cm

Aviso: Hay 2 métodos de ventilación, que incluyen "ventilación horizontal" y "ventilación vertical". Preste atención al método de ventilación durante la instalación.

Ventilación horizontal: Vea la Figura 4A, use la tapa para sellar la salida en la parte superior, luego el aire puede ser ventilado desde atrás.

Ventilación vertical: Vea la Figura 4B, use la tapa para sellar la salida en la parte posterior, luego el aire puede ser ventilado desde arriba.

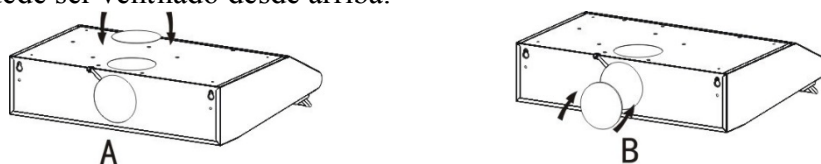


FIG 4

Configuración de la ventilación de aire

Ventilación de aire exterior: Gire el ajustador a la posición exterior (fig. 5A), instale el canal de salida, encienda la campana extractora y, a continuación, el aire se ventilará por la salida exterior.

Ventilación de aire interior: Gire el ajustador a la posición interior (fig. 5B), instale la tapa de la salida, encienda la campana extractora y, a continuación, el aire se puede ventilar por la salida interior.

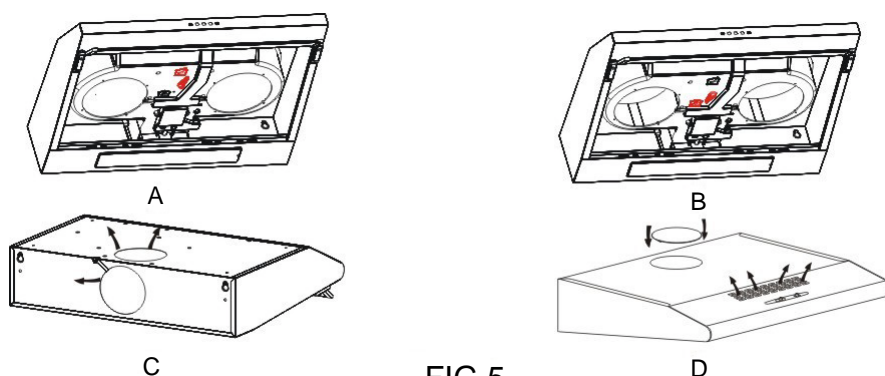


FIG 5

PRECAUCIÓN:



- Por razones de seguridad, use solo tornillos de fijación o montaje del tamaño recomendado en este manual de instrucciones.
- Si los tornillos o el dispositivo de fijación no se instalan de acuerdo con estas instrucciones, pueden producirse riesgos eléctricos.

Empezar a usar la campana extractora

Conmutador

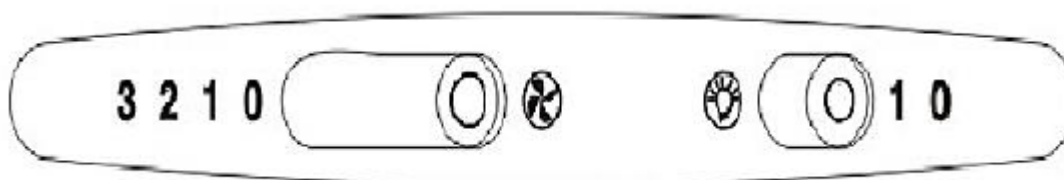
Hay 3 velocidades para el motor y un interruptor de encendido y apagado para la luz. Deslice el interruptor para su funcionamiento.

Funcionamiento del motor

- 0- Apagado
- 1- Configuración de potencia baja
- 2- Configuración de potencia media
- 3- Configuración de potencia alta

Funcionamiento de la luz

- 0- Apagado
- 1- Encendido



RESOLUCIÓN DE PROBLEMAS

Fallo	Causa posible	Solución
La luz está encendida, pero el motor no funciona	Interruptor del ventilador apagado	Seleccione una posición para el interruptor del ventilador.
	Fallo del interruptor del ventilador	Póngase en contacto con el centro de asistencia técnica.
	Fallo del motor	Póngase en contacto con el centro de asistencia técnica.
La luz no funciona, el motor no funciona	Han saltado los fusibles de la casa	Restablezca/Reemplace los fusibles.
	Cable de alimentación suelto o desconectado	Vuelva a ajustar el cable a la toma de corriente. Encienda la toma de corriente.
Fuga de aceite	La válvula de una vía y la salida no están herméticamente selladas	Desmonte la válvula de una vía y selle con un sellador.
	Fuga en la conexión del tubo de salida y la cubierta	Desmonte el tubo de salida y séllelo.
Las luces no funcionan	Globos rotos/defectuosos	Sustituya los globos siguiendo estas instrucciones.
Succión insuficiente	La distancia entre la campana extractora y el gas está demasiado lejos	Vuelva a colocar la campana extractora a la distancia correcta.
La campana extractora se inclina	El tornillo de fijación no está lo suficientemente ajustado	Apriete el tornillo de suspensión y coloque la campana en posición horizontal.

NOTA:



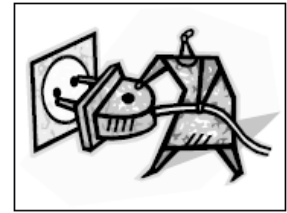
Cualquier reparación eléctrica de este electrodoméstico debe cumplir con las leyes locales, estatales y federales. Póngase en contacto con el centro de asistencia técnica si tiene alguna duda antes de realizar cualquiera de los pasos anteriores. Desconecte siempre la unidad de la fuente de alimentación cuando abra la

unidad.

MANTENIMIENTO Y LIMPIEZA

Precaución:

- Antes de llevar a cabo el mantenimiento o la limpieza, la campana extractora debe estar desconectada de la fuente de alimentación principal. Asegúrese de que la campana extractora esté desconectada de la toma de pared y que se haya retirado el enchufe.
- Las superficies externas son susceptibles a rasguños y abrasiones, por lo tanto, siga las instrucciones de limpieza para garantizar que se obtenga el mejor resultado posible sin daños.



GENERAL

La limpieza y el mantenimiento se deben llevar a cabo con el aparato frío, especialmente durante la limpieza. Evite dejar sustancias alcalinas o ácidas (jugo de limón, vinagre, etc.) en las superficies.

ACERO INOXIDABLE

El acero inoxidable debe limpiarse de forma regular (por ejemplo, semanalmente) para garantizar una larga vida útil. Séquelo con un paño suave y limpio. Se puede usar un detergente específico para acero inoxidable.

NOTA:

Asegúrese de que la limpieza se realice siguiendo la trama del acero inoxidable para evitar que aparezcan los antiestéticos patrones de rayado cruzado.

SUPERFICIE DEL PANEL DE CONTROL

El panel de control incrustado se puede limpiar con agua tibia con jabón. Asegúrese de que el paño esté limpio y bien escurrido antes de limpiarlo. Use un paño suave y seco para eliminar el exceso de humedad que queda después de la limpieza.

Importante

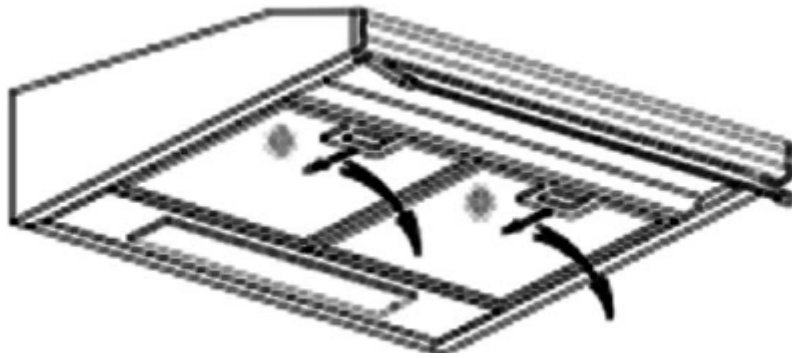
Use detergentes neutros y evite el uso de productos químicos de limpieza agresivos, detergentes domésticos fuertes o productos que contengan abrasivos, ya que esto afectará a la apariencia del electrodoméstico y posiblemente eliminará cualquier impresión estética en el panel de control y anulará la garantía del fabricante.

FILTROS DE MALLA PARA LA GRASA

Los filtros se pueden limpiar a mano. Empápelos durante aproximadamente 3 minutos en agua con un detergente antigrasa y luego cepíllelos suavemente con un cepillo suave. No aplique demasiada presión, evite dañarlos. (Deje que se sequen de forma natural pero alejados de la luz directa del sol)

Los filtros deben lavarse separados de la vajilla y los utensilios de cocina. Se aconseja no utilizar agente enjuagante.

- Extraiga los filtros como se muestra en la imagen siguiente.
- No use un detergente abrasivo, ya que dañará la campana.



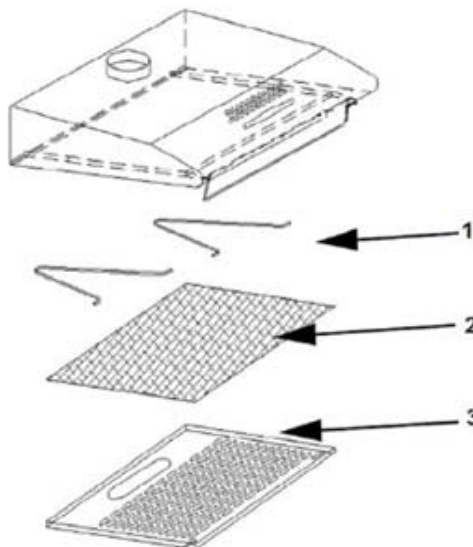
INSTALACIÓN DE LOS FILTROS DE MALLA PARA LA GRASA

- Para instalar los filtros, siga los siguientes cuatro pasos.
- Posicione el filtro en las ranuras de la parte posterior de la campana.
- Presione el botón del agarre del filtro.
- Suelte el agarre una vez que el filtro se ajuste en una posición de descanso.
- Repita este proceso para instalar todos los filtros.

FILTRO DE CARBONO

El filtro de carbono activado se puede usar para atrapar los olores. Normalmente, el filtro de carbono activado debe cambiarse a los tres o seis meses, según sus hábitos de cocina. El procedimiento de instalación del filtro de carbono activado es el siguiente.

1. Retire el filtro para la grasa.
2. Coloque el filtro de carbono sobre el filtro para la grasa.
3. Fije el filtro de carbono correctamente ajustado con el pequeño cable de acero.
4. Vuelva a instalar el filtro para la grasa.
5. Use filtros de carbono solo para el modo de recirculación.



1 Gancho de acero


2 Filtro de carbono

3 Filtro para la grasa

NOTA:

- Asegúrese de que el filtro esté bloqueado de forma segura. De lo contrario, se aflojaría y causaría daños.
- Cuando el filtro de carbono activado esté conectado, la potencia de succión disminuirá.

SUSTITUCIÓN DE LA BOMBILLA

<p>Importante:</p> 	<ul style="list-style-type: none">✧ La bombilla debe cambiarla el fabricante, su agente de servicio o personas con una cualificación de manera similar.✧ Apague siempre el suministro de electricidad antes de realizar cualquier operación en el aparato. Cuando manipule la bombilla, asegúrese de que esté completamente fría antes de cualquier contacto directo con las manos.✧ Cuando manipule los globos, sosténgalos con un paño o guantes para asegurar que la transpiración no entre en contacto con el globo, ya que esto puede reducir la vida útil del globo.
------------------------------------------------------------------------------------------------------	------------------------------------------------------------------------------------------------------------------------------------------------------------------------------------------------------------------------------------------------------------------------------------------------------------------------------------------------------------------------------------------------------------------------------------------------------------------------------------------------------------------------------------------------------------------------------------------------------------

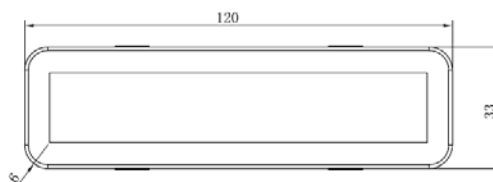
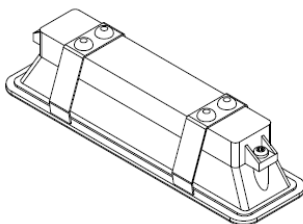
Sustitución de las luces:

* Antes de cambiar las luces, asegúrese de que el electrodoméstico esté desenchufado.


* Utilice el destornillador para aflojar el tornillo autorroscante ST4*8MM (2 un.) del panel de iluminación, saque el accesorio de iluminación. Abra la caja de terminales que se conectó con el cable, desconecte el conector del cable y cambie la lámpara.

• El código ILCOS D para esta lámpara es: DBS-2.5/65-H-120/33

- Módulos LED - lámpara rectangular
- Potencia máxima: 2,5 W
- Rango de voltaje: 220-240 V CA
- Tamaño:



PROTECCIÓN DEL MEDIO AMBIENTE:

	<p>Este producto está marcado con el símbolo de la clasificación selectiva de equipos electrónicos de desecho. Esto significa que este producto no debe eliminarse con la basura doméstica, sino que debe desecharse mediante un sistema de recogida selectiva de acuerdo con la Directiva 2012/19/EU. Luego se reciclará o desmantelará para minimizar los impactos sobre el medio ambiente. Los productos eléctricos y electrónicos son potencialmente peligrosos para el medio ambiente y la salud humana debido a la presencia de sustancias peligrosas. Para obtener más información, póngase en contacto con las autoridades locales o regionales.</p>
-------------------------------------------------------------------------------------	--------------------------------------------------------------------------------------------------------------------------------------------------------------------------------------------------------------------------------------------------------------------------------------------------------------------------------------------------------------------------------------------------------------------------------------------------------------------------------------------------------------------------------------------------------------------------------------------------------------------------------------------------------------

NOTA:

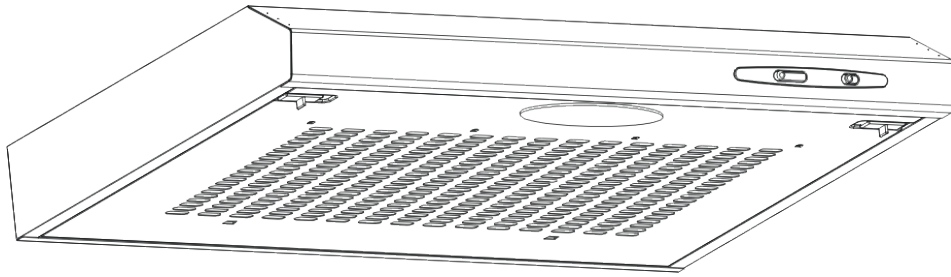
A continuación se muestra cómo reducir el impacto ambiental total (por ejemplo, mediante el uso de energía) del proceso de cocción.

- (1) Instale la campana extractora en un lugar apropiado donde haya una ventilación eficiente.
- (2) Limpie la campana extractora regularmente para no bloquear las vías de salida del aire.
- (3) Recuerde apagar la luz de la campana extractora después de cocinar.
- (4) Recuerde apagar la campana extractora después de cocinar.

INFORMACIÓN PARA EL DESMONTAJE

No desmonte el aparato de manera diferente a la mostrada en el manual de instrucciones. El aparato no puede ser desmontado por el usuario. Al final de su vida útil, el electrodoméstico no se debe tirar con la basura doméstica. Consulte con su recolector de desechos o autoridad local para obtener consejos de reciclaje.

Liesituuletin Käyttöohje



Sisältö

1	Turvallisuusohjeet
2	Asennus
3	Liesituulettimen käytön aloitus
4	Vianetsintä
5	Huolto ja puhdistus
6	Ympäristönsuojelu

TURVALLISUUSOHJEET

Tässä käyttöohjeessa selitetään liesituulettimen oikeanlainen asennus ja käyttö. Lue ohjeet huolellisesti ennen käyttöä, vaikka tuote olisi sinulle tuttu. Ohjeet on säilytettävä varmassa paikassa tulevaa käyttöä varten.

Älä koskaan tee seuraavaa:

- Älä käytä liesituuletinta ilman rasvasuodattimia tai jos rasvasuodattimet ovat äärimmäisen rasvaiset!
- Älä asenna sellaisen liedon yläpuolelle, jossa on korkeatehoinen grilli.
- Älä jätä paistinpannuja vahtimatta käytön aikana, koska ylikuumenneet rasvat tai öljyt saattavat syttyä palamaan.
- Älä koskaan jätä avotulta liesituulettimen alle.



- Jos liesituuletin on vahingoittunut, älä käytä sitä.
- Älä liekitä liesituulettimen alla.
- HUOMIO: Näkyvät osat voivat kuumentua ruoanvalmistusvälineitä käytettäessä.
- Minimietäisyys liedon keittovälineiden tukipinnan ja liesituulettimen alimman osan välillä. (Kun liesituuletin sijoitetaan kaasulieden alle, etäisyyden on oltava vähintään 65 cm)
- Ilmaa ei saa päästää savuhormiin, jota käytetään kaasua tai muita polttoaineita polttavien laitteiden savukaasujen poistamiseen.



Tee aina seuraavaa:

- Tärkeää! Katkaise aina sähkönsyöttö verkosta asennuksen ja huollon

aikana, kuten polttimoiden vaihdon aikana.

- Liesituuletin on asennettava asennusohjeiden ja mukaan ja kaikkia mittoja on noudatettava.
- Ammattihenkilön tai valtuutetun sähköasentajan on aina suoritettava asennus.
- Hävitä pakkausmateriaali huolellisesti. Ne voivat aiheuttaa lapsille vahinkoa.
- Kiinnitä huomiota liesituulettimen sisällä oleviin teräviin reunoihin erityisesti asennuksen ja puhdistuksen aikana.
- Kun liesituuletin sijoitetaan kaasulieden yläpuolelle, minimietäisyys liedon keittovälineiden tukipinnan ja liesituulettimen alaosan välillä on oltava:
Kaasuliedet: 75 cm
Sähköliedet: 65 cm
Hiili- tai öljykäyttöiset liedet: 75 cm
- Varmista, ettei putkissa ole alle 90 asteen kulmia, koska se voi pienentää liesituulettimen tehoa.
- Varoitus: Ruuvien ja kiinnityslaitteiden asentamatta jättäminen näiden ohjeiden mukaan voi johtaa sähkövaaroihin

Tee aina seuraavaa:

- Laita aina kannet kattiloiden ja pannujen päälle valmistaessasi ruokaa kaasuliedellä.
- Imutilassa liesituuletin poistaa huoneilmaa. Varmista, että tuuletus hoidetaan asianmukaisesti. Liesituuletin poistaa tuoksuja huoneesta, muttei höyryä.
- Liesituuletin on tarkoitettu vain kotitalouskäyttöön.



- Jos virtajohto on vaurioitunut, sen saa vaihtaa valmistaja, sen huoltoedustaja tai vastaava ammattitaitoinen henkilö vaaran välttämiseksi.
- Tätä laitetta voivat käyttää vähintään 8-vuotiaat lapset ja henkilöt, joilla on alentuneet fyysiset, aisti- tai henkiset kyvyt tai joilla ei ole kokemusta ja tietoa, edellyttäen, että heitä valvotaan tai heille annetaan ohjeet laitteen käytöstä turvallisella tavalla ja he ymmärtävät vaaratekijät. Lapset eivät saa leikkiä laitteella. Lapset eivät saa suorittaa puhdistusta tai käyttäjän ylläpitotoimia ilman valvontaa.



- Varoitus: Kaikki syöttöpiirit on irrotettava ennen liitinten koskettamista.

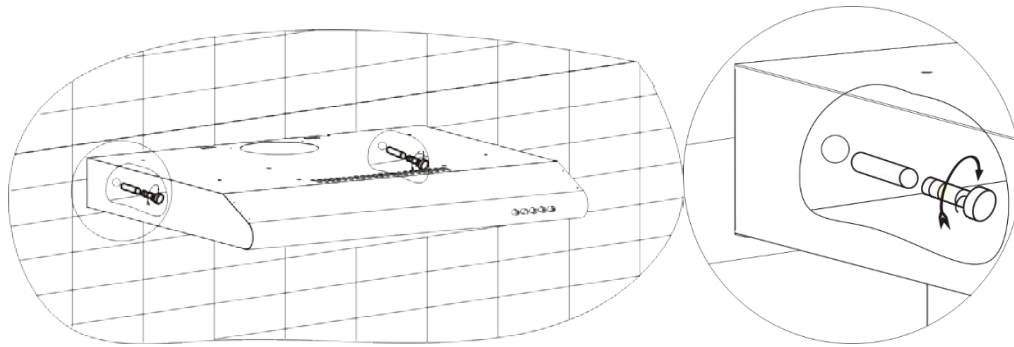
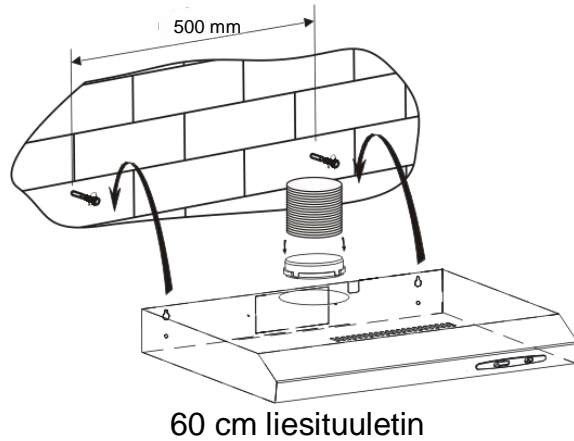
Tee aina seuraavaa:

- Huomio: Laitte ja sen näkyvät osat voivat kuumentua käytön aikana. Vältä koskettamasta kuumenevia osia. Alle 8-vuotiaiden lasten on pysyttävä poissa laitteen luota, ellei heitä valvota jatkuvasti.
- Huoneessa on oltava riittävä ilmanvaihto kun liesituuletinta käytetään samaan aikaan kaasua tai muita polttoaineita polttavien laitteiden kanssa.
- On olemassa tulipalovaara, jos puhdistusta ei suoriteta ohjeiden mukaan
- Ilmanpoistoa koskevia säädöksiä on noudatettava.
- Puhdista laite säännöllisesti menetelmällä, joka on mainittu HUOLTO-luvussa.
- Turvallisuussyistä käytä ainoastaan samankokoisia kiinnitys- tai asennusruuveja kuin tässä käyttöohjeessa on suositeltu.
- Katso käyttöohjeen huolto- ja puhdistusosiosta lisätiedot menetelmästä ja puhdistustiheydestä.
- Lapset eivät saa suorittaa puhdistusta tai käyttäjän ylläpitotoimia ilman valvontaa.
- Kun liesituuletinta ja muulla kuin sähköllä toimivia laitteita käytetään samaan aikaan, huoneen negatiivinen paine ei saa ylittää 4 Pa (4 x 10⁻⁵ baaria).
- VAROITUS: Tulipalovaara: älä säilytä mitään keittotasolla.
- Höyrypuhdistinta ei saa käyttää.
- Älä KOSKAAN yritä sammuttaa tulipaloa vedellä, vaan sammuta laite ja peitä liekit esim. kannella tai sammutuspeitteellä.

ASENNUS

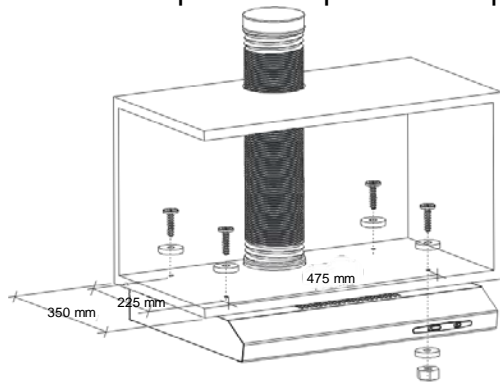
A. ASENNUS (Seinäasennus)

- (1) Päättää liesituulettimen kiinnitysreikien sijainti.
- (2) Asenna liesituuletin seinälle 4 ruuvilla (4x 30 mm)



B. ASENNUS (Asennus kaappiin)

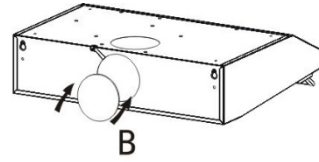
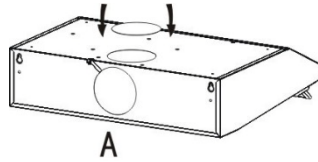
- (1) Asenna liesituuletin kaappiin 4 ruuvilla (4x35 mm), 4 mutterilla ja aluslaattalla. Kiinnitä liesituuletin kaappiin työntämällä 4 ruuvia ja 4 aluslaattaa kaapin yläpuolelta liesituulettimeen. Työnnä liesituulettimen sisällä aluslaatta ja mutteri ruuvin läpi laitteen pitämiseksi paikallaan kaapissa.



Ääni: Tuuletusmenetelmiä on kaksi, mukaan lukien "vaakasuora tuuletus" ja "pystysuora tuuletus". Kiinnitä huomiota tuuletusmenetelmään asennuksen aikana.

Vaakasuora tuuletus: Katso kuva 4A. Käytä kantta yläaukon sulkemiseksi, jotta ilma vaihtuu takaa.

Pystysuora tuuletus: Katso kuva 4B. Käytä kantta taka-aukon sulkemiseksi, jotta ilma vaihtuu ylhäältä.

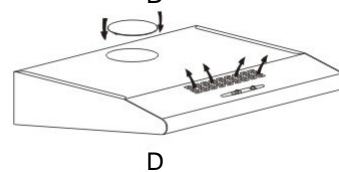
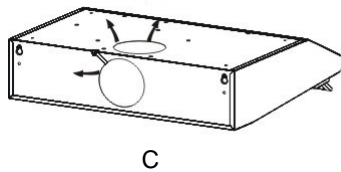
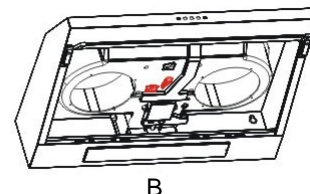
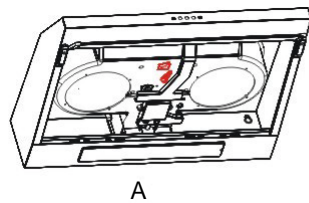


KUVA 4


Ilmanvaihtoasetukset

Ulkoilmanvaihto: Käännä säädin ulkoilma-asentoon (kuva 5A), asenna poistotie, käynnistä liesituuletin, jolloin ilma vaihtuu ulkopuolen poistotiestä.

Sisäilmanvaihto: Käännä säädin sisäilma-asentoon (kuva 5B), asenna poistotien kansi, käynnistä liesituuletin, jolloin ilma vaihtuu sisäpuolen poistotiestä.



KUVA 5

VAROITUS: 	<p>➤ Turvallisuussyistä käytä ainoastaan samankokoisia kiinnitys- tai asennusruuveja kuin tässä käyttöohjeessa on suositeltu.</p> <p>➤ Ruuvien ja kiinnityslaitteiden asentamatta jättäminen näiden ohjeiden mukaan voi johtaa sähkövaaroihin.</p>
-------------------------------------------------------------------------------------------------------	----------------------------------------------------------------------------------------------------------------------------------------------------------------------------------------------------------------------------------------------------

Liesituulettimen käytön aloitus

Keinukytkin

Moottorille on 3 nopeutta sekä virtapainike lampulle.

Liu'uta kytkintä käyttääksesi tuuletinta.

Moottorin toiminta

0- pois päältä

1- pieni teho

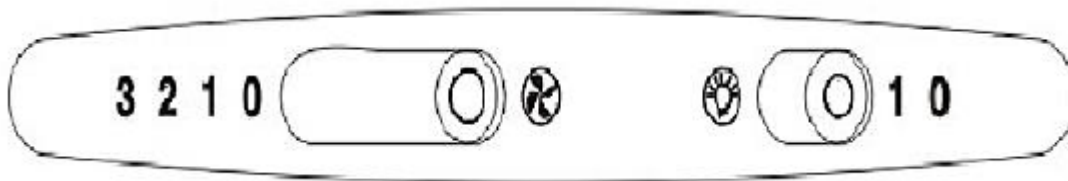
2- keskisuuri teho

3- suuri teho

Valon toiminta

0- pois päältä

1- päällä



VIANETSINTÄ

Vika	Mahdollinen syy	Ratkaisu
Valo päällä, mutta moottori ei toimi	Tuuletin sammutettu	Valitse tuuletinkytkimen asento.
	Tuuletinkytkimen vika	Ota yhteyttä huoltokeskukseen.
	Moottorivika	Ota yhteyttä huoltokeskukseen.
Valo ei toimi, moottori ei toimi	Rakennuksen sulakkeet palaneet	Vaihda sulakkeet.
	Virtajohto löysällä tai irrotettu	Laita virtajohto pistorasiaan. Kytke pistorasia päälle.
Öljyvuoto	Yksisuuntaventtiili ja lähtö eivät ole tiukasti sinetöidyt	Ota yksisuuntaventtiili pois ja tiivistä se tiivistysaineella.
	Vuoto savupiipun ja kannen liitännästä	Ota savupiippu pois ja tiivistä.

Valot eivät toimi	Rikkinäiset/vialliset polttimot	Vaihda polttimot tämän ohjeen mukaisesti.
Riittämätön imu	Liesituulettimen ja kaasulieden kannen välinen etäisyys on liian suuri	Asenna liesituuletin oikealle etäisyydelle.
Liesituuletin kallistuu	Kiinnitysruuvit eivät ole riittävän tiukalla	Kiristä ruuvi ja aseta tuuletin vaakasuoraan.

HUOMAA:



Kaikkien tämän laitteen sähkökorjausten on noudatettava paikallisia, osavaltion ja valtion lakeja. Ota yhteyttä huoltokeskukseen, jos olet epävarman ennen tällaisten töiden suorittamista. Irrota laite aina virtalähteestä ennen sen avaamista.

HUOLTO JA PUHDISTUS

Huomio:

- Ennen huollon ja puhdistuksen suorittamista liesituuletin on irrotettava virtalähteestä. Varmista, että liesituuletin on kytketty pois päältä pistorasiasta ja pistoke irrotettu.
- Ulkopinnat ovat herkkiä naarmuille ja hankaantumiselle, joten noudata puhdistusohjeita varmistaaksesi parhaan lopputuloksen ilman vaurioita.



YLEINEN

Huolto ja erityisesti puhdistus pitäisi suorittaa, kun laite on kylmä. Vältä jättämästä emäksisiä tai happamia aineita (sitruunamehu, viinietikka jne.) pinnoille.

RUOSTUMATON TERÄS

Ruostumaton teräs on puhdistettava säännöllisesti (esim. viikoittain) pitkä käyttöiän takaamiseksi. Kuivaa puhtaalla ja pehmeällä liinalla. Erityistä ruostumattoman teräksen puhdistusainetta voidaan käyttää.

HUOMAA:

Varmista, että pyyhkiminen tapahtuu ruostumattoman teräksen syiden mukaan, jotta vältetään rumien ristikkäisten naarmujen syntymistä.

HALLINTAPANEELIN PINTA

Upotettu hallintapaneeli voidaan puhdistaa lämpimällä saippuavedellä. Varmista, että liina on puhdas ja väännetty hyvin kuivaksi ennen puhdistamista. Käytä kuivaa pehmeää liinaa poistaaksesi ylimääräisen kosteuden puhdistuksen jälkeen.

Tärkeää

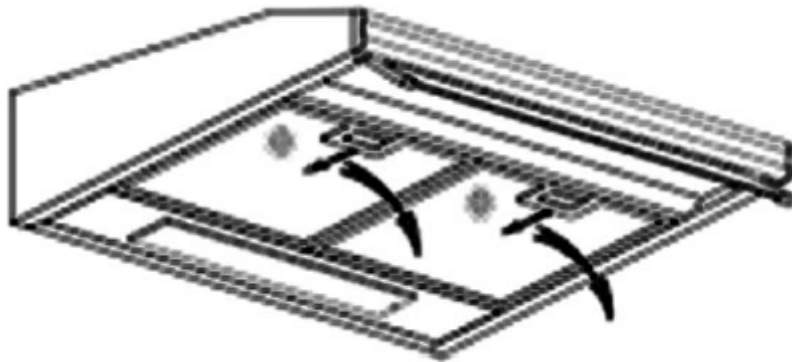
Käytä neutraaleja puhdistusaineita ja vältä kovia puhdistuskemikaaleja, vahvoja kotitalouskäyttöön tarkoitettuja pesuaineita tai hankausaineita, sillä ne vaikuttavat laitteen ulkonäköön ja voi mahdollisesti irrottaa hallintapaneelin merkinnät ja mitätöidä valmistajan takuun.

RASVAVERKKOSUODATTIMET

Suodattimet voidaan puhdistaa käsin. Liota niitä vedessä noin 3 minuutin ajan rasvaa poistavalla pesuaineella ja harjaa sitten varovasti pehmeällä harjalla. Älä paina liian kovasti, jotta vältät vauriot. (Anna kuivaa itsekseen poissa suorasta auringonvalosta)

Suodattimet on pestävä erillään astioista ja keittiövälineistä. Huuhteluainetta ei suositella käytettäväksi.

- Irrota suodattimet seuraavan kuvan ohjeen mukaan.
- Älä käytä hankausainetta, sillä se vahingoittaa tuuletinta.



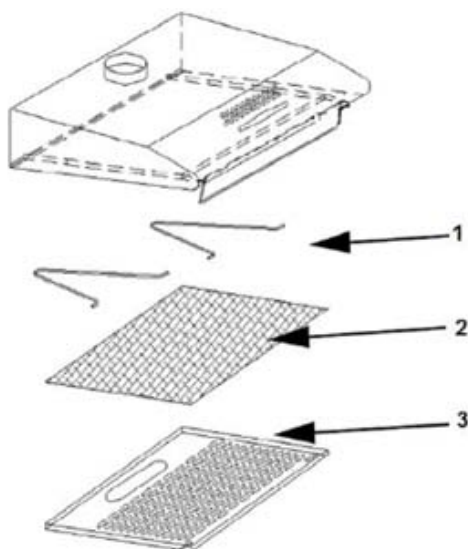
RASVAVERKKOSUODATTIMIEN ASENNUS

- Asenna suodattimet noudattamalla seuraavia neljää vaihetta.
 - Sijoita suodatin kuvun takana sijaitseviin aukkoihin.
 - Paina suodattimen kahvan painiketta.
 - Vapauta kahva, kun suodatin asettuu paikalleen.
 - Toista asentaaksesi kaikki suodattimet.

HIILISUODATIN

Aktiivihiilisuodatinta voidaan käyttää hajujen sitomiseen. Tavallisesti aktiivihiilisuodatin on vaihdettava kolmen tai kuuden kuukauden kuluttua ruoanlaittotoivoista riippuen. Aktiivihiilisuodattimet asennetaan seuraavan kuvauksen mukaisesti.

1. Irrota rasvasuodatin.
2. Aseta hiilisuodatin rasvasuodattimen päälle.
3. Kiinnitä oikein asetettu hiilisuodatin pienellä teräslangalla.
4. Asenna rasvasuodatin uudelleen.
5. Käytä hiilisuodattimia vain kierrätystilassa.



1 Metallikannatin


2 Hiilisuodatin

3 Rasvasuodatin

HUOMAA:

- Varmista, että suodatin on tiukasti lukittu. Muutoin se löystyy ja aiheuttaa vaaran.
- Kun aktiivihilisuodatin on kiinnitetty, imuteho alenee.

POLTTIMON VAIHTAMINEN

<p>Tärkeää:</p> 	<ul style="list-style-type: none"> ✧ Valmistajan, sen huoltoedustajan tai vastaavan ammattihenkilön on vaihdettava polttimo. ✧ Katkaise aina virransyöttö ennen kuin suoritat mitään toimenpiteitä laitteeseen. Varmista, että polttimo on täysin jäähtynyt ennen kuin kosket siihen käsin. ✧ Käsitellessäsi polttimoita, pitele niitä liinalla tai käsinellä varmistaaksesi, ettei hiki kosketa niitä, sillä se voi pienentää polttimon käyttöikää.
------------------------------------------------------------------------------------------------------------	---------------------------------------------------------------------------------------------------------------------------------------------------------------------------------------------------------------------------------------------------------------------------------------------------------------------------------------------------------------------------------------------------------------------------------------------------------------------------------------

Lampun vaihtaminen:

*Varmista ennen lampun vaihtamista, että laite on kytketty pois päältä.

*Käytä ruuvimeisseliä löysätäksesi itseporautuvaa ruuvia ST4*8MM (2 kpl)

valopaneelistä. Ota valokiinnike irti. Avaa kytkentärasia, irrota johto ja vaihda lamppu.

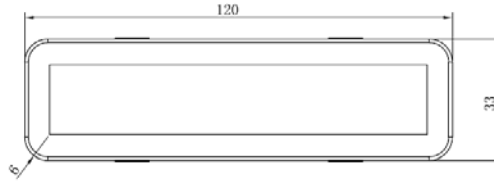
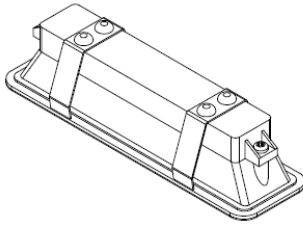
• **Tämän lampun ILCOS D -koodi on: DBS-2.5/65-H-120/33**

– LED-moduulit –suorakulmainen lamppu


– Suurin teho: 2,5 W

– Jännitealue: AC 220-240V

– Mitat:



YMPÄRISTÖNSUOJELU:

	<p>Tämä tuote on merkitty sähkölaiteromun valikoivan lajittelun symbolilla. Se tarkoittaa, että tätä laitetta ei saa hävittää kotitalousjätteen mukana, vaan se on hävitettävä valikoivan keruun järjestelmän avulla direktiivin 2012/19/EU mukaan. Se kierrätetään ja puretaan ympäristövaikutusten minimoimiseksi. Sähkö- ja elektroniikkatuotteet ovat mahdollisesti vaarallisia ympäristölle ja ihmisen terveydelle vaarallisten aineiden läsnäolon vuoksi. Saat lisätietoja ottamalla yhteyttä paikallisiin tai alueellisiin viranomaisiin.</p>
-----------------------------------------------------------------------------------	------------------------------------------------------------------------------------------------------------------------------------------------------------------------------------------------------------------------------------------------------------------------------------------------------------------------------------------------------------------------------------------------------------------------------------------------------------------------------------------------------------------------------------------------------

HUOMAA:

Seuraavassa opit, kuinka ruoanlaiton ympäristövaikutuksia pienennetään (esim. energiankäyttö).

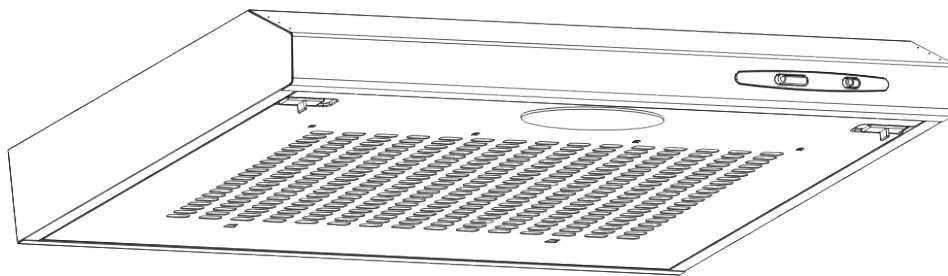
- (1) Asenna liesituuletin asianmukaiseen paikkaan, jossa on tehokas ilmanvaihto.
- (2) Puhdista liesituuletin säännöllisesti, jotteivät ilmatiet tukkeudu.
- (3) Muista sammuttaa liesituulettimen valo ruoanlaiton jälkeen.
- (4) Muista sammuttaa liesituuletin ruoanlaiton jälkeen.

TIETOA PURKAMISESTA

Älä pura laitetta vastoin käyttöohjeessa esitettyä tapaa. Käyttäjä ei saa purkaa laitetta. Laitetta ei saa käyttöikänsä päätyttyä hävittää kotitalousjätteen mukana. Kysy paikalliselta viranomaiselta tai jälleenmyyjältä kierrätysneuvoja.

Hotte aspirante

Manuel d'instruction



Sommaire

1	Consignes de sécurité
2	Installation
3	Commencez à utiliser votre hotte aspirante
4	Dépannage
5	Entretien et nettoyage
6	Protection de l'environnement

CONSIGNES DE SÉCURITÉ

Ce manuel explique comment installer et utiliser correctement votre hotte aspirante. Veuillez le lire attentivement avant toute utilisation même si vous connaissez bien le produit. Le manuel doit être conservé en lieu sûr pour pouvoir le consulter en cas de besoin.

À ne jamais faire :

- Ne tentez pas d'utiliser la hotte aspirante sans les filtres à graisse ou si les filtres sont excessivement encrassés !
- Ne l'installez jamais au-dessus d'une cuisinière avec un grill de haut niveau.
- Ne laissez pas les poêles à frire sans surveillance pendant leur utilisation car les huiles ou les graisses surchauffées pourraient prendre feu.
- Ne laissez jamais des flammes nues sous la hotte aspirante.



- Si la hotte aspirante est endommagée, n'essayez pas de l'utiliser.
- Ne flambez rien sous la hotte aspirante.
- ATTENTION : Les parties accessibles peuvent devenir chaudes lors de l'utilisation avec des appareils de cuisson.
- La distance minimale entre la surface de support pour les récipients de cuisson sur la plaque de cuisson et la partie la plus basse de la hotte aspirante. (Quand la hotte aspirante est située au-dessus d'une cuisinière à gaz, cette distance doit être d'au moins 65 cm)
- L'air ne doit pas être évacué dans un conduit utilisé pour les fumées provenant d'appareils de combustion à gaz ou fonctionnant avec d'autres carburants.



À toujours faire :

- Important ! Coupez toujours l'alimentation électrique durant l'installation et l'entretien, comme par

exemple quand vous changez une ampoule.

- La hotte aspirante doit être installée conformément aux instructions d'installation et toutes les mesures doivent être respectées.
- Tout le travail d'installation doit être effectué par une personne compétente ou un électricien qualifié.
- Veuillez faire attention quand vous jetez l'emballage. Les enfants pourraient se blesser avec.
- Faites attention aux bords coupants à l'intérieur de la hotte aspirante durant l'installation et le nettoyage.
- Quand la hotte aspirante est située au-dessus d'une cuisinière, la distance minimale entre la surface de support pour les récipients de cuisson sur la plaque de cuisson et la partie la plus basse de la hotte aspirante doit être la suivante :

Cuisinières à gaz :	75 cm
Cuisinières électriques :	65 cm
Cuisinières à charbon ou à mazout :	75 cm
- Vérifiez que les coudes des conduits ne sont pas inférieurs à 90 degrés car cela réduirait l'efficacité de la hotte aspirante.
- Avertissement : Si les vis ou le dispositif de fixation ne sont pas installés conformément à ces instructions, cela peut provoquer des dangers électriques

À toujours faire :

- Placez toujours le couvercle sur les casseroles et les poêles quand vous cuisinez sur une cuisinière à gaz.
- En mode extraction, l'air de la pièce est éliminé par la hotte aspirante. Vérifiez que des mesures de ventilation correctes sont adoptées. La hotte aspirante élimine les odeurs de la pièce mais pas la vapeur.
- La hotte aspirante est réservée à un usage domestique.



- Si le cordon d'alimentation est endommagé, faites-le remplacer par le fabricant, le service après-vente ou un électricien qualifié pour éviter tout risque d'accident.
- Cet appareil peut être utilisé par des enfants âgés de 8 ans et plus et par des personnes à capacités physiques, sensorielles ou intellectuelles réduites ou sans expérience et connaissances, s'ils sont sous une surveillance appropriée ou bien s'ils ont été informés quant à l'utilisation de l'appareil de manière sûre, et s'ils comprennent les risques impliqués. Les enfants ne doivent pas jouer avec l'appareil. Le nettoyage et l'entretien ne doivent pas être effectués par des enfants sans surveillance.



- Avertissement : Avant d'accéder aux bornes, il faut débrancher tous les circuits d'alimentation.

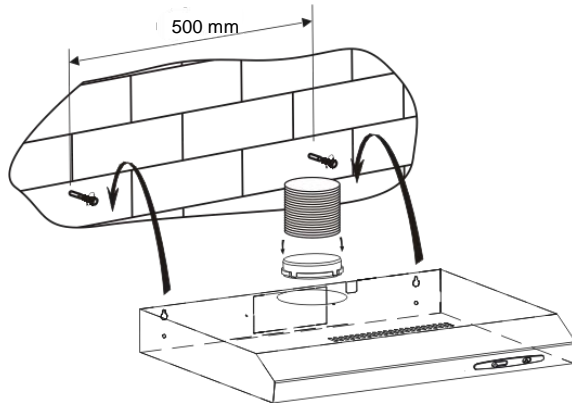
À toujours faire :

- Attention : L'appareil et ses parties accessibles peuvent devenir chauds durant le fonctionnement. Évitez de toucher les éléments qui chauffent. Les enfants âgés de moins de 8 ans doivent rester à distance à moins d'être surveillés en permanence.
- Il faut disposer d'une ventilation appropriée dans la pièce où la hotte aspirante est utilisée en même temps que d'autres appareils brûlant du gaz ou d'autres carburants.
- Il existe un risque d'incendie si le nettoyage n'est pas effectué conformément aux instructions.
- Les réglementations relatives à l'évacuation de l'air doivent être respectées.
- Nettoyez régulièrement votre appareil en suivant la méthode fournie dans le chapitre ENTRETIEN.
- Pour des raisons de sécurité, veuillez n'utiliser que des vis de fixation ou de montage de la même taille que celle recommandée dans ce manuel d'instruction.
- En ce qui concerne les détails sur la méthode et la fréquence de nettoyage, veuillez vous reporter au paragraphe relatif à l'entretien et au nettoyage dans le manuel d'instruction.
- Le nettoyage et l'entretien ne doivent pas être effectués par des enfants sans surveillance.
- Quand la hotte aspirante et les appareils alimentés par autre chose que de l'électricité fonctionnent simultanément, la pression négative à l'intérieur de la pièce ne doit pas dépasser 4 Pa (4 x 10⁻⁵ bar).
- **AVERTISSEMENT** : Risque d'incendie : ne rangez pas des objets sur les surfaces de cuisson.
- Il ne faut pas utiliser de nettoyeur vapeur.
- Ne tentez JAMAIS d'éteindre un incendie avec de l'eau, mais éteignez l'appareil puis couvrez la flamme par exemple avec un couvercle ou une couverture pare-flammes.

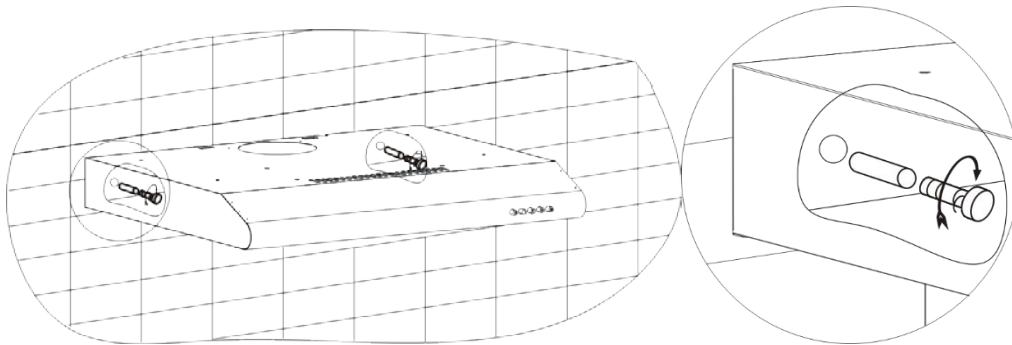
INSTALLATION

A. INSTALLATION (murale)

- (1) Choisissez l'emplacement des trous pour fixer la hotte aspirante.
- (2) Montez la hotte aspirante au mur avec les 4 vis (4x 30 mm)

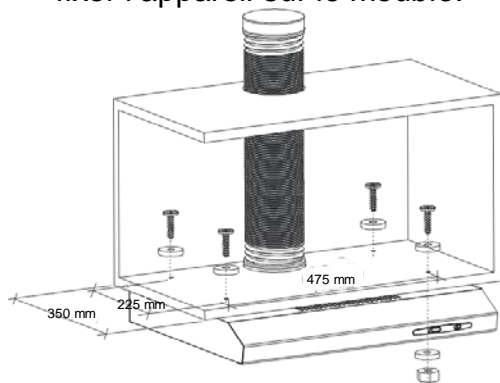


Hotte aspirante de 60 cm



B. INSTALLATION (sur un meuble)

- (1) Montez la hotte aspirante sur le meuble avec les 4 vis (4x35 mm), 4 écrous et rondelles plates. Fixez la hotte sur le meuble en faisant passer les 4 vis et les 4 rondelles plates du dessus du meuble jusqu'à la hotte aspirante. Puis à l'intérieur de la hotte aspirante, passez la rondelle et l'écrou à travers la vis pour fixer l'appareil sur le meuble.



Hotte aspirante de 60 cm

Bruit : Il existe 2 méthodes pour la ventilation, à savoir la « ventilation horizontale » et la « ventilation verticale ». Veuillez faire attention à la méthode de ventilation au moment de l'installation.

Ventilation horizontale : Voir fig. 4A, veuillez utiliser le couvercle pour fermer la sortie sur le dessus, puis l'air peut être évacué par l'arrière.

Ventilation verticale : Voir fig. 4B, veuillez utiliser le couvercle pour bloquer la sortie à l'arrière, puis l'air peut être évacué par le dessus.



Fig. 4

Réglage de la ventilation de l'air

Ventilation extérieure de l'air : Tournez le dispositif de réglage sur la position extérieure (fig. 5A), installez la sortie, allumez la hotte aspirante, l'air sera ensuite évacué par la sortie extérieure.

Ventilation intérieure de l'air : Tournez le dispositif de réglage sur la position intérieure (fig. 5B), installez le couvercle de la sortie, allumez la hotte aspirante, l'air peut alors être évacué par la sortie intérieure.

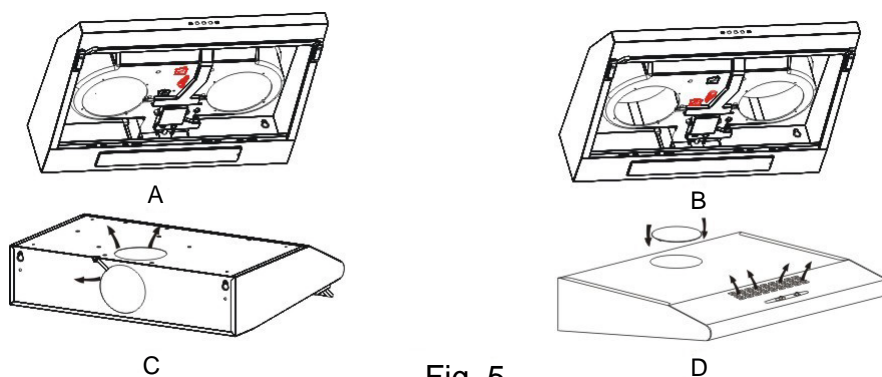



Fig. 5

<p>AVERTISSEMENT :</p> 	<ul style="list-style-type: none">➤ Pour des raisons de sécurité, veuillez n'utiliser que des vis de fixation ou de montage de la même taille que celle recommandée dans ce manuel d'instruction.➤ Si les vis ou le dispositif de fixation ne sont pas installés conformément à ces instructions, cela peut provoquer des dangers électriques.
------------------------------------------------------------------------------------------------------------	-----------------------------------------------------------------------------------------------------------------------------------------------------------------------------------------------------------------------------------------------------------------------------------------------------------------------------------------------------------------------

Commencez à utiliser votre hotte aspirante Interrupteur à bascule

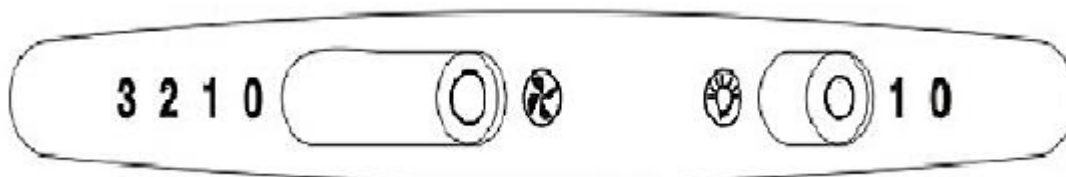
Il existe 3 vitesses pour le moteur et un interrupteur marche/arrêt pour l'éclairage.
Faites coulisser l'interrupteur pour le faire fonctionner.

Fonctionnement du moteur

- 0- Arrêt
- 1- Basse puissance
- 2- Puissance moyenne
- 3- Haute puissance

Fonctionnement de l'éclairage

- 0- Arrêt
- 1- Marche



DÉPANNAGE

Problème	Cause possible	Solution
La lumière est allumée mais le moteur ne fonctionne pas	Le ventilateur est éteint	Sélectionnez une position du commutateur du ventilateur.
	Panne du commutateur du ventilateur	Contactez le centre d'assistance.
	Panne du moteur	Contactez le centre d'assistance.
La lumière ne fonctionne pas, le moteur ne fonctionne pas	Les fusibles de la maison ont sauté	Remettez/Remplacez les fusibles.
	Cordon d'alimentation lâche ou débranché	Rebranchez le cordon à la prise de courant. Mettez sous tension la prise de courant.
Fuite d'huile	Le clapet anti-refoulement et la sortie ne sont pas bien étanches	Ôtez le clapet anti-refoulement et rendez-le étanche avec du mastic.
	Fuite au niveau du raccordement de la cheminée et du couvercle	Ôtez la cheminée et rendez-la étanche.
Les lumières ne fonctionnent pas	Ampoules cassées/défectueuses	Changez les ampoules selon ces instructions.
Aspiration insuffisante	La distance entre la hotte aspirante et la plaque de cuisson au gaz est trop importante	Remontez la hotte aspirante à la bonne distance.
La hotte aspirante est inclinée	La vis de fixation n'est pas suffisamment serrée	Serrez la vis de suspension et placez-la à l'horizontale.

REMARQUE :



Toute réparation électrique sur cet appareil doit être conforme aux lois locales et nationales. Veuillez contacter le centre d'assistance si vous avez des doutes avant d'effectuer toute réparation. Débranchez toujours l'unité de la source d'alimentation quand vous ouvrez l'unité.

ENTRETIEN ET NETTOYAGE

Attention :

- Avant d'effectuer l'entretien ou le nettoyage, vous devez débrancher la hotte aspirante de l'alimentation. Vérifiez que la hotte aspirante est éteinte au niveau de la prise murale et que la fiche est débranchée.



- Les surfaces extérieures sont susceptibles d'être rayées et de subir des abrasions, veuillez donc respecter les instructions de nettoyage pour garantir le meilleur résultat possible sans dégât.

GÉNÉRALITÉS

Le nettoyage et l'entretien doivent être effectués quand l'appareil est froid, en particulier pour le nettoyage. Évitez de laisser des substances alcalines ou acides (jus de citron, vinaigre, etc.) sur les surfaces.

ACIER INOXYDABLE

Il faut nettoyer régulièrement (par ex. une fois par semaine) l'acier inoxydable pour garantir une longue durée de vie. Essuyez-le avec un chiffon doux et sec. Un liquide de nettoyage spécialement conçu pour l'acier inoxydable peut être utilisé.

REMARQUE :

Veillez à essuyer l'appareil le long du grain de l'acier inoxydable pour éviter l'apparition de rayures croisées.

SURFACE DU PANNEAU DE COMMANDE

Le panneau de commande peut être nettoyé avec de l'eau savonneuse chaude. Vérifiez que le chiffon est propre et bien essoré avant d'effectuer le nettoyage. Utilisez un chiffon doux et sec pour éliminer l'excès d'humidité restant après le nettoyage.

Important

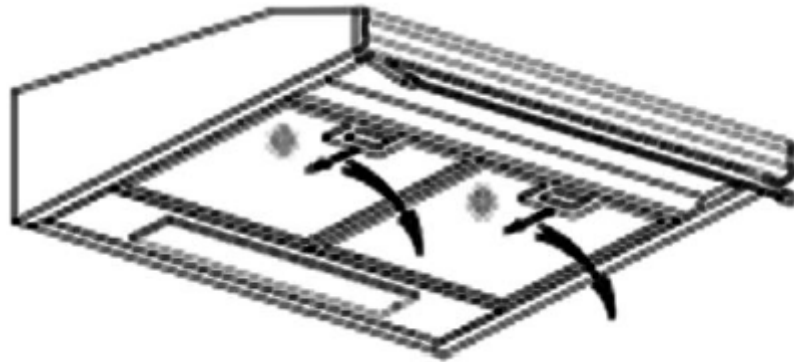
Utilisez des détergents neutres et évitez les produits chimiques agressifs, les détergents ménagers puissants ou les produits contenant des abrasifs, car cela affectera l'aspect de l'appareil et pourrait éliminer les dessins imprimés sur le panneau de commande et rendre la garantie caduque.

FILTRES À TAMIS À GRAISSE

Les filtres à tamis peuvent être nettoyés à la main. Plongez-les pendant près de 3 minutes dans de l'eau avec un détergent pour dissoudre la graisse, puis brossez-les délicatement avec une brosse douce. N'exercez pas une pression trop importante pour éviter de les endommager. (Laissez-les sécher naturellement sans les placer en plein soleil)

Les filtres doivent être lavés séparément des couverts et des ustensiles de cuisine. Il est conseillé de ne pas utiliser un agent de rinçage.

- Enlevez les filtres selon les instructions de la Fig. ci-dessous.
- N'utilisez pas de détergent abrasif car il endommagerait la hotte.



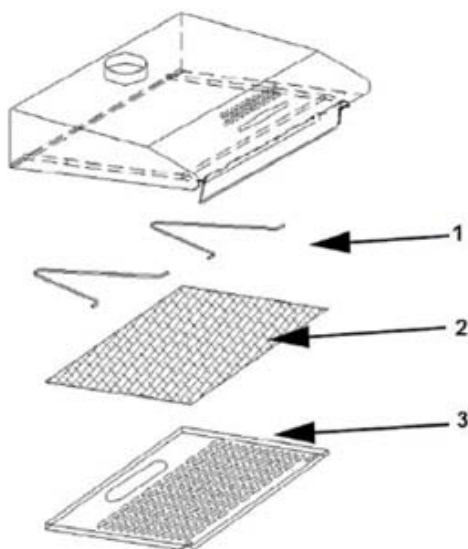
INSTALLATION DES FILTRES À TAMIS À GRAISSE

- Pour installer les filtres, suivez ces quatre étapes :
 - Inclinez le filtre pour l'introduire dans les fentes à l'arrière de la hotte ;
 - Appuyez sur le bouton situé sur la poignée du filtre ;
 - Relâchez la poignée une fois que le filtre est mis en place ;
 - Répétez cette opération pour installer tous les filtres.

FILTRE À CHARBON

Le filtre à charbon actif peut être utilisé pour capturer les odeurs. Il faut habituellement remplacer le filtre à charbon actif tous les trois ou six mois en fonction de vos habitudes de cuisine. La procédure d'installation du filtre à charbon actif est indiquée ci-dessous.

1. Enlevez le filtre à graisse.
2. Placez le filtre à charbon sur le filtre à graisse.
3. Fixez le filtre à charbon correctement placé avec le petit fil de fer.
4. Remontez le filtre à graisse.
5. N'utilisez les filtres à charbon que pour le mode recyclage.



1 Support en acier


2 Filtre à charbon

3 Filtre à graisse

REMARQUE :

- Assurez-vous que le filtre est bien verrouillé. Sinon, il pourrait se détacher et devenir dangereux.
- Quand le filtre à charbon actif est fixé, la puissance d'aspiration diminue.

REMPACEMENT DE L'AMPOULE

<p>Important :</p> 	<ul style="list-style-type: none"> ✧ L'ampoule doit être remplacée par le fabricant, le service après-vente ou d'autres personnes qualifiées. ✧ Coupez toujours le courant avant d'effectuer toute opération sur l'appareil. Quand vous manipulez l'ampoule, assurez-vous qu'elle ait entièrement refroidi avant tout contact direct avec les mains. ✧ Quand vous manipulez les ampoules, faites-le avec un chiffon ou des gants pour vous assurer tout contact entre de la transpiration et l'ampoule car cela peut réduire la durée de vie de l'ampoule.
--------------------------------------------------------------------------------------------------------	---------------------------------------------------------------------------------------------------------------------------------------------------------------------------------------------------------------------------------------------------------------------------------------------------------------------------------------------------------------------------------------------------------------------------------------------------------------------------------------------------------------------------------------------------------------------------------------------

Changer l'ampoule :

*Avant de changer les lumières, assurez-vous que l'appareil a été débranché.

*Utilisez le tournevis pour desserrer les 2 vis autotaraudeuses ST4*8 mm du panneau d'éclairage, sortez la fixation de l'éclairage. Ouvrez le boîtier des bornes qui est raccordé au câble, débranchez le connecteur du câble et remplacez l'ampoule.

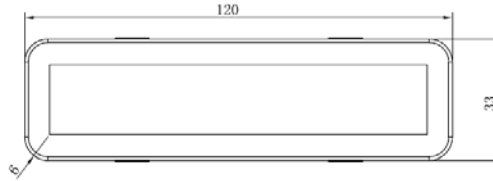
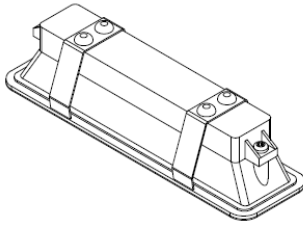
• **Le code LCOS D pour cette lampe est le suivant : DBS-2.5/65-H-120/33**

– Modules LED –lampe rectangulaire


– Puissance maxi : 2,5 W

– Plage de tension : CA 220-240 V

– Dimensions :



PROTECTION DE L'ENVIRONNEMENT

	<p>Le symbole de la poubelle barrée est apposé sur ce produit. Cela veut dire que ce produit ne doit pas être jeté avec les ordures ménagères mais doit être apporté à un centre de collecte sélective conformément à la Directive 2012/19/UE. Il sera ensuite recyclé ou démonté pour réduire au minimum l'impact sur l'environnement car les produits électriques et électroniques sont potentiellement dangereux pour l'environnement et la santé humaine car contenant des substances nocives. Pour de plus amples informations, veuillez contacter les autorités locales ou régionales.</p>
-----------------------------------------------------------------------------------	--------------------------------------------------------------------------------------------------------------------------------------------------------------------------------------------------------------------------------------------------------------------------------------------------------------------------------------------------------------------------------------------------------------------------------------------------------------------------------------------------------------------------------------------------------------------------------------------------

REMARQUE :

Les indications suivantes montrent comment réduire l'impact total sur l'environnement (par ex. utilisation de l'énergie) du processus de cuisson.

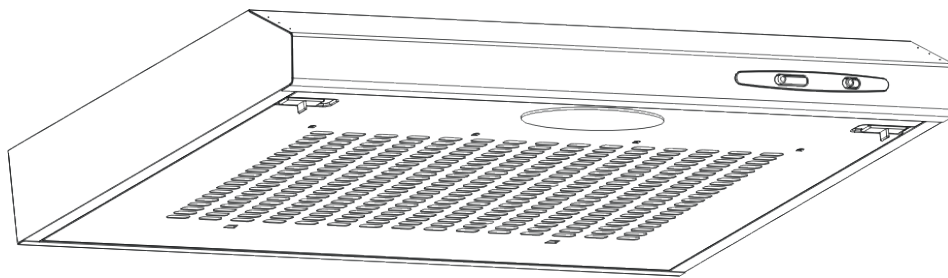
- (1) Installez la hotte aspirante à un endroit approprié disposant d'une ventilation efficace.
- (2) Nettoyez la hotte aspirante régulièrement de manière à ne pas obstruer le conduit d'air.
- (3) N'oubliez pas d'éteindre la lumière de la hotte aspirante après avoir cuisiné.
- (4) N'oubliez pas d'éteindre la hotte aspirante après avoir cuisiné.

INFORMATIONS POUR LE DÉMONTAGE

Ne démontez pas l'appareil autrement que ce qui est indiqué dans le manuel d'utilisation. L'appareil ne doit pas être démonté par l'utilisateur. À la fin de sa durée de vie, l'appareil ne doit pas être jeté avec les ordures ménagères. Adressez-vous aux autorités locales ou au revendeur pour connaître la méthode de recyclage.

Napa za štednjak

Priručnik s uputama



Sadržaj

1	Sigurnosneupute
2	Ugradnja
3	Počniterabitinapuzastjednjak
4	Rješavanjeproblema
5	Održavanjei čišćenje
6	Zaštitaokoliša

SIGURNOSNE UPUTE

U ovom priručniku opisane su pravilna ugradnja i uporaba vaše nape za štednjak; pažljivo ga pročitajte prije uporabe čak i ako vam je proizvod poznat. Priručnik treba čuvati na sigurnom mjestu da biste se njime mogli poslužiti i u budućnosti.

Nikada nemojte činiti sljedeće:

- Ne pokušavajte rabiti napu za štednjak bez filtera za masnoće ili ako su filtri izrazito masni!
- Ne ugrađujte iznad štednjaka koji ima rešetku na visokoj razini.
- Ne ostavljajte tave u kojima se prži hrana bez nadzora tijekom uporabe jer se pregrijane masti ili ulja mogu zapaliti.
- Nikada ne ostavljajte otvoreni plamen ispod nape za štednjak.



- Ako je napa za štednjak oštećena, ne pokušavajte je rabiti.
- Ne flambirajte hranu ispod nape za štednjak.
- OPREZ: Prilikom uporabe s uređajima za kuhanje dostupni dijelovi mogu se zagrijati.
- Najmanja udaljenost između potporne površine za posude za kuhanje na ploči za kuhanje i najnižeg dijela nape za štednjak. (Kada je napa za štednjak smještena iznad plinskog uređaja, ta udaljenost mora biti najmanje 65 cm)
- Zrak se ne smije ispustiti u dimnjak koji se rabi za ispušne plinove uređaja na plin ili druga goriva.



Uvijek trebate napraviti sljedeće:

- Važno! Uvijek isključite napajanje u elektroenergetskoj mreži tijekom

ugradnje i održavanja, primjerice zamjene žarulje.

- Napu za štednjak trebate ugraditi u skladu s uputama za ugradnju i trebate se pridržavati svih mjerenja.
- Sve radove ugradnje smiju obaviti samo osposobljena osoba ili kvalificirani električar.
- Pažljivo odložite ambalažni materijal. Djeci on može naškoditi.
- Obratite pažnju na oštre rubove u unutrašnjosti nape za štednjak tijekom ugradnje i čišćenja.
- Kada se štednjak nalazi iznad plinskog uređaja, najmanja udaljenost između potporne površine za posude za kuhanje na ploči za kuhanje i najnižeg dijela nape za štednjak mora biti:
Plinski štednjaci: 75 cm
Električni štednjaci: 65 cm
Štednjaci na ugljen ili ulje: 75 cm
- Pobrinite se da u kanalima nema zavoja oštrijih od 90 stupnjeva jer se tako smanjuje učinkovitost nape za štednjak.
- Upozorenje: Ako ne ugradite vijke ili pričvrсни uređaj u skladu s ovim uputama, mogu nastati rizici povezani sa strujom

Uvijek trebate napraviti sljedeće:

- Uvijek stavite poklopce na lonce i tave kada kuhate na plinskom štednjaku.
- Kada je u načinu ekstrakcije, zrak iz prostorije uklanja napa za štednjak. Svakako se pridržavajte odgovarajućih mjera za provjetravanje. Napa za štednjak uklanja neugodne mirise iz prostorije, ali ne i paru.
- Napa za štednjak namijenjena je samo uporabi u domaćinstvu.



- Ako je kabel za napajanje oštećen, trebaju ga zamijeniti proizvođač, njegov serviser ili osobe sličnih kvalifikacija radi izbjegavanja opasnosti.
- Ovaj uređaj mogu upotrebljavati djeca starija od osam godina i osobe sa smanjenim fizičkim, osjetilnim ili mentalnim sposobnostima ili nedostatkom iskustva i znanja ako su pod nadzorom ili su dobili upute u vezi sa sigurnom upotrebom uređaja te ako shvaćaju pripadajuće opasnosti. Djeca se ne smiju igrati uređajem. Djeca bez nadzora ne smiju čistiti niti obavljati postupke održavanja uređaja.



- Upozorenje: Prije nego što uspostavite pristup terminalima, trebate isključiti sve strujne krugove za napajanje.

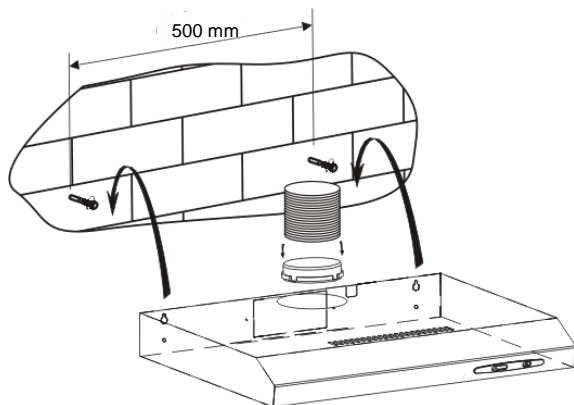
Uvijek trebate napraviti sljedeće:

- Oprez: Uređaj i njegovi pristupačni dijelovi mogu postati vrući tijekom rada. Budite pažljivi i ne dodirujte grijaće elemente. Djeca mlađa od osam godina trebaju se držati podalje osim ako su pod stalnim nadzorom.
- Prostorija mora biti propisno provjetrena kada se napa za štednjak rabi istovremeno s uređajima na plin ili druga goriva.
- Nastaje rizik od požara ako se čišćenje ne obavi u skladu s uputama
- Treba se pridržavati propisa o ispuštanju zraka.
- Povremeno očistite uređaj slijedeći način opisan u poglavlju ODRŽAVANJE.
- Iz sigurnosnih razloga upotrebljavajte samo onu veličinu pričvrsnih ili postavnih vijaka koja je preporučena u ovom priručniku s uputama.
- Kada je riječ o pojedinostima o načinu i učestalosti čišćenja, pogledajte odjeljak o održavanju i čišćenju u priručniku s uputama.
- Djeca bez nadzora ne smiju čistiti niti obavljati postupke održavanja uređaja.
- Kada istovremeno rade napa za štednjak i uređaji koji se ne napajaju strujom, potlak u prostoriji ne smije biti viši od 4 Pa (4 x 10⁻⁵ bara).
- UPOZORENJE: Opasnost od požara: ne spremajte predmete na površine za kuhanje.
- Ne smije se rabiti parni čistač.
- NIKADA ne pokušavajte ugasiti vatru vodom, nego isključite uređaj i prekrijte plamen npr. poklopcem ili protupožarnim pokrivačem.

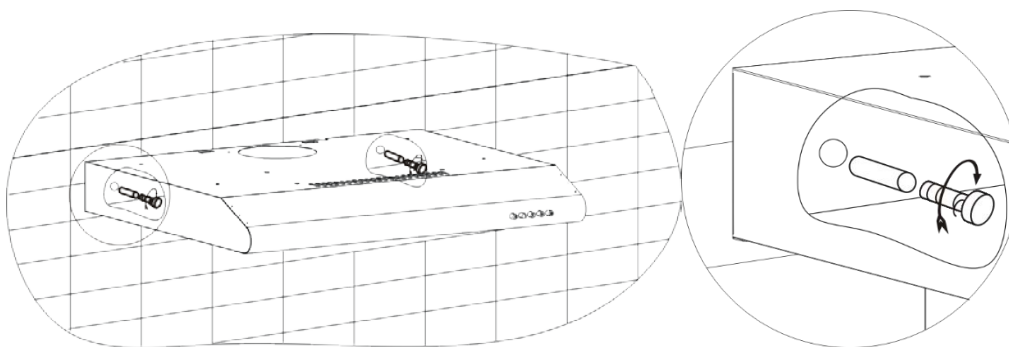
UGRADNJA

A. UGRADNJA (Postavljanje na zid)

- (1) Odaberite lokaciju otvora za pričvršćivanje nape za štednjak.
- (2) Postavite napu za štednjak na zid uporabom četiri vijka (4 x 30 mm)

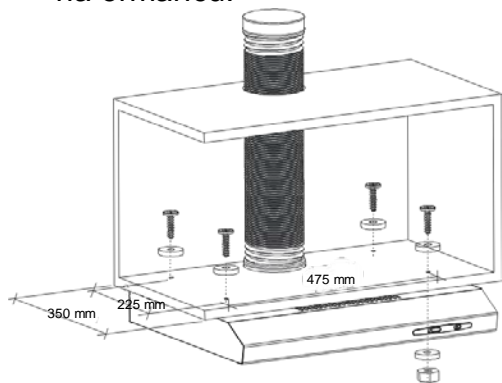


Napa za štednjak 60 cm



B. UGRADNJA (Postavljanje na ormarić)

- (1) Postavite napu za štednjak na ormariću uporabom četiri vijka (4 x 35 mm), četiri matice i ravnih podloški. Provucite četiri vijka i četiri ravne podloške od vrha ormarića do nape za štednjak i tako pričvrstite napu na ormarić. Zatim, u napi za štednjak provucite ravnu podlošku i maticu do vijka da biste zadržali uređaj na ormariću.



Napa za štednjak 60 cm

Obavijest: Dva su načina provjetravanja, uključujući „vodoravno provjetravanje” i „okomito provjetravanje”. Pazite na način provjetravanja prilikom ugradnje.

Vodoravno provjetravanje: Pogledajte Sl. 4A; upotrijebite poklopac za zatvaranje izlaza na vrhu pa se zrak može provjetravati sa stražnje strane.

Okomito provjetravanje: Pogledajte Sl. 4B; upotrijebite poklopac za zatvaranje izlaza na stražnjoj strani pa se zrak može provjetravati s vrha.

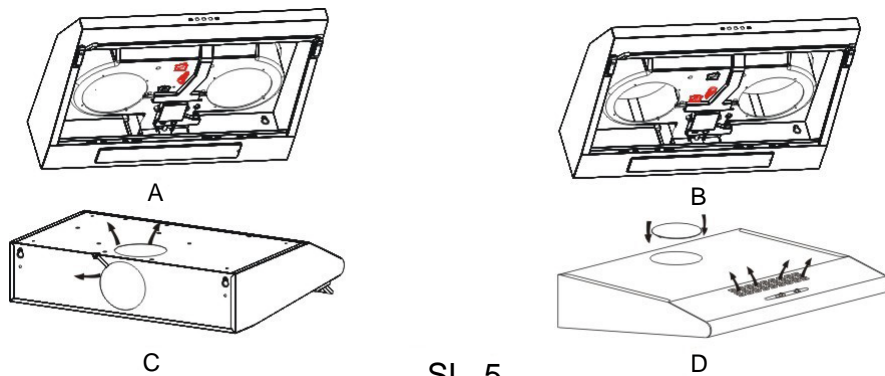


SL. 4

Postavljanje provjetravanja zraka

Vanjsko provjetravanje zraka: Okrenite prilagodnik u vanjski položaj (Sl. 5A), postavite izlaz, uključite napu za štednjak i zrak se provjetrava iz vanjskog izlaza.

Unutarnje provjetravanje zraka: Okrenite prilagodnik u unutarnji položaj (Sl. 5B), postavite poklopac izlaza, uključite napu za štednjak i zrak se provjetrava iz unutarnjeg izlaza.



SL. 5

UPOZORENJE:

- Iz sigurnosnih razloga upotrebljavajte samo onu veličinu pričvrtnih ili postavnih vijaka koja je preporučena u ovom priručniku s uputama.
- Ako ne ugradite vijke ili pričvrtni uređaj u skladu s ovim uputama, mogu nastati rizici povezani sa strujom.

Počnite rabiti napu za štednjak**Pregibni prekidač**

Tri su brzine za motor i prekidač za paljenje i gašenje svjetiljke.

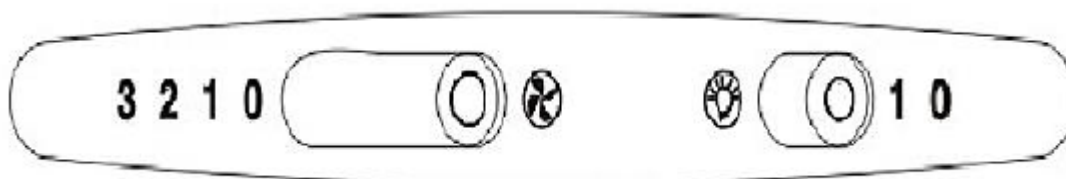
Pomaknite prekidač kliznim pokretom da biste ga uključili.

Rad motora

- 0- isključeno
- 1- Postavljanje niske snage
- 2- Postavljanje srednje snage
- 3- Postavljanje visoke snage

Rad svjetla

- 0- Isključeno
- 1- Uključeno

**RJEŠAVANJE PROBLEMA**

Kvar	Mogući uzrok	Rješenje
Svjetlo je uključeno, ali motor ne radi	Isključen je prekidač za ventilator	Odaberite položaj prekidača za ventilator.
	Kvar prekidača za ventilator	Obratite se servisnom centru.
	Kvar motora	Obratite se servisnom centru.
Svjetlo ne radi, motor ne radi	Izgorjeli osigurači	Vratite osigurače u prvotno stanje / zamijenite ih.
	Kabel za napajanje labav ili nije spojen	Ponovno utaknite kabel u utičnicu. Uključite utičnicu.
Curenje ulja	Jednosmjerni ventil i izlaz nisu čvrsto zatvoreni	Spustite jednosmjerni ventil i zabrtvite ga brtvilom.
	Curenje iz spoja dimnjaka i poklopca	Spustite dimnjak i zabrtvite ga.

Svjetla ne rade	Razbijene žarulje / žarulje u kvaru	Zamijenite žarulje prema ovoj uputi.
Nedovoljan usis	Prevelika udaljenost između nape za štednjak i plinske ploče	Postavite napu za štednjak na pravilnu udaljenost.
Naginje se napa za štednjak	Pričvrсни vijak nije dovoljno stegnut	Stegnite viseći vijak i stavite ga u vodoravan položaj.

NAPOMENA:



Bilo koji električni popravci ovoga uređaja moraju biti u skladu s lokalnim, državnim i saveznim zakonima. Obratite se servisnom centru ako imate nedoumica prije nego što poduzmete išta od gore navedenog. Uvijek isključite napajanje kada otvarate jedinicu.

ODRŽAVANJE I ČIŠĆENJE

Oprez:

- Prije nego što izvedete održavanje ili čišćenje, trebete isključiti napajanje nape za štednjak. Pobrinite se da je napa za štednjak isključena iz zidne utičnice i da je utikač uklonjen.
- Vanjske su površine podložne ogrebotinama i abraziji; stoga se pridržavajte uputa za čišćenje da biste postigli najbolje rezultate bez oštećenja.



OPĆENITO

Čišćenje i održavanje, osobito čišćenje, treba izvoditi dok je uređaj hladan. Ne ostavljajte lužnate ili kisele tvari (limunov sok, ocat itd.) na površinama.

NEHRĐAJUĆI ČELIK

Nehrđajući čelik treba redovito čistiti (tj. svaki tjedan) radi dugog radnog vijeka. Osušite čistom mekanom krpom. Možete upotrijebiti i specijalnu tekućinu za čišćenje nehrđajućeg čelika.

NAPOMENA:

Pobrinite se da brisanje izvodite u smjeru teksture nehrđajućeg čelika radi sprječavanja pojave neuglednih poprečnih linija.

POVRŠINA UPRAVLJAČKE PLOČE

Oblogu upravljačke ploče možete očistiti toplom sapunastom vodom. Provjerite je li krpa čista i dobro iscijeđena prije čišćenja. Upotrijebite suhu meku krpom za uklanjanje viška vlage nakon čišćenja.

Važno

Upotrebljavajte neutralne deterdente i izbjegavajte teške kemikalije za čišćenje, jake deterdžente za domaćinstvo ili proizvode koji sadrže abrazive, jer to utječe na izgled uređaja i time možete ukloniti otisnuti materijal na upravljačkoj ploči i tako poništiti jamstvo.

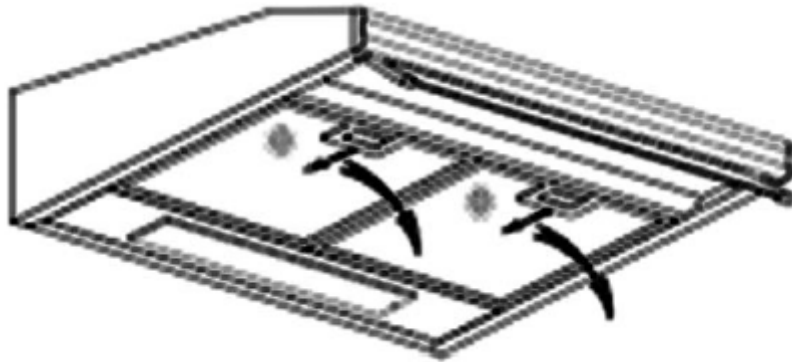
FILTRI S MREŽICOM ZA MASNOĆE

Filtre možete očistiti ručno. Umočite ih otprilike tri minute u vodu s deterdžentom za otapanje masnoća, a zatim ih lagano iščerkajte mekanom četkom. Ne pritišćite previše

da ne biste oštetili filtre. (Ostavite da se osuše prirodnim putem, podalje od izravne Sunčeve svjetlosti)

Filtre treba prati odvojeno od posuđa i kuhinjskog pribora. Ne preporučuje se uporaba sredstva za ispiranje.

- Uklanjanje filtara prema uputama na Sl. u nastavku.
- Ne rabite abrazivne deterdžente jer ćete tako oštetiti napu.



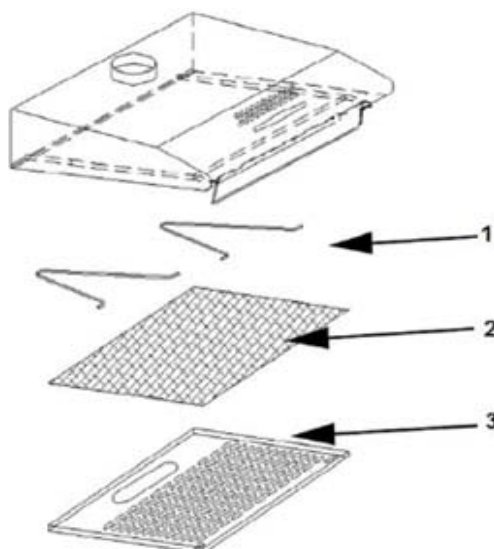
UGRADNJA FILTERA S MREŽICOM ZA MASNOĆE

- Slijedite sljedeća četiri koraka za ugradnju filtara.
- Stavite filtar pod kutom u utore na stražnjoj strani nape.
- Pritisnite gumb na ručki filtra.
- Otpustite ručku kada filtar upadne u položaj mirovanja.
- Ponovite postupak za ugradnju svih filtara.

UGLJENI FILTER

Filtar od aktivnog ugljena može se upotrijebiti za sprječavanje širenja neugodnih mirisa. Filtar od aktivnog ugljena normalno treba promijeniti nakon tri do šest mjeseci, ovisno o vašim navikama kuhanja. Postupak ugradnje filtra od aktivnog ugljena objašnjen je u nastavku.

1. Izvucite filtar za masnoće.
2. Stavite ugljeni filtar na filtar za masnoće.
3. Pričvrstite propisno namješten ugljeni filtar malom čeličnom žicom.
4. Ponovno ugradite filtar za masnoće.
5. Upotrebljavajte ugljeni filtar samo u načinu ponovnog protoka.



1. Čelična kuka


2. Ugljeni filtar

3. Filtar za masnoće

NAPOMENA:

- Filtar mora biti sigurno zaključan. Inače bi mogao olabaviti i prouzročiti opasne situacije.
- Kada je filtar od aktivnog ugljena pričvršćen, usisna je snaga manja.

ZAMJENA ŽARULJE

<p>Važno:</p> 	<ul style="list-style-type: none"> ✧ Žarulju trebaju zamijeniti proizvođač, njegov serviser ili osobe sličnih kvalifikacija. ✧ Uvijek isključite napajanje prije izvođenja bilo kojih radnji na uređaju. Kada rukujete žaruljom, pričekajte da se potpuno ohladi prije nego što dođe u izravan doticaj s rukama. ✧ Kada rukujete žaruljama upotrijebite krpu ili stavite rukavice da znoj ne bi došao u doticaj sa žaruljom budući da joj to smanjuje vijek trajanja.
---------------------------------------------------------------------------------------------------	--------------------------------------------------------------------------------------------------------------------------------------------------------------------------------------------------------------------------------------------------------------------------------------------------------------------------------------------------------------------------------------------------------------------------------------------------------------------------------------------------------

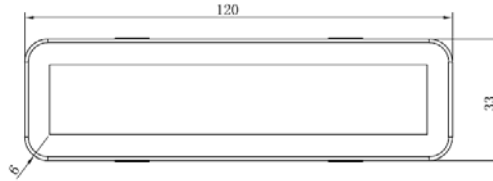
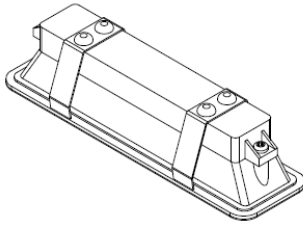
Mijenjanje svjetla:

*Prije mijenjanja svjetla pobrinite se da je uređaj isključen.

*Odvijačem olabavite samourezni vijak ST4*8MM (dva kom) s rasvjetne ploče za osvijetljavanje i izvucite rasvjetnu opremu. Otvorite priključnu kutiju koja je spojena žicom, odspojite žični poveznik i zamijenite svjetiljku.

• Šifra ILCOS D za ovu svjetiljku je: DBS-2.5/65-H-120/33

- moduli LED –pravokutna svjetiljka
- Najveća snaga: 2,5 W
- Područje napona: AC 220 – 240 V
- Dimenzije:



ZAŠTITA OKOLIŠA:



Ovaj je proizvod označen simbolom za selektivno razvrstavanje otpadne elektroničke opreme. To znači da se ovaj proizvod ne smije odlagati s otpadom iz domaćinstva, nego ga treba zbrinuti sukladno sustavu za selektivno prikupljanje prema Direktivi br. 2012/19/EU. Nakon toga se reciklira ili rastavlja radi svođenja utjecaja na okoliš na najmanju moguću mjeru. Električni i elektronički proizvodi potencijalno su opasni za okoliš i ljudsko zdravlje zbog prisutnosti opasnih tvari. Više informacija mogu vam pružiti lokalna ili regionalna nadležnih tijela.

NAPOMENA:

U nastavku je prikazano kako smanjiti ukupan utjecaj postupka kuhanja (tj. uporabe energije) na okoliš.

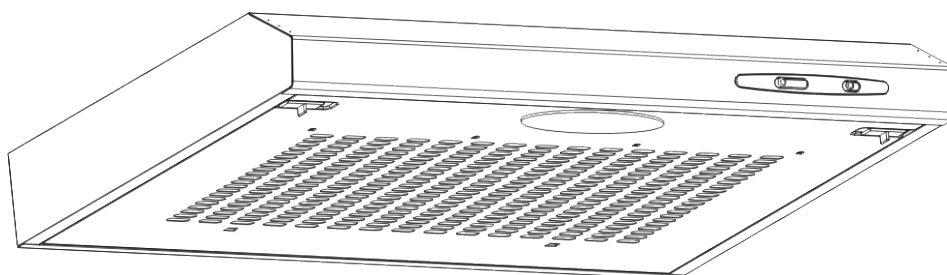
- (1) Ugradite napu za štednjak na pravo mjesto s propisnim provjetranjem.
- (2) Redovito čistite napu za štednjak radi sprječavanja blokiranja zračnog puta.
- (3) Ne zaboravite isključiti svjetlo nape za štednjak nakon kuhanja.
- (4) Ne zaboravite isključiti napu za štednjak nakon kuhanja.

INFORMACIJE O RASTAVLJANJU

Ne rastavljajte uređaj na način koji nije prikazan u korisničkom priručniku. Korisnik ne smije rastavljati uređaj. Na kraju radnog vijeka uređaj se ne smije odložiti s otpadom iz domaćinstva. Vaše lokalno nadležno tijelo ili njegov predstavnik mogu vam dati savjete o recikliranju.

Cappa per cucina

Manuale di istruzioni



Indice

1	Avvertenze sulla sicurezza
2	Installazione
3	Funzionamento della cappa
4	Soluzione dei problemi
5	Pulizia e manutenzione
6	Protezione dell'ambiente

AVVERTENZE SULLA SICUREZZA

Questo manuale fornisce istruzioni per installare e utilizzare correttamente la cappa, per cui occorre consultarle attentamente anche se il prodotto è già conosciuto. Conservare questo manuale in un luogo sicuro per consultazioni successive.

Cosa non fare:

- Non utilizzare la cappa se i filtri per il grasso mancano o sono sporchi.
- Non installare su fornelli che producono fiamme alte.
- Non lasciare incustodite le padelle per le frittiture, in quanto il surriscaldamento dell'olio o dei grassi potrebbe provocare incendi.
- Non produrre fiamme alte sotto la cappa.



- Non utilizzare la cappa se è danneggiata.
- Non cucinare pietanze al flambé sotto la cappa.
- **ATTENZIONE:** i componenti accessibili potrebbero diventare troppo caldi quando la cappa viene utilizzata con altri elettrodomestici per la cottura degli alimenti.
- Attenersi alla distanza minima tra la superficie di supporto delle pentole sul piano cottura e la parte inferiore della cappa. Se la cappa viene installata su un elettrodomestico a gas, la distanza minima è almeno 65 cm.
- L'aria non deve essere scaricata nella canna fumaria utilizzata per l'evacuazione dei fumi di elettrodomestici che bruciano gas o altri combustibili.



Cosa fare:

- **Importante:** durante l'installazione e la manutenzione (ad es. la sostituzione della lampadina), scollegare sempre la fonte di alimentazione elettrica.
- La cappa deve essere installata esattamente come descritto nelle istruzioni.
- L'installazione deve essere effettuata da un elettricista professionista o da una persona competente.
- Smaltire correttamente i materiali di imballo, mantenendoli fuori dalla portata dei bambini.
- Accertarsi che nella cappa non rimangano oggetti taglienti, specialmente durante le operazioni di installazione e manutenzione.
- Se la cappa viene installata su un elettrodomestico a gas, rispettare la distanza minima tra la superficie di supporto delle pentole sul piano cottura e la parte inferiore della cappa:
Fornelli a gas: 75 cm
Fornelli elettrici: 65 cm
Fornelli a olio o carbone: 75 cm
- Accertarsi che le curvature dei tubi non siano inferiori a 90 gradi, altrimenti l'efficienza della cappa diminuisce.
- **Avvertenza:** per evitare pericoli dovuti all'elettricità, installare tutte le viti e i dispositivi di fissaggio descritti nelle presenti istruzioni.

Cosa fare:

- Se il fornello è a gas, coprire sempre le pentole con i coperchi.
- In modalità estrazione, l'aria nell'ambiente viene rimossa dalla cappa. Predisporre un'adeguata ventilazione. La cappa elimina gli odori dall'ambiente, ma non il vapore.
- La cappa deve essere utilizzata solo in ambienti domestici.



- Se il cavo di alimentazione è danneggiato deve essere sostituito dal produttore, da un rappresentante o da una persona competente per evitare rischi.
- Questo elettrodomestico può essere utilizzato da bambini di almeno 8 anni, da persone con ridotte capacità fisiche, sensoriali o mentali e da persone inesperte solo se sono controllate o se hanno appreso le modalità di utilizzo sicuro dell'elettrodomestico e sono consapevoli dei relativi rischi. Impedire ai bambini di giocare con l'elettrodomestico. La pulizia e la manutenzione non devono essere effettuate dai bambini senza supervisione.



- Avvertenza: scollegare l'alimentazione elettrica prima di accedere ai terminali elettrici.

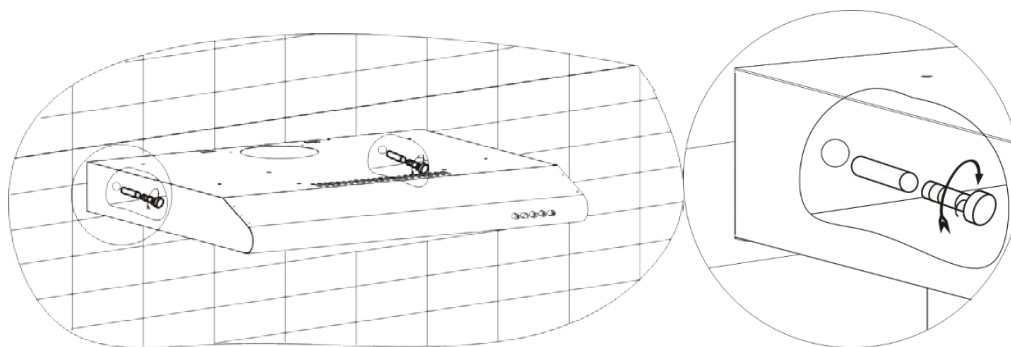
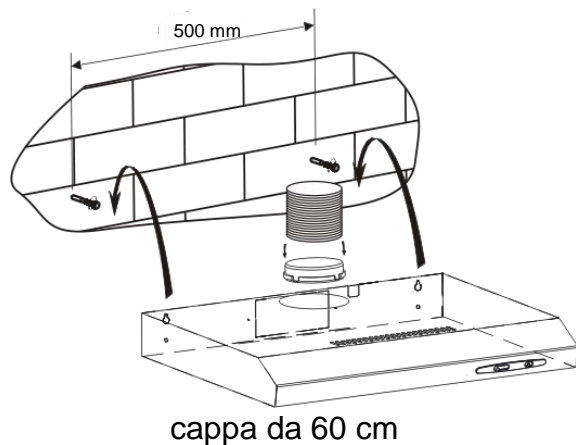
Cosa fare:

- Attenzione: l'elettrodomestico e i componenti accessibili potrebbero diventare molto caldi durante l'uso. Non toccare le resistenze. Tenere lontani i bambini di età inferiore a 8 anni o sorvegliarli continuamente.
- Se la cappa viene utilizzata assieme a elettrodomestici che bruciano gas o altri combustibili, predisporre un'adeguata ventilazione dell'ambiente.
- Per evitare il rischio di incendi, eseguire le operazioni di pulizia come descritto nelle istruzioni.
- Attenersi scrupolosamente alle norme e ai regolamenti inerenti allo scarico dell'aria.
- Pulire periodicamente l'elettrodomestico con il metodo descritto nel capitolo MANUTENZIONE.
- Per motivi di sicurezza, utilizzare solo viti o dispositivi di montaggio delle dimensioni consigliate nel presente manuale di istruzioni.
- Per la frequenza e il metodo di pulizia, fare riferimento alle istruzioni dettagliate contenute nella sezione dedicata alla pulizia e alla manutenzione.
- La pulizia e la manutenzione non devono essere effettuate dai bambini senza supervisione.
- Se la cappa viene utilizzata contemporaneamente ad altri elettrodomestici alimentati con fonti alternative all'elettricità, la pressione negativa dell'ambiente non deve essere superiore a 4 Pa (4×10^{-5} bar).
- AVVERTENZA: per evitare il rischio di incendi, non collocare oggetti sulle superfici di cottura.
- Non adoperare elettrodomestici per la pulizia a vapore.
- In caso di incendio, non provare MAI a estinguerlo con l'acqua; spegnere l'elettrodomestico e coprire la fiamma con un coperchio o una coperta antincendio.

INSTALLAZIONE

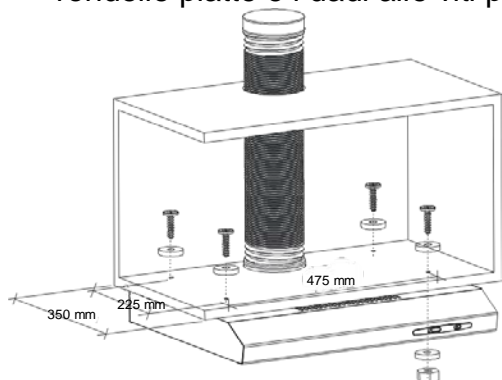
A. INSTALLAZIONE (montaggio a parete)

- (1) Stabilire la posizione dei fori per il fissaggio della cappa.
- (2) Montare la cappa a parete utilizzando 4 viti da 30 mm.



B. INSTALLAZIONE (montaggio in vano)

- (1) Montare la cappa sul vano utilizzando 4 viti da 35 mm, 4 dadi e rondelle piatte. Fissare la cappa al vano inserendo 4 viti e 4 rondelle piatte dalla parte superiore del vano alla cappa. All'interno della cappa, quindi, applicare le rondelle piatte e i dadi alle viti per fissare l'elettrodomestico al vano.



Avviso: la ventilazione può essere predisposta in orizzontale o in verticale. Scegliere il metodo di ventilazione durante l'installazione.

Ventilazione orizzontale: per evacuare l'aria dalla parte posteriore, sigillare con il coperchio lo scarico superiore (Fig. 4A).

Ventilazione verticale: per evacuare l'aria dalla parte superiore, sigillare con il coperchio lo scarico posteriore (Fig. 4B).



Figura 4

Impostazione della ventilazione dell'aria

Evacuazione dell'aria all'esterno: ruotare il regolatore in posizione esterna (Fig. 5A), installare lo scarico e accendere la cappa per evacuare l'aria dallo scarico esterno.

Evacuazione dell'aria all'interno: ruotare il regolatore in posizione interna (Fig. 5B), installare il coperchio dello scarico e accendere la cappa per evacuare l'aria dallo scarico interno.

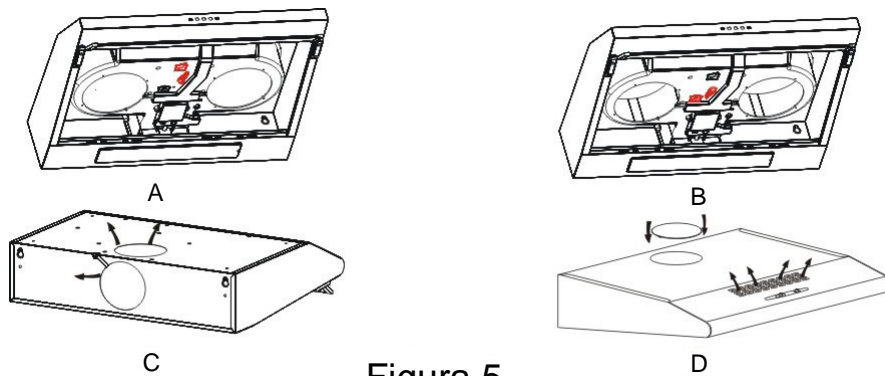



Figura 5

AVVERTENZA: 	<ul style="list-style-type: none"> ➤ Per motivi di sicurezza, utilizzare solo viti o dispositivi di montaggio delle dimensioni consigliate nel presente manuale di istruzioni. ➤ Per evitare pericoli dovuti all'elettricità, installare tutte le viti e i dispositivi di fissaggio descritti nelle presenti istruzioni.
---------------------------------------------------------------------------------------------------------	--------------------------------------------------------------------------------------------------------------------------------------------------------------------------------------------------------------------------------------------------------------------------------------------------------------------------------------------------

Funzionamento della cappa

Interruttori

È presente un interruttore che consente di scegliere 3 velocità di rotazione del motore e un interruttore per accendere e spegnere la lampada.

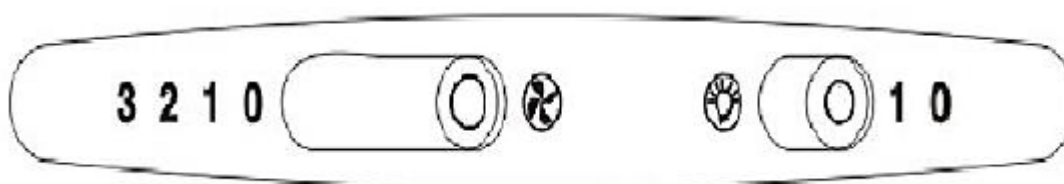
Fare scorrere l'interruttore per azionare la cappa.

Funzionamento del motore

- 0- Spento
- 1- Potenza bassa
- 2- Potenza media
- 3- Potenza alta

Funzionamento dell'illuminazione

- 0- Spenta
- 1- Accesa



SOLUZIONE DEI PROBLEMI

Guasto	Causa possibile	Soluzione
La luce si accende ma il motore non funziona.	Interruttore del ventilatore spento.	Scegliere una posizione di funzionamento del ventilatore.
	L'interruttore del ventilatore non funziona.	Rivolgersi al centro assistenza.
	Il motore non funziona.	Rivolgersi al centro assistenza.
La luce non si accende ma il motore funziona.	Fusibili dell'impianto bruciati.	Resettare o sostituire i fusibili.
	Cavo di alimentazione allentato o scollegato.	Inserire la spina nella presa di corrente. Accendere la cappa.
Perdita d'olio.	Valvola a 1 via o scarico non sigillati perfettamente.	Staccare la valvola a 1 via e sigillarla.

	Perdita dal collegamento del camino e del coperchio.	Smontare il camino e sigillarlo.
La luce non funziona.	Lampadina guasta.	Sostituire la lampadina come indicato nelle istruzioni.
Aspirazione insufficiente	La distanza tra la cappa e il fornello a gas è eccessiva.	Rimontare la cappa a una distanza corretta.
La cappa si inclina.	La vite di fissaggio non è stata stretta a sufficienza.	Stringere la vite di fissaggio per collocare la cappa orizzontale.

NOTA:



Eventuali riparazioni elettriche all'elettrodomestico devono essere conformi alle normative nazionali e locali. In caso di dubbi, rivolgersi al centro assistenza. Prima di smontare l'elettrodomestico, scollegarlo sempre dalla fonte di alimentazione elettrica.

PULIZIA E MANUTENZIONE

Attenzione:

- Prima di eseguire le operazioni di pulizia e manutenzione, scollegare la cappa dalla fonte di alimentazione elettrica. Accertarsi che la cappa sia spenta e che la spina sia staccata dalla presa.



- Le superfici esterne sono sensibili ai graffi e alle abrasioni, per cui attenersi scrupolosamente alle istruzioni per la pulizia per ottenere i migliori risultati possibili senza danni.

GENERALITÀ

La pulizia e la manutenzione devono essere eseguite con l'elettrodomestico freddo, specialmente la pulizia. Non lasciare sostanze acide o alcaline (ad es. aceto o succo di limone) sulle superfici.

ACCIAIO INOX

L'acciaio inox richiede una pulizia regolare (ad es. ogni settimana) per ottimizzarne la durata. Pulire con un panno morbido e pulito. È possibile utilizzare detergenti liquidi per acciaio inox.

NOTA:

strofinare lungo la trama dell'acciaio inox per evitare graffi trasversali antiestetici.

SUPERFICIE DEL PANNELLO DI CONTROLLO

Pulire le incrostazioni sul pannello di controllo con acqua calda e sapone. Utilizzare un panno pulito e ben strizzato. Per eliminare l'umidità in eccesso dopo la pulizia, adoperare un panno morbido.

Importante

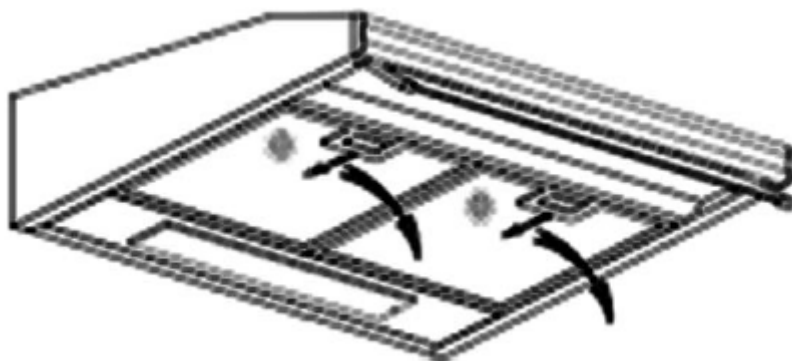
Utilizzare detergenti neutri, evitando l'impiego di sostanze chimiche, detersivi potenti o prodotti contenenti abrasivi, per evitare macchie o graffi che annullano la garanzia del produttore.

FILTRI ANTIGRASSO A MAGLIA

I filtri possono essere puliti manualmente. Lasciarli immersi per 3 minuti in acqua con un detergente che scioglie il grasso e spazzolarli delicatamente con una spazzola morbida. Non applicare troppa pressione, altrimenti potrebbero danneggiarsi. Lasciarli asciugare naturalmente, al riparo dalla luce solare diretta.

I filtri devono essere lavati separatamente dalle stoviglie e dagli utensili di cucina, preferibilmente senza utilizzare brillantante.

- Togliere i filtri come illustrato nella figura seguente.
- Non utilizzare detersivi abrasivi che potrebbero danneggiare la cappa.



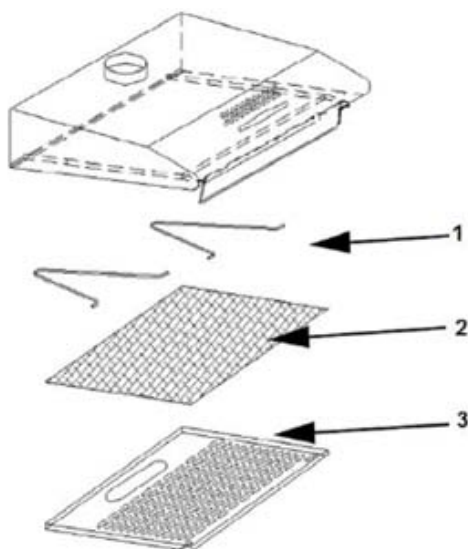
INSTALLAZIONE DEI FILTRI ANTIGRASSO A MAGLIA

- Per installare i filtri, attenersi alla procedura seguente:
 - Inserire il filtro nelle feritoie posteriori della cappa.
 - Premere il pulsante sulla maniglia del filtro.
 - Lasciare il pulsante quando il filtro è nella posizione corretta.
 - Ripetere l'operazione per installare tutti i filtri.

FILTRI A CARBONE

Per catturare gli odori è possibile utilizzare filtri ai carboni attivi. Normalmente questi filtri devono essere sostituiti ogni 3-6 mesi, in base all'uso della cucina. Di seguito è indicata la procedura di installazione dei filtri a carboni attivi.

1. Togliere il filtro antigrasso.
2. Collocare il filtro a carbone sul filtro antigrasso.
3. Sistemare correttamente il filtro a carboni e fissarlo con le staffe in filo d'acciaio.
4. Rimontare il filtro antigrasso.
5. Utilizzare i filtri a carbone solo in modalità ricircolo.



1 Staffe d'acciaio


2 Filtro a carbone

3 Filtro antigrasso

NOTA:

- Accertarsi che il filtro sia bloccato, altrimenti potrebbe allentarsi e provocare danni.
- Se si utilizza un filtro a carboni attivi, la potenza di aspirazione si riduce.

SOSTITUZIONE DELLA LAMPADINA

<p>Importante:</p> 	<ul style="list-style-type: none"> ✧ La lampadina deve essere sostituita dal produttore, da un rappresentante o da una persona qualificata. ✧ Prima di effettuare qualunque operazione sull'elettrodomestico, scollegare sempre la fonte di alimentazione elettrica. Prima di toccare la lampadina con le mani, accertarsi che si sia raffreddata completamente. ✧ Per prolungare la durata della lampadina, maneggiare i portalampada con un panno o con i guanti per evitare che il sudore entri a contatto con lampadina.
--------------------------------------------------------------------------------------------------------	---------------------------------------------------------------------------------------------------------------------------------------------------------------------------------------------------------------------------------------------------------------------------------------------------------------------------------------------------------------------------------------------------------------------------------------------------------------------------------------------------------------------------------------------------------------

Sostituzione della lampadina:

*Prima di sostituire la lampadina, accertarsi che la spina dell'elettrodomestico sia staccata.

*Svitare le 2 viti autofilettanti ST4 da 8 mm del pannello di illuminazione ed estrarre la lampada. Aprire il vano dei terminali di collegamento del cavo, scollegare il connettore e sostituire la lampadina.

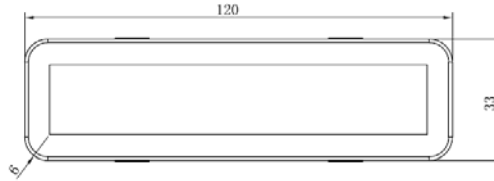
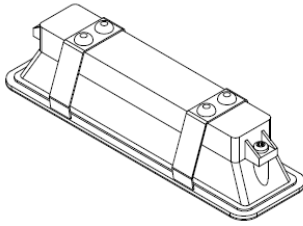
• **Codice ILCOS D per la lampadina: DBS-2.5/65-H-120/33**

– Moduli a LED – lampadina rettangolare


– Wattaggio max: 2,5 W

– Intervallo di tensione: 220-240 Vca

– Dimensioni:



PROTEZIONE AMBIENTALE:

	<p>Questo prodotto è contrassegnato con il simbolo che indica la necessità di un corretto smaltimento delle apparecchiature elettroniche. Questo prodotto, infatti, non deve essere gettato via tra i rifiuti comuni, ma deve essere smaltito adeguatamente in base alla direttiva 2012/19/U. L'elettrodomestico deve essere riciclato o demolito per ridurre al minimo l'impatto sull'ambiente. I prodotti elettrici ed elettronici, infatti, rappresentano una fonte di pericolo per l'ambiente e la salute umana a causa della presenza di sostanze pericolose. Per ulteriori informazioni, rivolgersi alle autorità locali.</p>
-----------------------------------------------------------------------------------	-------------------------------------------------------------------------------------------------------------------------------------------------------------------------------------------------------------------------------------------------------------------------------------------------------------------------------------------------------------------------------------------------------------------------------------------------------------------------------------------------------------------------------------------------------------------------------------------------------------------------------------

NOTA:

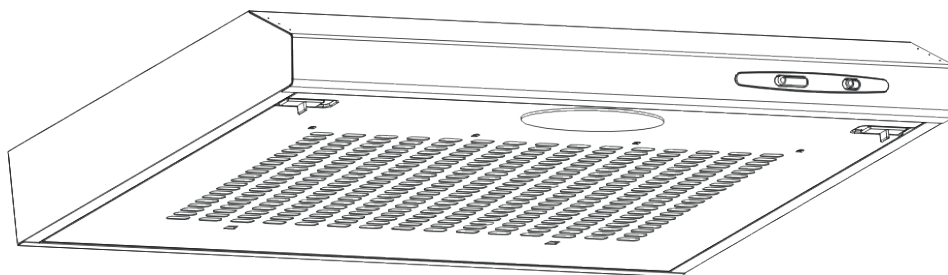
Le istruzioni fornite di seguito spiegano come ridurre l'impatto ambientale totale (ad es. l'uso dell'energia) quando si cucina.

- (1) Installare la cappa in un luogo corretto e adeguatamente ventilato.
- (2) Pulire regolarmente la cappa per evitare ostruzioni nel percorso dell'aria.
- (3) Dopo la cottura, spegnere la lampada della cappa.
- (4) Dopo la cottura, spegnere la cappa.

INFORMAZIONI SULLO SMONTAGGIO

Per smontare l'elettrodomestico, attenersi scrupolosamente alle istruzioni contenute in questo manuale. L'elettrodomestico non può essere smontato dall'utente. Alla fine del ciclo di vita, l'elettrodomestico non deve essere gettato via come rifiuto comune. Consultare le autorità locali o il fornitore per il corretto smaltimento.

Dampkap Handleiding



Inhoud

1	Veiligheidsinstructies
2	Installatie
3	Uw dampkap gebruiken
4	Problemen oplossen
5	Onderhoud en reiniging
6	Milieubescherming

VEILIGHEIDSINSTRUCTIES

Deze handleiding geeft uitleg hoe u uw dampkap correct moet installeren en gebruiken. Lees de instructies aandachtig voordat u het toestel gebruikt, zelfs als u met dit product vertrouwd bent. Houd de handleiding op een veilige plaats om die later te kunnen raadplegen.

Het volgende mag u nooit doen:

- Probeer niet om de dampkap zonder de vetfilters te gebruiken, of als de filters bijzonder vettig zijn!
- Niet boven een fornuis installeren met een grill op hoog niveau.
- Laat geen frituurpannen zonder toezicht tijdens het gebruik, gezien oververhit vet en olie vuur kan vatten.
- Laat nooit vrije vlammen onder de dampkap.



- Probeer niet om de dampkap toch te gebruiken als die beschadigd is.
- Niet flamberen onder de dampkap.
- **OPGELET:** Toegankelijke delen kunnen heet worden wanneer ze met kooktoestellen worden gebruikt.
- De minimale afstand tussen het steunoppervlak voor kookgerei op het fornuis en de onderkant van de dampkap. (Wanneer de dampkap boven een gasfornuis is aangebracht, dan moet deze afstand minstens 65 cm bedragen)
- De lucht mag niet worden afgelaten in een buis die wordt gebruikt voor uitlaatgassen van toestellen die gas of andere brandstoffen verbranden.



Het volgende moet u altijd doen:

- **Belangrijk!** Schakel de elektrische voeding op de stroomvoorziening altijd

uit tijdens het installeren of het onderhoud, bijvoorbeeld wanneer u een lampje moet vervangen.

- De dampkap moet worden geïnstalleerd in overeenstemming met de instructies voor het installeren, en alle maten moeten worden gerespecteerd.
- Alle installatiewerken moeten door een bekwame persoon of een gekwalificeerde elektricien worden uitgevoerd.
- Gelieve de verpakking zorgvuldig te verwijderen. Kinderen kunnen er immers door verwond raken.
- Let op voor scherpe randen vanbinnen in de dampkap, vooral tijdens het installeren en het schoonmaken.
- Wanneer de dampkap boven een gastoestel is geïnstalleerd, moet de minimale afstand tussen het steunoppervlak voor kookgerei op het fornuis en de onderkant van de dampkap als volgt zijn:

Gasfornuizen:	75 cm
Elektrische fornuizen:	65 cm
Fornuizen op kolen of olie:	75 cm
- Zorg ervoor dat de buigingen in de leidingen niet meer dan 90 graden bedragen, omdat dit de efficiëntie van de dampkap anders vermindert.
- **Waarschuwing:** Wanneer de schroeven of de bevestiging niet volgens deze instructies zijn geïnstalleerd, kan dit elektrische gevaren met zich meebrengen

Het volgende moet u altijd doen:

- **A** Doe altijd het deksel op de potten en pannen wanneer u op een gasfornuis kookt.
- Wanneer het apparaat in zuigmodus is, wordt de lucht in de kamer door de dampkap weggezogen. Zorg ervoor dat de correcte ventilatiemaatregelen worden nageleefd. De dampkap verwijdert geuren uit de kamer, maar geen stoom.
- De dampkap is uitsluitend voor huishoudelijk gebruik.



- Als het netsnoer beschadigd is, moet het worden vervangen door de fabrikant, diens vertegenwoordiger of vergelijkbaar gekwalificeerde personen om gevaar te voorkomen.
- Dit apparaat mag worden gebruikt door kinderen vanaf 8 jaar en door personen met verminderde lichamelijke, zintuiglijke of geestelijke vermogens of met een gebrek aan ervaring en kennis, mits deze geschikt toezicht hebben of instructies hebben gekregen om het apparaat veilig te kunnen gebruiken en de gevaren die erbij betrokken zijn te kunnen begrijpen. Kinderen mogen niet met het apparaat spelen. Het schoonmaken en het onderhoud mag niet door kinderen worden uitgevoerd als zij niet onder toezicht staan.



- **Waarschuwing:** Vooraleer naar de eindklemmen te gaan, moeten alle voedingscircuits worden losgekoppeld.

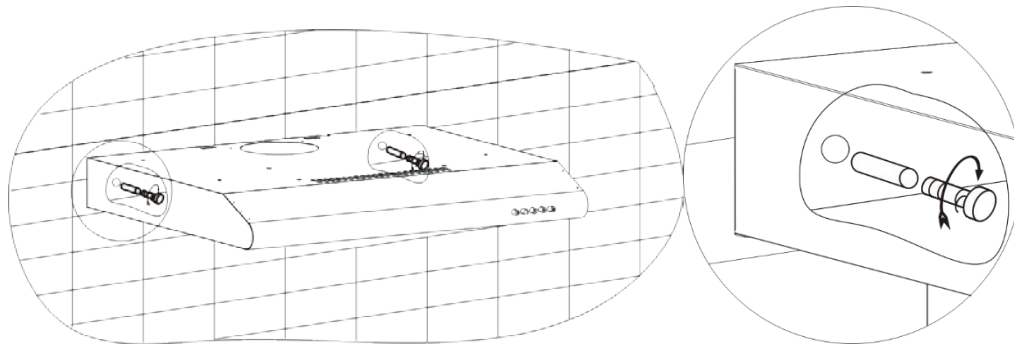
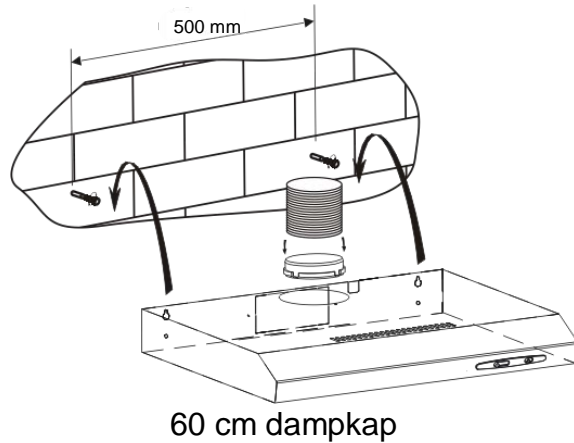
Het volgende moet u altijd doen:

- **Opgelet:** Tijdens de werking kunnen het apparaat en de toegankelijke delen ervan erg heet worden. Let op wanneer u de verwarmingselementen aanraakt. Kinderen jonger dan 8 jaar moeten uit de buurt blijven, tenzij zij onder voortdurend toezicht staan.
- Zorg voor voldoende ventilatie van de kamer wanneer de dampkap gelijktijdig met toestellen die gas of andere brandstoffen verbranden wordt gebruikt.
- Er is brandgevaar als de reiniging niet conform met de instructies wordt gebruikt
- Respecteer de voorschriften wat de luchtafvoer betreft.
- Reinig uw apparaat regelmatig volgens de methode die in het hoofdstuk ONDERHOUD wordt gegeven.
- Omwille van de veiligheid mag u enkel een bevestigings- of montageschroef van dezelfde grootte gebruiken, zoals aanbevolen in de gebruikshandleiding.
- Raadpleeg het hoofdstuk over het onderhoud en de reiniging voor de details wat de methode en de frequentie van de reiniging betreft.
- Het schoonmaken en het onderhoud mag niet door kinderen worden uitgevoerd als zij niet onder toezicht staan.
- Wanneer de dampkap en toestellen gevoed met andere energie dan elektriciteit tegelijk in werking zijn, dan mag de onderdruk in de kamer niet meer dan 4 Pa (4×10^{-5} bar) bedragen.
- **WAARSCHUWING:** Brandgevaar: stapel geen voorwerpen op de kookoppervlakken.
- U mag geen stoomreiniger gebruiken.
- Probeer **NOOIT** om brand met water te blussen, maar schakel het apparaat uit en bedek de vlam dan met bijvoorbeeld een deksel of een branddeken.

INSTALLATIE

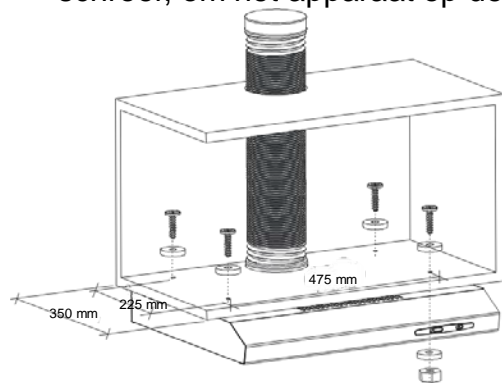
A. INSTALLATIE (montage op de muur)

- (1) Bepaal de plaats van de gaten om de dampkap vast te maken.
- (2) Monteer de dampkap op de muur met 4 schroeven (4 x 30 mm)



B. INSTALLATIE (montage op een kast)

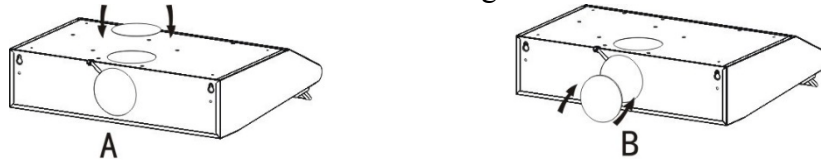
- (1) Monteer de dampkap op de kast met 4 schroeven (4x35 mm), 4 moeren en vlakke sluitringen. Bevestig de dampkap op de kast door de 4 schroeven en 4 vlakke sluitringen van de bovenkant van de kast naar de dampkap toe te steken. Vanbinnen in de dampkap steekt u dan de vlakke sluitring en de moer door de schroef, om het apparaat op de kast te houden.



Geluid: Er zijn 2 methoden voor de ventilatie: 'horizontale ventilatie' en 'verticale ventilatie'. Besteed aandacht aan de ventilatiemethode wanneer u de installatie uitvoert.

Horizontale ventilatie: Zie afb. 4A, gebruik de afdekking om de uitlaat aan de bovenkant af te dekken. Zo kan de lucht aan de achterkant worden afgevoerd.

Verticale ventilatie: Zie afb. 4B, gebruik de afdekking om de uitlaat aan de achterkant af te dekken. Zo kan de lucht aan de bovenkant worden afgevoerd.

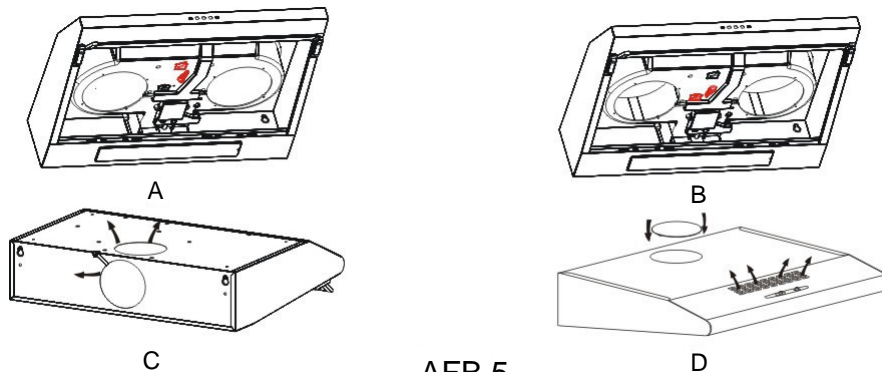


AFB 4

Instelling van de luchtventilatie

Luchtventilatie van buiten: Zet de instelling op de stand buiten (afb. 5A), installeer de uitlaat en zet de dampkap aan. Nu wordt de lucht van buiten geventileerd.

Luchtventilatie van binnen: Zet de instelling op de stand binnen (afb. 5B), installeer de afdekking van de uitlaat en zet de dampkap aan. Nu kan de lucht van binnen worden geventileerd.



AFB 5

WAARSCHUWING:



- Omwille van de veiligheid mag u enkel een bevestigings- of montageschroef van dezelfde grootte gebruiken, zoals aanbevolen in de gebruikshandleiding.
- Wanneer de schroeven of de bevestiging niet volgens deze instructies is geïnstalleerd, kan dit elektrische gevaren met zich meebrengen.

Uw dampkap gebruiken **Schakelaar**

Er zijn 3 snelheden voor de motor en een aan/uit-schakelaar voor de lamp.

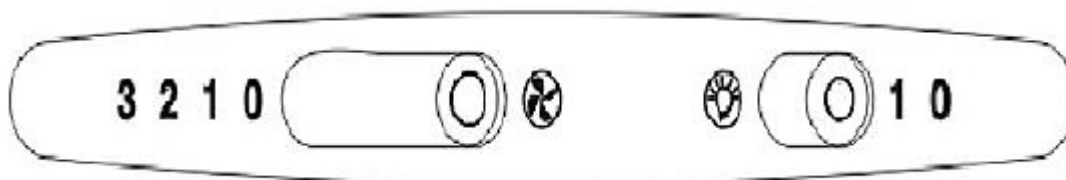
Verschuif de schakelaar om die te bedienen.

Werking van de motor

- 0- uit
- 1- Instelling laag vermogen
- 2- Instelling medium vermogen
- 3- Instelling hoog vermogen

Werking van de lamp

- 0- Uit
- 1- Aan



PROBLEMEN OPLOSSEN

Fout	Mogelijke oorzaak	Oplossing
Lamp aan, maar de motor werkt niet	Schakelaar van de ventilator staat uit	Selecteer een schakelstand voor de ventilator.
	Schakelaar van de ventilator werkt niet	Neem contact op met de onderhoudsdienst.
	Motor werkt niet	Neem contact op met de onderhoudsdienst.
Lamp werkt niet, motor werkt niet	Zekeringen van de woning doorgeslagen	Reset/vervang de zekeringen.
	Voedingssnoer los of ontkoppeld	Sluit het snoer opnieuw op de vermogenuitgang aan. Schakel de vermogenuitgang in.
Er lekt olie	Terugslagklep en uitgang zijn niet goed gedicht	Neem de terugslagklep weg en dicht met dichtmiddel.
	Lekken uit de aansluiting van de dampafvoerpijp en afdekking	Neem de dampafvoerpijp weg en dicht.
Lampen werken niet	Lampje gebroken/defect	Vervang de lampjes volgens de instructies.
Onvoldoende zuigkracht.	De afstand tussen de dampkap en het werkblad van het fornuis is te groot	Plaats de dampkap opnieuw op de juiste afstand.
De dampkap hangt scheef	De bevestigingsschroef is onvoldoende aangehaald	Haal de ophangschroef aan en breng de kap horizontaal.

OPMERKING:

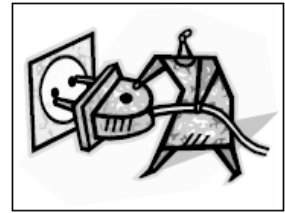


Elektrische reparaties van dit toestel moeten in overeenstemming zijn met de plaatselijke, nationale en federale wetten. Neem contact op met de onderhoudsdienst in geval van twijfel voordat u bovenstaande stappen uitvoert. Haal de stekker altijd uit het stopcontact wanneer u de groep opent.

ONDERHOUD EN REINIGING

Voorzichtig:

- Voordat u onderhoud of een reiniging uitvoert, moet de dampkap van het elektriciteitsnet worden losgekoppeld. Zorg ervoor dat de dampkap uit staat en dat de stekker uit het stopcontact is gehaald.
- Externe oppervlakken zijn gevoelig voor krassen en schuursporen. Volg de reinigingsinstructies correct op om de beste resultaten te verzekeren zonder dat er schade optreedt.



ALGEMEEN

De reiniging en het onderhoud dient men uit te voeren wanneer het apparaat koud is, vooral om te reinigen. Vermijd om alkalische of zure stoffen (citroensap, azijn, enz.) op de oppervlakken te laten.

ROESTVRIJ STAAL

Roestvrij staal moet regelmatig worden gereinigd (vb. elke week) om een lange levensduur te verzekeren. Droog af met een zuivere, zachte doek. U mag een speciale reinigingsvloeistof voor roestvrij staal gebruiken.

OPMERKING:

Zorg ervoor dat u mee in de polijstrichting van het roestvrij staal veegt, om te vermijden dat ontsierende, kruisgewijze kraspatronen verschijnen.

OPPERVLAK VAN HET BEDIENINGSPANEEL

Het ingebouwde bedieningspaneel kan met een warm zeepsopje worden schoongemaakt. Zorg ervoor dat de doek schoon is en goed uitgewrongen voordat u gaat schoonmaken. Gebruik een droge, zachte doek om overtollig vocht weg te nemen na het reinigen.

Belangrijk

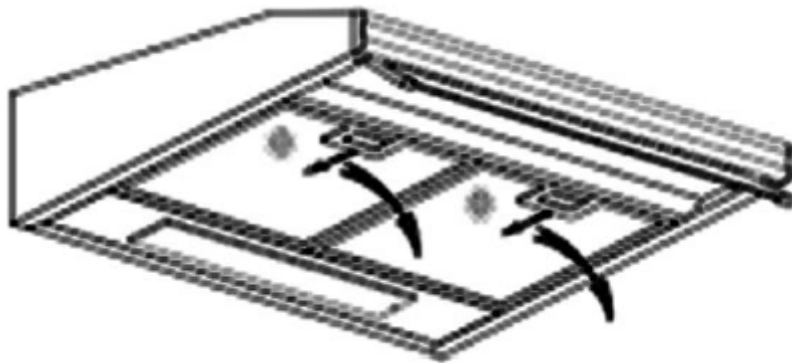
Gebruik neutrale schoonmaakproducten en vermijd om sterke chemische reinigingsmiddelen en sterke huishoudelijke schoonmaakproducten te gebruiken die schuurmiddelen bevatten, omdat die het uiterlijk van het apparaat aantasten en eventuele sieropdruk van het bedieningspaneel verwijderen. Bovendien vervalt hierdoor de garantie van de fabrikant.

VETFILTERS MET MAZEN

De filters kunnen handmatig worden gereinigd. Week ze ongeveer 3 minuten in water met een vetoplossend product en borstel ze dan voorzichtig af met een zachte borstel. Gelieve niet teveel druk uit te oefenen, vermijd om de filter te beschadigen. (Laat op natuurlijke wijze drogen, niet in rechtstreeks zonlicht)

De filters moeten gescheiden van vaatwerk en keukengerei worden gewassen. Het is aanbevolen om geen spoelmiddel te gebruiken.

- Verwijder de filters volgens de instructies in onderstaande afbeelding.
- Gebruik geen schurend schoonmaakmiddel omdat dit de dampkap zal beschadigen.



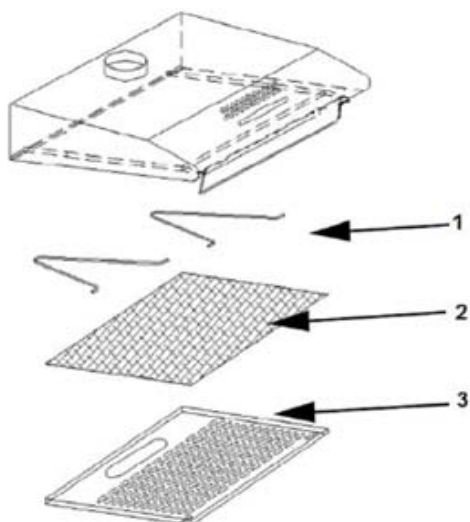
VETFILTERS MET MAZEN INSTALLEREN

- Volg de vier onderstaande stappen om de filters te installeren.
 - Haak de filter in de gleuven aan de achterkant van de dampkap.
 - Duw op de knop van de hendel van de filter.
 - Laat de hendel los zodra de filter in een rustpositie is.
 - Herhaal om alle filters te installeren.

KOOLSTOFFILTER

U kunt een geactiveerde koolstoffilter gebruiken om geuren op te vangen. Normaal moet de geactiveerde koolstoffilter elke drie tot zes maanden worden vervangen, in functie van uw kookgewoonten. De procedure om een geactiveerde koolstoffilter te installeren, staat hierna beschreven.

1. Verwijder de vetfilter.
2. Plaats de koolstoffilter op de vetfilter.
3. Zet de correct aangepaste koolstoffilter met de kleine staaldraad vast.
4. Installeer de vetfilter opnieuw.
5. Gebruik koolstoffilters alleen voor de recirculatiemodus.



1 Stalen hanger

2 Koolstoffilter

3 Vetfilter

OPMERKING:

- Controleer of de filter veilig vastzit. Anders kan die loskomen en gevaar veroorzaken.
- Wanneer een actieve koolstoffilter is bevestigd, neemt het zuigvermogen af.

LAMPJE VERVANGEN

<p>Belangrijk:</p> 	<ul style="list-style-type: none"> ✧ Het lampje moet door de fabrikant, diens onderhoudsagent of personen met gelijkaardige kwalificatie worden vervangen. ✧ Schakel de elektrische voeding altijd uit voordat u werkzaamheden op het apparaat uitvoert. Wanneer u het lampje vastneemt, moet u controleren of het volledig is afgekoeld voordat er rechtstreeks contact met uw handen is. ✧ Wanneer u lampjes vastneemt, moet u ze met een doek of met handschoenen vasthouden zodat er geen zweet met het lampje in contact kan komen. Dit kan immers de levensduur van het lampje verminderen.
---------------------------------------------------------------------------------------------------------------	------------------------------------------------------------------------------------------------------------------------------------------------------------------------------------------------------------------------------------------------------------------------------------------------------------------------------------------------------------------------------------------------------------------------------------------------------------------------------------------------------------------------------------------------------------------------------------------------------------------------------------

Het lampje vervangen:

*Voordat u lampjes gaat vervangen, moet u ervoor zorgen dat de stekker van het apparaat uit het stopcontact is gehaald.

*Gebruik de schroevendraaier om de zelftappende schroef ST4*8MM (2 stuks) van het verlichtingspaneel los te draaien; verwijder de fitting van de lamp. Open de eindklem die met de draad is verbonden, ontkoppel de draadconnector en vervang de lamp.

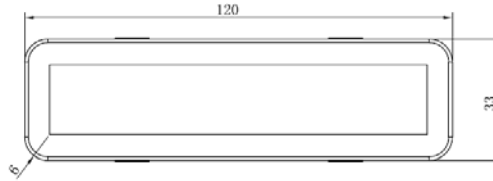
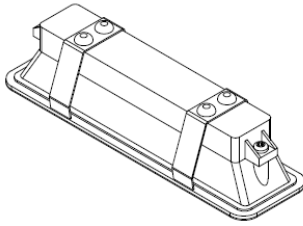
• De ILCOS D-code voor deze lamp is: **DBS-2.5/65-H-120/33**

– LED-modules – rechthoekige lamp


– Max wattage: 2,5 W

– Spanningsrange: AC 220-240V

– Afmetingen:



MILIEUBESCHERMING:

	<p>Dit product is gemarkeerd met het symbool voor selectieve inzameling van elektronisch afvalmateriaal. Dit betekent dat dit product niet samen met huishoudafval mag worden weggegooid, maar ondersteund moet zijn door een systeem voor selectieve inzameling, conform met de richtlijn 2012/19/EU. Op die manier wordt het gerecycleerd of ontmanteld, om de gevolgen voor het milieu tot een minimum te herleiden. Elektrische en elektronische producten zijn potentieel gevaarlijk voor het milieu en voor de gezondheid van de mensen wegens de aanwezigheid van gevaarlijke stoffen. Neem met uw plaatselijke of regionale overheden contact op voor meer informatie.</p>
-----------------------------------------------------------------------------------	------------------------------------------------------------------------------------------------------------------------------------------------------------------------------------------------------------------------------------------------------------------------------------------------------------------------------------------------------------------------------------------------------------------------------------------------------------------------------------------------------------------------------------------------------------------------------------------------------------------------------------------------------------------------------------

OPMERKING:

Hierna wordt aangetoond hoe men de totale milieu-impact van het kookfornuis kan beperken (vb. energieverbruik).

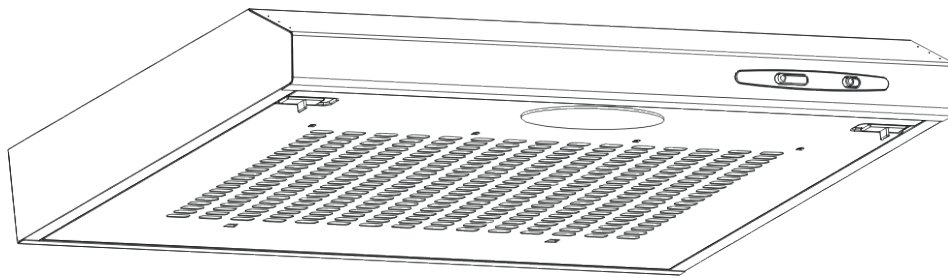
- (1) Installeer de dampkap op een geschikte plaats, waar er een efficiënte ventilatie is.
- (2) Reinig de dampkap regelmatig, zodat de luchtstroming niet geblokkeerd raakt.
- (3) Denk eraan dat u het lampje van de dampkap na het koken moet uitschakelen.
- (4) Denk eraan dat u de dampkap na het koken moet uitschakelen.

INFORMATIE VOOR HET ONTMANTELEN

Het apparaat niet ontmantelen op een manier die niet in de gebruikshandleiding beschreven staat. Het apparaat kan niet door de gebruiker worden ontmanteld. Op het einde van de levensduur mag het apparaat niet bij het huishoudafval worden gedumpt. Raadpleeg uw plaatselijke overheid of de verdeler voor recyclageadvies.

Avtrekkshette

Brukerhåndbok



Innhold

1	Sikkerhetsanvisninger
2	Installasjon
3	Start bruken av trekksviften
4	Feilsøking
5	Vedlikehold og rengjøring
6	Miljøvern

SIKKERHETSANVISNINGER

Denne håndboken forklarer riktig installasjon og bruk av avtrekkshetten; les den nøye før du bruker den selv om du er kjent med produktet. Håndboken bør oppbevares på et trygt sted for fremtidig referanse.

Noe du aldri skal gjøre:

- Ikke prøv å bruke avtrekkshetten uten fettfilter eller hvis filtrene er for fettede!
- Ikke installer over en komfyr med grill på høyt nivå.
- Ikke la stekepanner være uovervåket under bruk, fordi overoppheted fett eller oljer kan tenne fyr.
- Aldri forlat nakne flammer under avtrekksviften.



- Hvis avtrekksviften er skadet, skal du ikke prøve å bruke den.
- Ikke flambér under hetten.
- **FORSIKTIGHET:** Deler du kan komme til kan bli varme når de brukes sammen med kjøkkenutstyr.
- Den minste avstanden mellom støtteflaten for kokekarene på kokeplaten og den nederste delen av avtrekkshetten. (Når avtrekkshetten er plassert over et gassapparat, skal denne avstanden være minst 65 cm)
- Luften må ikke slippes ut i et røykrør som brukes til eksosdamp fra apparater som brenner gass eller andre drivstoffer.



Noe du alltid skal gjøre:

- Viktig! Slå alltid av strømforsyningen på strømmettet under installasjon og vedlikehold, som for eksempel ved lampeutskifting.
- Avtrekkshetten skal monteres i henhold til installasjonsinstruksjonene og alle medfølgende målinger.
- Alt installasjonsarbeid må utføres av en kompetent person eller kvalifisert elektriker
- Kasserer pakningsmaterialet forsiktig. Barn er sårbare for det.
- Vis oppmerksomhet til de skarpe kantene inne i avtrekkshetten, spesielt under installasjon og rengjøring.
- Når avtrekksviften er plassert over et gassapparat, må minimumsavstanden mellom støtteflaten for kokekarene på kokeplaten og laveste del av kokeapparatet være:

Gasskomfyrer	75 cm
Elektriske komfyrer:	65 cm
Kull- eller oljekomfyrer:	75 cm
- Sikre at rørledningen ikke har noen bøyer skarpere enn 90 grader, da dette vil redusere effektiviteten til kokeplaten.
- Advarsel: Hvis du ikke installerer skruene eller festeeheten i henhold til disse instruksjonene, kan det føre til elektriske farer

Noe du alltid skal gjøre:

- Alltid putt lokk på gryter og panner når du lager mat på en gasskomfyr.
- Når i uttrekksmodus, blir luft i rommet fjernet av avtrekkshetten. Sikre at det blir observert riktige ventilasjonstiltak. Avtrekkshetten fjerner lukt fra rommet, men ikke damp.
- Avtrekkshetten er kun til husholdningsbruk.



- Hvis strømledningen er skadet, må den byttes ut av produsenten, serviceagenten eller tilsvarende kvalifiserte personer for å unngå fare.
- Dette apparatet kan brukes av barn i alderen fra åtte år og eldre og personer med nedsatt fysisk, sensorisk eller mental evne eller med mangel på erfaring og kunnskap, forutsatt at de blir veiledet eller gitt instruksjoner om bruk av apparatet på en trygg måte, og de forstår de involverte farene. Barn skal ikke leke med apparatet. Rengjøring og vedlikehold skal ikke utføres av barn uten tilsyn.



- Advarsel: Før du får tilgang til terminalene, må alle forsyningskretsene kobles fra.

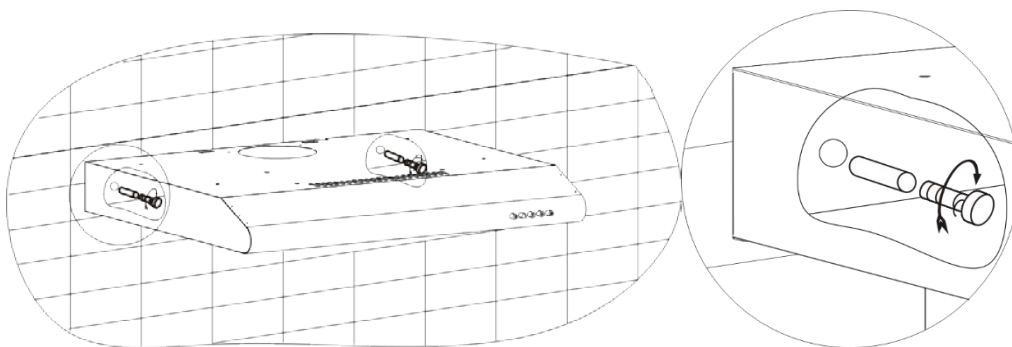
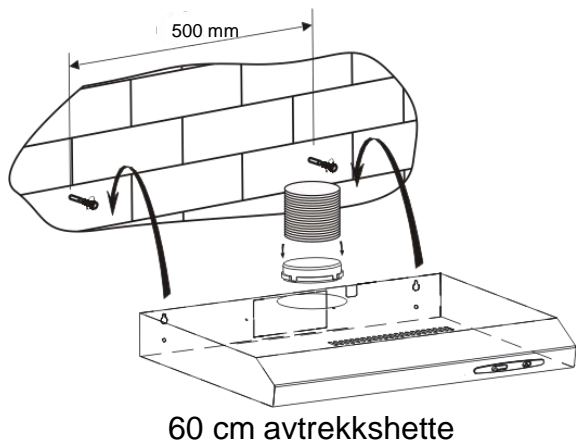
Noe du alltid skal gjøre:

- Forsiktighet: Apparatet og dets tilgjengelige deler kan bli varme under drift. Pass på å unngå å berøre varmeelementene. Barn under 8 år bør holde seg borte, med mindre de er under permanent tilsyn.
- Det skal være tilstrekkelig ventilasjon av rommet når hetten brukes samtidig som apparater som brenner gass eller andre drivstoff.
- Det er en brannrisiko hvis rengjøringen ikke utføres i samsvar med instruksjonene.
- Forskrifter om utslipp av luft må oppfylles.
- Rengjør apparatet regelmessig ved å følge metoden som er gitt i kapitlet VEDLIKEHOLD.
- Av sikkerhetsmessige grunner, bruk kun samme størrelse på festeskruen eller monteringskruen som anbefales i denne brukerhåndboken.
- Vedrørende detaljer om metode og hyppighet for rengjøring, se vedlikeholds- og rengjøringsavsnittet i brukerhåndboken.
- Rengjøring og vedlikehold skal ikke utføres av barn uten tilsyn.
- Når avtrekkshetten og apparatene som forsynes med energi, bortsett fra strøm, er samtidig i drift, må det negative trykket i rommet ikke overstige 4 Pa (4 x 10⁻⁵ bar).
- ADVARSEL: Brannfare: Ikke oppbevar gjenstander på kokeflatene.
- En damprenser skal ikke brukes.
- ALDRI prøv å slukke en brann med vann, men slå av apparatet og dekk deretter flammen, f.eks. med et lokk eller et brannteppe.

INSTALLASJON

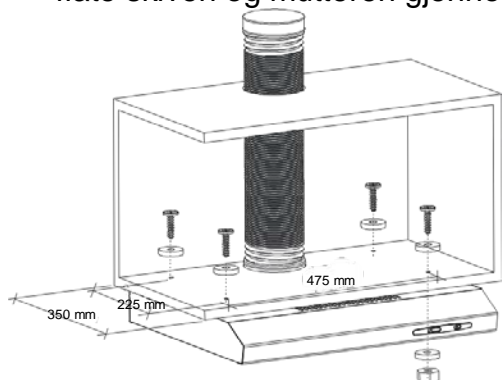
A. MONTERING (Veggmontering)

- (1) Bestem plasseringen av hullene for å feste avtrekkshetten.
- (2) Monter avtrekkshetten på veggen med 4 skruer (4 x 30 mm)



B. MONTERING (Kabinettmontering)

- (1) Monter avtrekkshetten på kabinettet med 4 skruer (4 x 35 mm), 4 muttere og flate skiver. Fest hetten på kabinettet ved å passere 4 skruer og 4 flate skiver fra toppen av kabinettet til avtrekksviften. Deretter inne i avtrekksviften, før den flate skiven og mutteren gjennom skruen for å holde apparatet på kabinettet.



Støy: Det finnes 2 metoder for ventilasjon, herunder "horisontal ventilasjon" og "vertikal ventilasjon". Vær oppmerksom på ventilasjonsmetoden ved installasjon.

Horisontal ventilasjon: Se bilde 4A, bruk dekselet for å tette uttaket på toppen, så luften kan ventileres ut fra baksiden.

Vertikal ventilasjon: Se bilde 4B, bruk dekselet for å tette uttaket på baksiden, så luften kan luftes ut fra toppen.

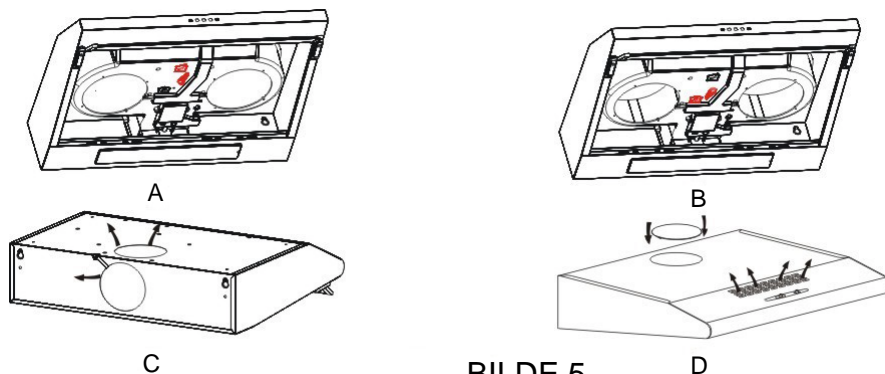


BILDE 4


Luftventilasjonsinnstilling

Utendørs luftventilasjon: Vri justeringsfunksjonen til utendørsposisjon (bilde.5A), installer stikkontakten, slå på hetten, og luften blir utluftet fra utløpet på utsiden.

Innendørs luftventilasjon: Vri justeringsfunksjonen til innendørs posisjon (bilde.5B), installer stikkontakten, slå på hetten, og luften kan luftes ut fra utløpet på innsiden.



BILDE 5

<p>ADVARSEL:</p> 	<ul style="list-style-type: none">➤ Av sikkerhetsmessige grunner, bruk kun samme størrelse på festeskruen eller monteringskruen som anbefales i denne brukerhåndboken.➤ Hvis du ikke installerer skruene eller festeenheten i henhold til disse instruksjonene, kan det føre til elektriske farer.
------------------------------------------------------------------------------------------------------	---------------------------------------------------------------------------------------------------------------------------------------------------------------------------------------------------------------------------------------------------------------------------------------------------------------------------

Start bruken av avtrekksviften

Vekselbryter

Det eksisterer tre hastigheter for motoren og på/av-bryteren for lampen.

Skyv bryteren for drift.

Motordrift

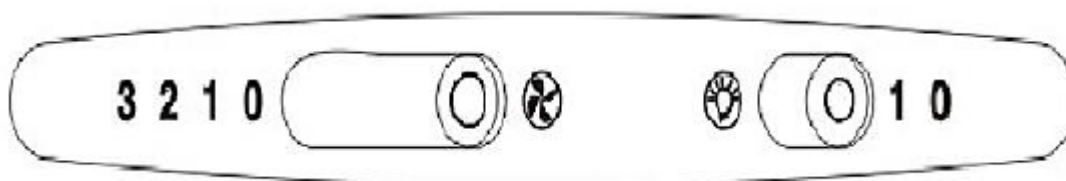
0-av

1-Lav strøm-innstilling

2-Midtre effekt-innstilling

3-Høy effekt-innstilling

Lysdrift
0-Av
1-På



FEILSØKING

Feil	Mulig årsak	Løsning
Lys på, men motoren virker ikke	Viftebryteren er slått av	Velg en viftebryterposisjon.
	Viftebryter sviktet	Kontakt servicesenter.
	Motor sviktet	Kontakt servicesenter.
Lyset virker ikke, motoren virker ikke	Hussikringer gått	Tilbakestill/bytt sikringer.
	Strømledningen er løs eller frakoblet	Koble ledningen på stikkontakten igjen. Slå av strømuttaket.
Oljelekkasje	Enveisventilen og utløpet er ikke tett lukket	Ta av enveisventilen og tett med tetningsmasse.
	Lekkasje fra tilkoblingen av skorsteinen og dekselet	Ta av skorsteinen og tett.
Lysene virker ikke	Ødelagte/feilfungerende glober	Erstatt globene i henhold til denne instruksjonen.
Utilstrekkelig suging	Avstanden mellom avtrekkshetten og gasstoppen er for lang	Monter avtrekkshetten ved riktig avstand.
Avtrekkshetten heller	Festeskruen er ikke tett nok	Stram hengeskruen og gjør den horisontal.

MERK:



Eventuelle elektriske reparasjoner på dette apparatet må overholde lokale, statlige og føderale lover. Kontakt serviceavdelingen hvis du er i tvil før du foretar noe av ovenstående. Slå alltid av enheten fra strømkilden når du åpner enheten.

VEDLIKEHOLD OG RENGJØRING

Forsiktighet:

- Før vedlikehold eller rengjøring, må kokeplaten kobles fra strømforsyningen. Kontroller at avtrekkshetten er slått av ved veggstøpselet og at pluggen er fjernet.
- Eksterne overflater er utsatt for riper og slitasje. Følg rengjøringsinstruksjonene for å sikre best mulig resultat uten skade.



GENERELT

Rengjøring og vedlikehold bør utføres med apparatet kaldt, spesielt ved rengjøring. Unngå å forlate alkaliske eller sure stoffer (sitronsaft, eddik etc.) på overflatene.

RUSTFRITT STÅL

Det rustfrie stålet må rengjøres regelmessig (for eksempel hver uke) for å sikre lang levetid. Rengjør med en ren, myk klut. En spesialisert rensesvæske i rustfritt stål kan brukes.

MERK:

Forsikre deg om at det tørkes i tråd med kornet på det rustfrie stålet for å forhindre at det vises noen stygge ripemønstre.

KONTROLLPANELETS OVERFLATE

Det innebygde kontrollpanelet kan rengjøres med varmt såpevann. Kontroller at kluten er ren og godt vridd før rengjøring. Bruk en tørr, myk klut for å fjerne overflødig fuktighet gjenværende etter rengjøring.

Viktig

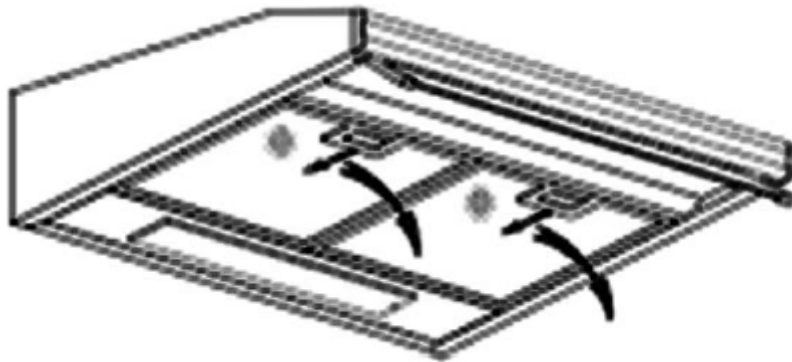
Bruk nøytrale vaskemidler og unngå å bruke tøffe rengjøringsmidler, sterke husholdningsvaskemidler eller produkter som inneholder slipemidler, da dette vil påvirke utseendet på apparatet og eventuelt fjerne noe trykket kunstverk på kontrollpanelet og ugyldiggjøre produsentgarantien.

FETT-NETTFILTRE

Filterene kan rengjøres for hånd. Bløtlegg dem i ca. 3 minutter i vann med et fettløsende vaskemiddel og puss forsiktig med en myk børste. Ikke bruk for mye trykk, unngå å skade dem. (La dem tørke naturlig borte fra direkte sollys)

Filtrene skal vaskes separat av servise og kjøkkenutstyr. Det anbefales at du ikke bruker skyllemiddel.

- Fjerne filtrene iht. instruksjonen i bildet nedenfor.
- Ikke bruk slipemiddel fordi det vil skade hetten.



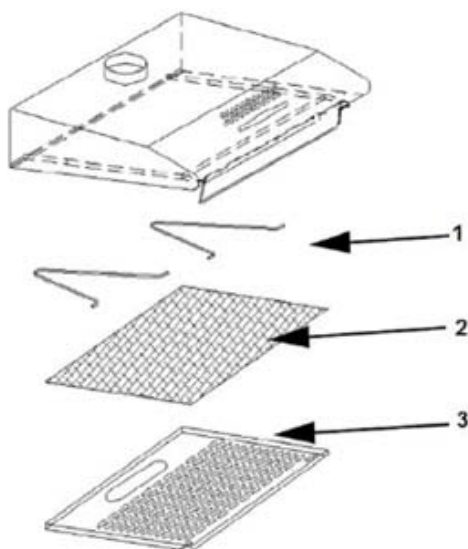
INSTALLASJON AV FETT-NETTFILTRE

- For å installere filtre for de følgende fire trinnene.
 - Vri filteret inn i sporet på baksiden av hetten.
 - Skyv knappen på håndtaket av filteret.
 - Løsne håndtaket når filteret er tilpasset inn i en hvilestilling.
 - Gjenta for installasjon av alle filtrene.

KARBONFILTER

Aktivert karbonfilter kan brukes til å fange dårlig lukt. Normalt bør det aktive karbonfilteret byttes etter tre eller seks måneder i henhold til matlagingsvanen din. Installasjonsprosedyren for aktivert karbonfilter er som nedenfor.

1. Fjern fettfilteret.
2. Plasser karbonfilteret på fettfilteret.
3. Fest det riktig justerte karbonfilteret med den lille ståltråden.
4. Monter fettfilteret på nytt.
5. Bruk bare karbonfiltre for resirkuleringsmodus.



1 Stålhenger


2 Karbonfilter

3 Fettfilter

MERK:

- Pass på at filteret er ordentlig låst. Ellers vil det løsne og forårsake fare.
- Ved aktivert karbonfilter festes, senkes sugekraften.

PÆREBYTTE

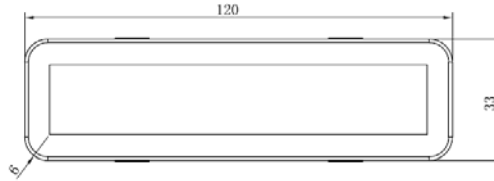
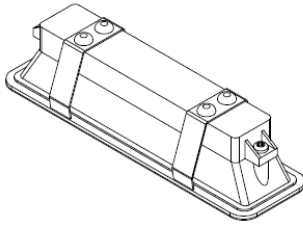
<p>Viktig:</p> 	<ul style="list-style-type: none"> ✧ Pæren må byttes ut av produsenten, serviceagenten eller tilsvarende kvalifiserte personer. ✧ Slå alltid av strømforsyningen før du utfører noen operasjoner på apparatet. Når du håndterer pæren, må du sørge for at den er helt avkjølt før den kommer i direkte kontakt med hånden. ✧ Ved håndtering av glober holder du med en klut eller hansker for å sikre at svette ikke kommer i kontakt med globen, da dette kan redusere levetiden til globen.
----------------------------------------------------------------------------------------------------	--------------------------------------------------------------------------------------------------------------------------------------------------------------------------------------------------------------------------------------------------------------------------------------------------------------------------------------------------------------------------------------------------------------------------------------------------------------------------------------------------------------------------------

Bytte lyset:

*Før du bytter lysene, må du kontrollere at apparatet er koblet fra.

*Bruk skrutrekkeren til å løsne ST4*8MM selvtappingsskruen (2 stk) fra belysningspanelet, ta ut lysarmaturet. Åpne terminalboksen som er koblet til ledningen, koble fra ledningen og bytt ut lampen.

- ILCOS D-kode for denne lampen er: DBS-2,5/65-H-120/33
- LED-moduler - rektangellampe
- Maks. effekt: 2,5 W
- Spenningsområde: AC 220-240 V
- Dimensjoner:



MILJØVERN:



Dette produktet er merket med symbolet for den selektive sorteringen av avfallsprodukter. Det betyr at dette produktet ikke må kastes sammen med husholdningsavfall, men må støttes av et system for selektiv innsamling i samsvar med direktiv 2012/19/EF. Den vil da bli resirkulert eller demontert for å minimere miljøpåvirkning; elektriske og elektroniske produkter er potensielt farlige for miljøet og menneskers helse på grunn av tilstedeværelsen av farlige stoffer. For mer informasjon, kontakt din lokale eller regionale myndighet.

MERK:

Følgende viser hvordan du reduserer total miljøpåvirkning (for eksempel energibruk) i matlagingsprosessen).

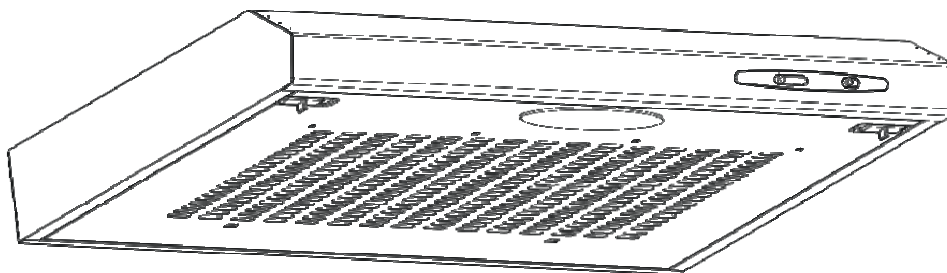
- (1) Monter avtrekkshetten på riktig sted der det er effektiv ventilasjon.
- (2) Rengjør avtrekkshetten regelmessig for å ikke blokkere luftveien.
- (3) Husk å slå av avtrekkshettelyset etter matlaging.
- (4) Husk å slå av avtrekkshetten etter matlaging.

DEMONTERINGSINFORMASJON

Ikke demonter apparatet på en måte som ikke er vist i brukerhåndboken. Apparatet kunne ikke demonteres av brukeren. Ved slutten av tjenestetiden skal apparatet ikke kastes sammen med husholdningsavfallet. Ta kontakt med den lokale myndigheten din eller innsamlingsstedet ditt for resirkuleringsråd.

Hotă pentru aragaz

Manual de instrucțiuni



Cuprins

1	Instrucțiuni de siguranță
2	Instalare
3	Începeți utilizarea hotei dvs. pentru aragaz
4	Depanare
5	Întreținere și curățare
6	Protecția mediului

INSTRUCȚIUNI DE SIGURANȚĂ

Acest manual explică modul corect de instalare și utilizare a hotei dvs. pentru aragaz, vă rugăm să îl citiți cu atenție înainte de utilizare, chiar dacă sunteți familiarizat cu produsul. Manualul trebuie păstrat la loc sigur pentru consultări viitoare.

Niciodată:

- Nu încercați să utilizați plita pentru aragaz fără filtrele de grăsime sau dacă filtrele sunt excesiv de pline de grăsime!
- Nu instalați deasupra unui aragaz cu un nivel înalt de frigere.
- Nu lăsați tigăile nesupravegheate în timpul utilizării, deoarece grăsimea sau uleiurile supraîncălzite pot lua foc.
- Nu lăsați flacăra deschisă sub plita pentru aragaz.



- Dacă plita pentru aragaz se deteriorează, nu încercați să o utilizați.
- Nu flambați sub plita pentru aragaz.
- **ATENȚIE:** Piesele accesibile se pot încălzi în timpul utilizării cu aparatele pentru gătit.
- Distanța minimă între suprafața de sprijin pentru vasele de gătit de pe plită și partea cea mai inferioară a plitei. (Atunci când hota pentru aragaz este situată deasupra unui dispozitiv cu gaz, această distanță va fi de cel puțin 65 cm)
- Aerul nu trebuie eliberat spre coșul utilizat pentru evacuarea gazelor provenite de la aparate care funcționează cu gaz sau alți combustibili.



Întotdeauna:

- **Important!** Opriți întotdeauna alimentarea cu curent de la priză în timpul instalării și întreținerii, cum ar fi înlocuirea unui bec.

- Plita pentru aragaz trebuie instalată în conformitate cu instrucțiunile de instalare și toate măsurătorile urmate.
- Toate lucrările de instalare trebuie efectuate de o persoană competentă sau un electrician calificat.
- Vă rugăm să eliminați cu atenție materialul de ambalat. Copiii sunt vulnerabili la acesta.
- Fiți atenți la marginile ascuțite din interiorul plitei pentru aragaz, în special în timpul instalării și curățării.
- Atunci când plita pentru aragaz este situată deasupra unui aparat care funcționează cu gaz, distanța minimă dintre suprafața de sprijin pentru vasele de gătit de pe plită și partea cea mai inferioară a hotei trebuie să fie:
Aragazuri cu gaz: 75 cm
Aragazuri electrice: 65 cm
Aragazuri cu cărbune sau ulei: 75 cm
- Asigurați-vă că tubulatura nu este îndoită în unghiuri mai ascuțite de 90 de grade, întrucât acest lucru va reduce eficiența hotei pentru aragaz.
- **Avertisment:** Nereușita de a instala șuruburile sau dispozitivul de fixare în conformitate cu aceste instrucțiuni poate duce la pericole de natură electrică

Întotdeauna:

- Puneți capacele deasupra oalelor și tigăilor atunci când gătiți pe un aragaz care funcționează cu gaz.
- În modul de extracție, aerul din cameră este eliminat prin plita pentru aragaz. Asigurați-vă că se implementează măsuri adecvate de aerisire. Hota pentru aragaz elimină mirosurile din cameră, dar nu și aburul.
- Hota pentru aragaz este strict de uz casnic.



- Dacă cablul de alimentare este deteriorat, acesta trebuie înlocuit de către producător, agentul său de service sau persoane cu calificări similare pentru a evita pericolele.
- Acest aparat poate fi utilizat de către copiii cu vârste de minim 8 ani și de către persoanele cu capacități fizice, senzoriale sau mentale reduse sau cu lipsă de experiență sau cunoștințe cu condiția să fie supravegheate sau instruite corespunzător privind modul de utilizare a acestui aparat în mod sigur și să înțeleagă pericolele implicate. Copiii nu se vor juca cu aparatul. Curățarea și întreținerea de către utilizator nu vor fi efectuate de copii fără supraveghere.



- Avertisment: Înainte de a obține accesul la terminale, trebuie deconectate toate circuitele de alimentare.

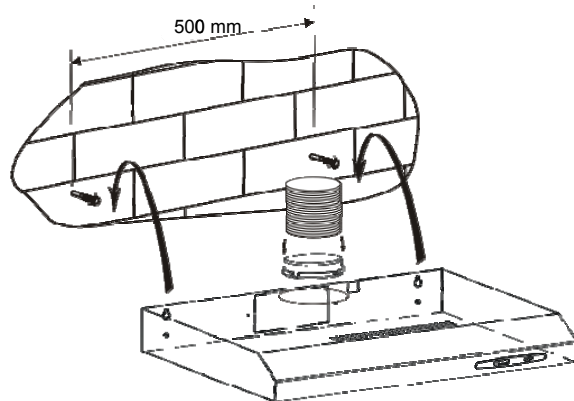
Întotdeauna:

- Atenție: Aparatul și piesele sale accesibile se pot înfierbânta în timpul funcționării. Fiți atenție să evitați atingerea elementelor care se încălzesc. Copiii cu vârste mai mici de 8 ani trebuie să se ferească, cu condiția să fie sub supraveghere permanentă.
- Trebuie să existe aerisirea adecvată a camerei atunci când se utilizează hota pentru aragaz în același timp cu aparatele care ard gaz sau alți combustibili.
- Există riscul de incendiu dacă curățarea nu este efectuată în conformitate cu instrucțiunile
- Regulamentele privind eliminarea aerului trebuie satisfăcute.
- Curățați aparatul periodic urmând metoda descrisă în capitolul ÎNTREȚINERE.
- Din motive de siguranță, vă rugăm să utilizați șuruburi de fixare sau instalare de aceeași dimensiune, care sunt recomandate în acest manual de instrucțiuni.
- În ceea ce privește detaliile despre metoda și frecvența curățării, vă rugăm să consultați secțiunea de întreținere și curățare a acestui manual de instrucțiuni.
- Curățarea și întreținerea de către utilizator nu vor fi efectuate de copii fără supraveghere.
- Atunci când hota pentru aragaz și aparatele alimentate cu energie diferită de curent funcționează simultan, presiunea negativă a camerei nu trebuie să depășească 4 Pa (4×10^{-5} bari).
- AVERTISMENT: Pericol de incendiu: nu depozitați articolele pe suprafețele de gătit.
- Nu trebuie utilizat un dispozitiv de curățat cu aburi.
- Nu încercați NICIODATĂ să stingeți un incendiu cu apă, ci opriți aparatul și apoi acoperiți flacăra, de ex., cu un capac sau o pătură ignifugă.

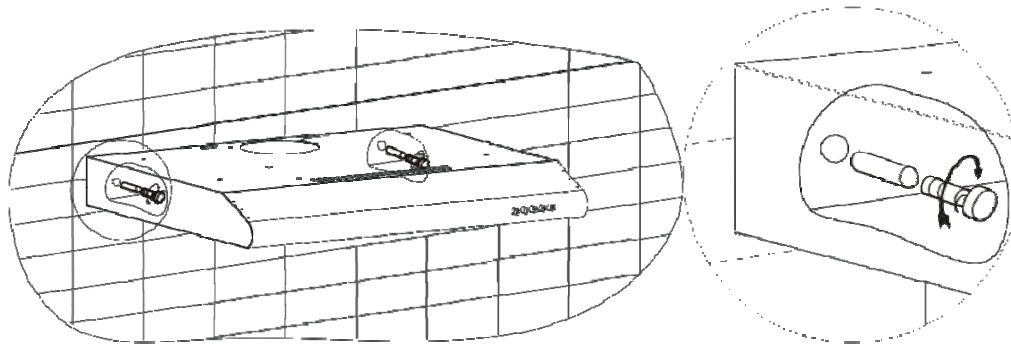
INSTALARE

A. INSTALARE (Montare pe perete)

- (1) Decideți locația orificiilor pentru fixarea hotei pentru aragaz.
- (2) Montați hota pentru aragaz pe perete cu 4 șuruburi (4x30mm)

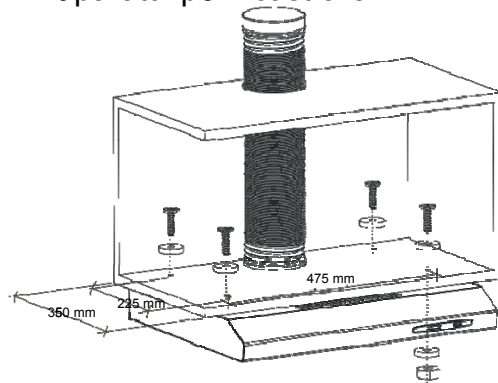


Hotă pentru aragaz 60cm



B. INSTALARE (Montare încastrată)

- (1) Montați hota pentru aragaz în încastrare cu 4 șuruburi (4x35mm), 4 piulițe și șaibe plate. Fixați hota pe încastrare prin trecerea celor 4 șuruburi și 4 șaibe plate prin partea de sus a acesteia spre hota pentru aragaz. Apoi, în interiorul hotei pentru aragaz, treceți șaiba plată și piulița prin șurub pentru a susține aparatul pe încastrare.



Hotă pentru aragaz 60cm

Notă: Există 2 metode de aerisire, inclusiv „aerisire pe orizontală” și „aerisire pe verticală”. Fiți atenți la metoda de aerisire atunci când instalați.

Aerisirea pe orizontală: Consultați imaginea 4A, utilizați capacul pentru a etanșa evacuarea din partea de sus, apoi aerul poate fi eliminat prin partea din spate.

Aerisirea pe verticală: Consultați imaginea 4B, utilizați capacul pentru a etanșa evacuarea din spate, apoi aerul poate fi eliminat prin partea de sus.

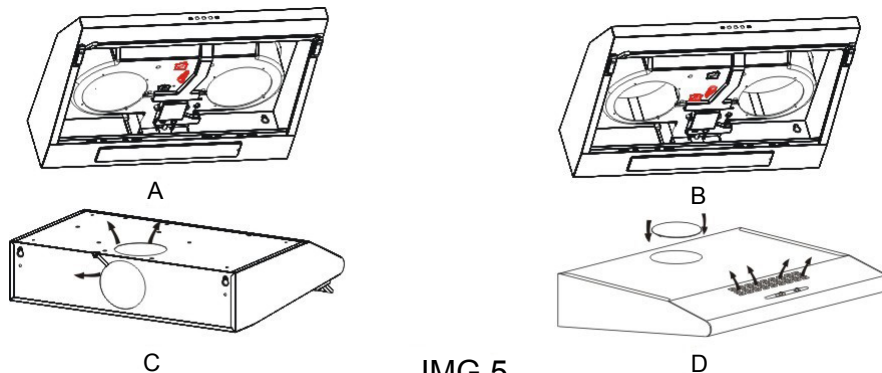


IMG 4

Configurarea aerisirii

Aerisirea în exterior: Rotiți dispozitivul de reglare pe poziția spre exterior (img.5A), instalați evacuarea, porniți hota pentru aragaz, apoi aerul va fi ventilat spre evacuarea de exterior.

Aerisirea în interior: Rotiți dispozitivul de reglare pe poziția spre interior (img.5B), instalați capacul evacuării, porniți hota pentru aragaz, apoi aerul poate fi ventilat spre evacuarea de interior.



IMG 5

AVERTISMENT:



- Din motive de siguranță, vă rugăm să utilizați șuruburi de fixare sau instalare de aceeași dimensiune, care sunt recomandate în acest manual de instrucțiuni.
- Nereușita de a instala șuruburile sau dispozitivul de fixare în conformitate cu aceste instrucțiuni poate duce la pericole de natură electrică.

Începeți utilizarea hotei dvs. pentru aragaz

Comutatorul

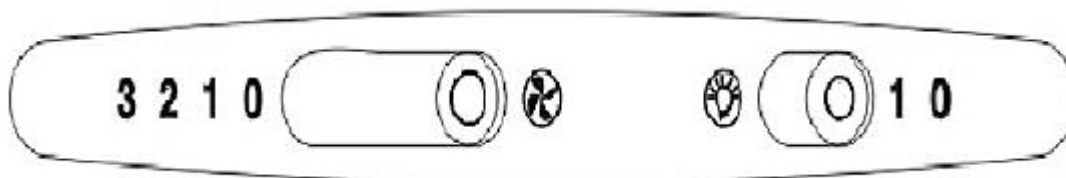
Motorul are 3 viteze și comutator de pornire/oprire pentru bec. Glisați comutatorul pentru punerea în funcțiune.

Funcționarea motorului

- 0- oprire
- 1- Setare de energie scăzută
- 2- Setare de energie medie
- 3- Setare de energie crescută

Funcționarea becului

- 0- Oprit
- 1- Pornit



DEPANARE

Eroare	Cauză posibilă	Soluție
Lumina se aprinde, dar motorul nu funcționează	Comutatorul ventilatorului este oprit	Selectați o poziție a comutatorului ventilatorului.
	Comutatorul ventilatorului nu pornește	Contactați centrul de service.
	Motorul nu funcționează	Contactați centrul de service.
Lumina nu funcționează, motorul nu funcționează	Siguranțele casei au sărit	Resetați/Înlocuiți siguranțele.
	Cablul de alimentare e slăbit sau deconectat	Repoziționați cablul la priză. Porniți alimentarea.
Scurgere de ulei	O supapă unidirecțională și evacuarea nu sunt strânse	Scoateți supapa unidirecțională și sigilați cu agent de etanșare.
	Scurgere din conexiunea cu coșul și capacul	Demontați coșul și etanșați.
Luminile nu funcționează	Becuri defecte/sparte	Înlocuiți becurile conform acestei instrucțiuni.
Aspirație insuficientă	Distanța dintre hota pentru aragaz și partea superioară a aragazului este prea mare	Repoziționați hota pentru aragaz pentru a corecta distanța.
Hota pentru aragaz se înclină	Șurubul de fixare nu este suficient de strâns	Strângeți șurubul de agățare și puneți-l pe poziție orizontală.

NOTĂ:



Orice reparații electrice aduse acestui aparat trebuie să fie conforme legislației dvs. locale, de stat și federale. Vă rugăm să contactați centrul de service dacă aveți îndoieli înainte de a întreprinde oricare dintre cele de mai sus. Deconectați întotdeauna unitatea de la sursa de alimentare când deschideți unitatea.

Întreținere și curățare

Atenție:

- Înainte de efectuarea lucrărilor de întreținere sau curățare, hota pentru aragaz trebuie deconectată de la alimentarea cu curent. Asigurați-vă că hota pentru aragaz este oprită de la priza de pe perete și că ștecărul este scos.
- Suprafețele externe sunt susceptibile la zgârieturi și abraziuni, astfel că vă rugăm să urmați instrucțiunile de curățare pentru a vă asigura că se ating cele mai bune rezultate posibile fără deteriorări.



INFORMAȚII GENERALE

Curățarea și întreținerea trebuie efectuate cu aparatul rece, în special curățarea. Evitați să lăsați substanțele alcaline sau acide (suc de lămâie, oțet etc.) pe suprafețe.

INOX

Inoxul trebuie curățat periodic (de ex., săptămânal) pentru a garanta o lungă durată de viață. Uscați cu o lavetă curată moale. Trebuie utilizat un lichid de curățare special pentru inox.

NOTĂ:

Asigurați-vă că ștergerea se face de-a lungul granulației inoxului pentru a preveni apariția oricăror tipare de zgâriere încrucișată neprezentabile.

SUPRAFAȚA PANOULUI DE CONTROL

Panoul de control încorporat poate fi curățat utilizând apă caldă cu săpun. Asigurați-vă că laveta este curată și bine stoarsă înainte de curățare. Utilizați o lavetă moale pentru a elimina orice exces de umezeală lăsat după curățare.

Important

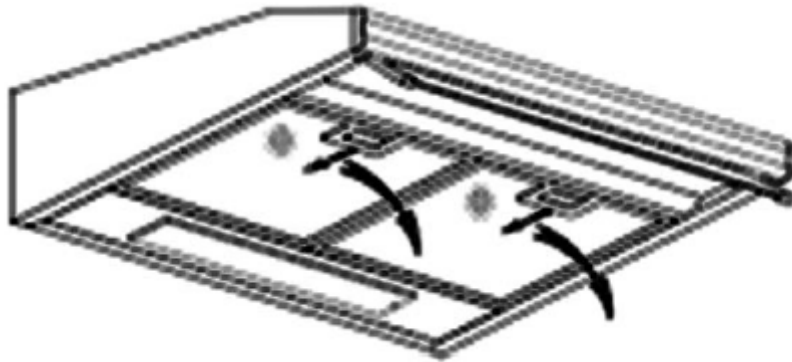
Utilizați detergenți neutri și evitați utilizarea substanțelor chimice de curățare dure, a detergenților domestici puternici sau a produselor care conțin abrazivi, întrucât acest lucru va afecta aspectul aparatului și potențial elimină orice lucrare decorativă imprimată de pe panoul de control și va anula garanția producătorului.

FILTRELE PLASĂ DE GRĂSIMI

Filtrele se pot curăța manual. Înmuiați-le timp de aproximativ 3 minute în apă cu un detergent de curățare a grăsimii apoi periați-le ușor cu o perie moale. Nu aplicați prea multă presiune, evitați să le deteriorați. (Lăsați-le la uscat direct la lumina soarelui)

Filtrele trebuie spălate separat de tacâmuri și ustensile de bucătărie. Se recomandă să nu utilizați un mijloc de clătire.

- Scoaterea filtrelor conform instrucțiunilor în imaginea de mai jos.
- Vă rugăm să nu utilizați detergenți abrazivi pentru că veți deteriora carcasa.



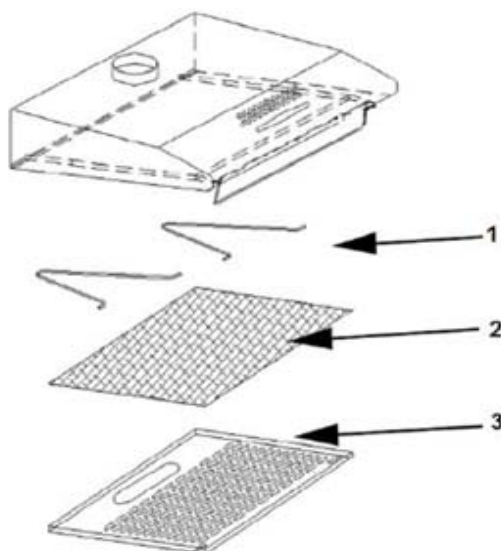
INSTALARE FILTRELOR PLASĂ DE GRĂSIMI

- Pentru a instala filtrele pentru următorii patru pași.
 - Înclinați filtrul în unghi în fantele din spatele hotei.
 - Apăsăți butonul de pe mânerul filtrului.
 - Eliberați mânerul după ce filtrul este fixat pe poziția statică.
 - Repetați pentru a instala toate filtrele.

FILTRU CU CARBON

Filtrul cu carbon activ poate fi utilizat pentru a capta mirosurile. Filtrul cu carbon activat normal trebuie schimbat la trei sau șase luni conform uzanței dvs. de gătit. Procedura de instalare a filtrului cu carbon active este descrisă mai jos.

1. Scoateți filtrul pentru grăsime.
2. Puneți filtrul carbon pe filtrul pentru grăsime.
3. Fixați filtrul cu carbon ajustat corect cu firul din oțel mic.
4. Reinstalați filtrul pentru grăsime.
5. Utilizați filtrele cu carbon numai pentru modul de recirculare.



1 Suport din oțel


2 Filtru cu carbon

3 Filtru pentru grăsime

NOTĂ:

- Asigurați-vă că filtrul este fixat. În caz contrar, acesta se va slăbi și va provoca pericole.
- La activarea filtrului cu carbon atașat, puterea de aspirație va fi scăzută.

ÎNLOCUIREA BECULUI

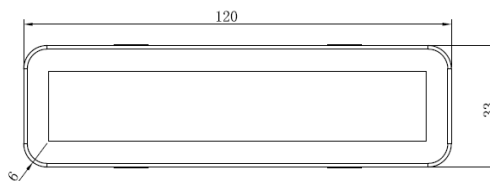
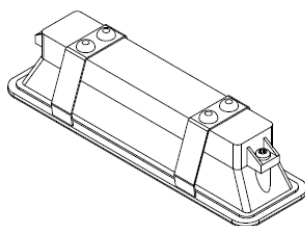
<p>Important:</p> 	<ul style="list-style-type: none"> ✧ Becul trebuie înlocuit de producător, agentul său de service sau persoane calificate similar. ✧ Opriți întotdeauna alimentarea cu curent înainte de a efectua orice operație asupra aparatului. La manipularea becului, asigurați-vă că este complet rece înainte de orice contact direct cu mâinile. ✧ La manipularea becurilor, țineți cu o cârpă sau mănuși pentru a garanta că transpirația nu intră în contact cu becul, deoarece acest lucru poate reduce durata de viață a becului.
-------------------------------------------------------------------------------------------------------	------------------------------------------------------------------------------------------------------------------------------------------------------------------------------------------------------------------------------------------------------------------------------------------------------------------------------------------------------------------------------------------------------------------------------------------------------------------------------------------------------------------------------------------------------------------

Schimbarea luminii:


*Înainte de a schimba luminile, asigurați-vă că aparatul este deconectat.

*Utilizați șurubelnița pentru a slăbi șurubul autofiletant ST4*8MM (2 buc.) din panoul de control, scoateți montura luminilor. Deschideți caseta terminală conectată cu cablul, deconectați conectorul cablului și înlocuiți becul.

- **Codul ILCOS D pentru acest bec este: DBS-2.5/65-H-120/33**
- Modulele LED –bec rectangular
- Tensiune maximă: 2,5 W
- Interval de tensiune: c.a. 220-240V
- Dimensiuni:



PROTECTIA AMBIENTALĂ:

	<p>Acest produs este marcat cu simbolul privind sortarea selectivă a deșeurilor de echipamente electronice. Aceasta înseamnă că acest produs nu trebuie eliminat împreună cu reziduurile menajere, dar trebuie să fie susținut de un sistem de colectare selectivă în conformitate cu Directiva 2012/19/UE. Atunci va fi reciclat sau demontat pentru a reduce impacturile asupra mediului, produsele electrice și electronice sunt potențial periculoase pentru mediu și sănătatea omului datorită prezenței substanțelor periculoase. Pentru mai multe informații, vă rugăm să contactați autoritățile dvs. locale sau regionale.</p>
-----------------------------------------------------------------------------------	-----------------------------------------------------------------------------------------------------------------------------------------------------------------------------------------------------------------------------------------------------------------------------------------------------------------------------------------------------------------------------------------------------------------------------------------------------------------------------------------------------------------------------------------------------------------------------------------------------------------------------------------

NOTĂ:

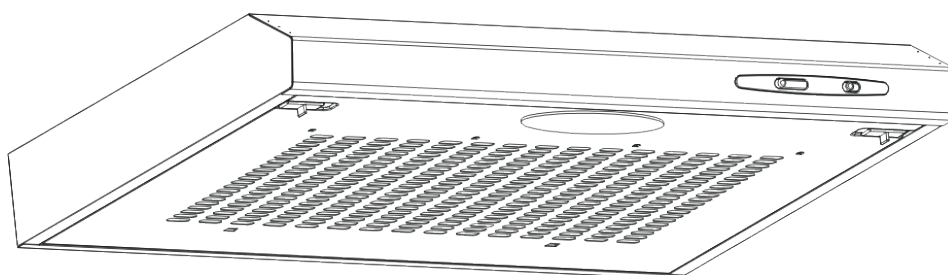
Următoarele indică modul în care reduce impactul total asupra mediului (de ex., consumul de energie) al procesului de gătit.

- (1) Instalați hota pentru aragaz într-un loc unde există o aerisire eficientă.
- (2) Curățați hota pentru aragaz periodic, astfel încât să nu blocați aerisirea.
- (3) Nu uitați să opriți lumina hotei pentru aragaz după gătire.
- (4) Nu uitați să opriți hota pentru aragaz după gătire.

INFORMAȚII PENTRU DEMONTARE

Nu demontați aparatul într-un mod care nu este ilustrat în manual. Aparatul nu poate fi demontat de utilizator. La sfârșitul duratei de viață, aparatul nu trebuie eliminat împreună cu reziduurile menajere. Verificați cu Autoritatea locală sau distribuitorul pentru informații de reciclare.

К у х о н н а я В ы т я ж к а
И н с т р у к ц и я П о л ь з о
В а т е л я



О г л а в л е н и е

1	И н с т р у к ц и я п о т е х н и к е б е з о п а с н о с т и
2	У с т а н о в к а
3	П р и с т у п а я к и с п о л ь з о в а н и ю в ы т я ж к и
4	П о и с к и у с т р а н е н и е н е и с п р а в н о с т е й
5	Ч и с т к а и т е х н и ч е с к о е о б с л у ж и в а н и е
6	З а щ и т а о к р у ж а ю щ е й с р е д ы

ИНСТРУКЦИЯ ПО ТЕХНИКЕ БЕЗОПАСНОСТИ

Данное руководство содержит описания надлежащих установки и эксплуатации кухонной вытяжки. Прочтите его внимательно, прежде чем начинать пользоваться изделием, даже если уже знакомы с ним. Руководство должно храниться в безопасном месте для обращения к нему по мере надобности.

Никогда не следует:

- Использовать вытяжку без жирулавливающих фильтров или с забитыми фильтрами!
- Устанавливать вытяжку над решеткой гриля с высокими языками пламени.
- Оставлять сковородки на огне без присмотра, поскольку перегретый жир или масло может воспламениться.
- Оставлять под вытяжкой открытое пламя.



- Попытаться использовать поврежденную вытяжку.
- Готовить под вытяжкой фламбе.
- **ВНИМАНИЕ!** Доступные части могут нагреваться от кухонных приспособлений.
- Минимальное расстояние между варочной поверхностью, на которую ставится кухонная посуда, и самой низкой частью вытяжки. (Если вытяжка устанавливается над газовой плитой, это расстояние должно быть не менее 65 см)
- Нельзя выпускать воздух в воздуховод, используемый для вытяжки продуктов сгорания газа или иного топлива.



Всегда необходимо:

- **Важно!** Отключать электропитание при установке и техническом обслуживании, в том числе при замене электроламп.
- Необходимо устанавливать вытяжку с соблюдением требований инструкции по установке и с выполнением всех последующих измерений.
- Все работы по установке должны выполняться компетентным лицом или квалифицированным электриком.
- Надлежащим образом утилизируйте упаковочный материал. Он может нанести вред детям.
- Остерегайтесь острых краев внутри вытяжки, особенно во время установки и чистки.
- Если вытяжка устанавливается над газовой плитой, минимальное расстояние между варочной поверхностью, на которую ставится кухонная посуда, и самой низкой частью вытяжки должно составлять:
Для газовых плит: 75 см
Для электроплит: 65 см
Угольные плиты или керосинки: 75 см
- Газоотводные каналы не должны иметь изгибов круче 90 градусов, чтобы не снижать эффективность вытяжки.
- Предупреждение. Пренебрежение фиксацией устройства винтами или иным крепежным приспособлением в соответствии с данными инструкциями может привести к поражению электрическим током

Всегда необходимо:

- Накрывать крышками кастрюли и сковороды в случае использования газовой плиты.
- В режиме вытяжки, воздух извлекается из помещения вытяжкой. Обязательно соблюдайте надлежащие меры вентиляции. Вытяжка извлекает из помещения запахи, но не пар.
- Вытяжка предназначена только для бытового использования.



- При повреждении кабеля питания во избежание возможной опасности его замену должны осуществлять производитель, его сервисный представитель или лица с подобной квалификацией.
- Данное устройство может использоваться детьми в возрасте 8 лет и старше, а также лицами с ограниченными физическими, сенсорными и умственными способностями, недостаточными опытом и знаниями, при условии, что они находятся под надлежащим надзором, или проинструктированы о порядке безопасного пользования устройством и осознают связанные с этим опасности. Не разрешайте детям играть с устройством. Детям запрещается выполнять чистку и пользовательское обслуживание электроприбора без присмотра.



- Предупреждение. Доступ к клеммам разрешается только после отключения всех цепей питания.

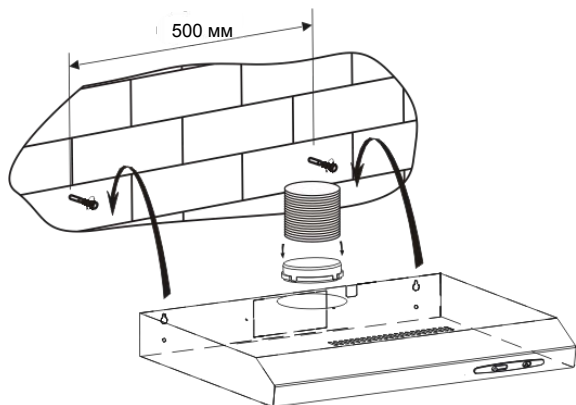
Всегда необходимо:

- Внимание! Устройство и его доступные части во время работы могут нагреваться. Будьте осторожны, не касайтесь горячих частей. Дети в возрасте до 8 лет могут обращаться с устройством только под непрерывным наблюдением взрослых.
- Во время работы вытяжки при горящих газовых горелках или ином пламени, в помещении должна быть обеспечена надлежащая вентиляция.
- Пренебрежение чисткой в соответствии с инструкцией чревато возникновением пожара
- Необходимо соблюдать нормативы относительно выпуска воздуха.
- Регулярно чистите устройство, следуя инструкции, изложенной в главе ТЕХНИЧЕСКОЕ ОБСЛУЖИВАНИЕ.
- В целях безопасности, используйте только крепежные или монтажные винты того размера, какой рекомендован данным руководством.
- О способе и периодичности чистки см. в разделе данного руководства, посвященном техническому обслуживанию и чистке.
- Детям запрещается выполнять чистку и пользовательское обслуживание электроприбора без присмотра.
- При вытяжке и устройствах, работающих на энергии, отличной от электричества, включенных одновременно, отрицательное давление в помещении не должно превышать 4 Па (4 x 10⁻⁵ бар).
- ПРЕДУПРЕЖДЕНИЕ. Опасность возгорания: не храните чего бы то ни было на варочных поверхностях.
- Не используйте пароочиститель.
- НИ В КОЕМ СЛУЧАЕ не пытайтесь гасить огонь водой. Отключите устройство, затем накройте огонь, например, крышкой или пожарным покрывалом.

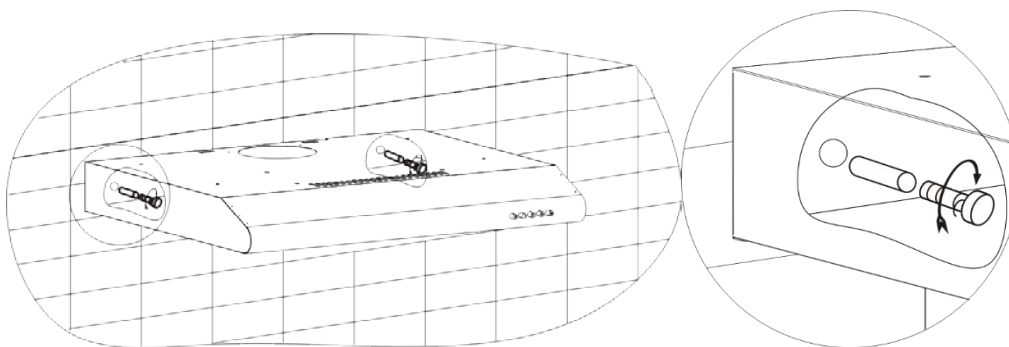
УСТАНОВКА

А. УСТАНОВКА (настенная)

- (1) Выберите место для отверстий под крепежные винты для вытяжки.
- (2) Укрепите вытяжку на стене 4 винтами (4 x 30 мм)

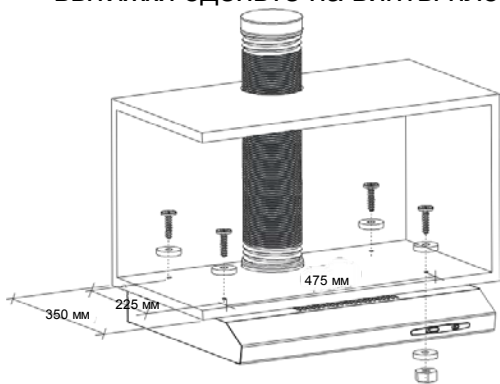


60-сантиметровая вытяжка



В. УСТАНОВКА (на стеллаже)

- (1) Для монтажа вытяжки на стеллаже используйте 4 винта (4 x 35 мм) с 4 гайками и плоскими шайбами. Чтобы закрепить вытяжку на стеллаже, проденьте 4 винта с четырьмя плоскими шайбами сверху стеллажа в вытяжку. Внутри вытяжки оденьте на винты плоские шайбы и завинтите гайки.



60-сантиметровая вытяжка

Примечание. Возможны 2 метода вентиляции – горизонтальный и вертикальный. При установке принимайте во внимание метод вентиляции.

Горизонтальная вентиляция: См. рис. 4А. Закройте верхнее отверстие крышкой, чтобы воздух выходил сзади.

Вертикальная вентиляция: См. рис. 4В. Закройте отверстие сзади крышкой, чтобы воздух выходил сверху.



Рис. 4.

Установка типа выпуска воздуха

Выпуск воздуха наружу: Поверните регулятор в положение выпуска воздуха наружу (рис. 5А), установите воздухоотвод, включите вытяжку, и воздух будет выходить наружу за пределы помещения.

Выпуск воздуха внутрь помещения: Поверните регулятор в положение выпуска воздуха внутрь помещения (рис. 5В), установите крышку на воздуховыпускное отверстие, включите вытяжку, и воздух будет выходить внутрь помещения.

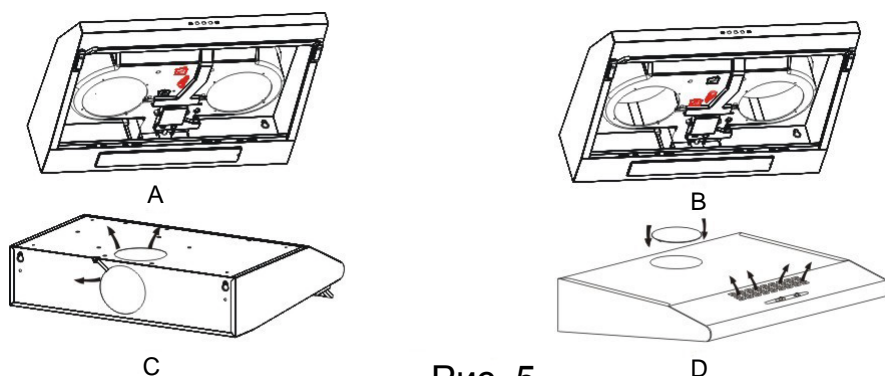



Рис. 5.

<p>ПРЕДУПРЕЖДЕНИЕ Е.</p> 	<ul style="list-style-type: none">➤ В целях безопасности, используйте только крепежные или монтажные винты того размера, какой рекомендован данным руководством.➤ Пренебрежение фиксацией устройства винтами или иным крепежным приспособлением в соответствии с данными инструкциями может привести к поражению электрическим током
-------------------------------------------------------------------------------------------------------------------------	-------------------------------------------------------------------------------------------------------------------------------------------------------------------------------------------------------------------------------------------------------------------------------------------------------------------------------------------------------------

П р и с т у п а я к и с п о л ь з о в а н и ю в ы т я ж к и

Ползунковый переключатель

Переключатель на 3 скорости двигателя и выключатель лампы.

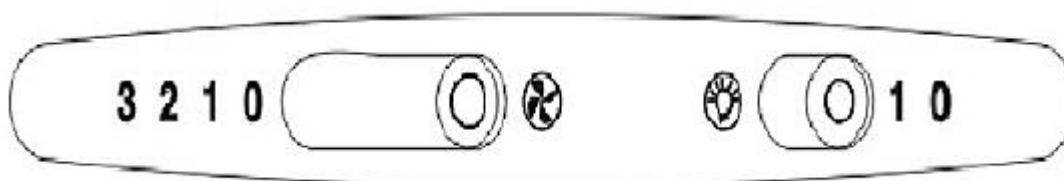
Положения переключения.

Режимы работы двигателя

- 0- Выкл.
- 1- Низкая мощность
- 2- Средняя мощность
- 3- Высокая мощность

Подсветка

- 0- Выкл.
- 1- Вкл.



ПОИСК И УСТРАНЕНИЕ НЕИСПРАВНОСТЕЙ

Неисправность	Возможная причина	Устранение
Подсветка включена, но двигатель не работает.	Выключен вентилятор	Установите переключатель вентилятора в надлежащее положение.
	Неисправен переключатель вентилятора	Обратитесь в сервисный центр.
	Неисправность двигателя	Обратитесь в сервисный центр.
Не работает подсветка, не работает двигатель	Перегорели предохранители в помещении	Сбросьте/замените предохранители.
	Неплотно подключен либо отключен шнур питания	Подключите шнур питания к сетевой розетке. Включите подачу питания.
Утечка масла	Обратный клапан и выпускное отверстие недостаточно уплотнены	Снимите обратный клапан и уплотните надлежащим образом.
	Утечка в соединении вытяжной трубы и крышки	Снимите вытяжную трубу и уплотните.
Не включается подсветка	Неисправны лампы	Замените лампы, следуя данной инструкции.
Недостаточное всасывание	Слишком велико расстояние между вытяжкой и поверхностью газовой плиты	Отрегулируйте высоту установки вытяжки.
Вытяжка наклонена	Недостаточно затянут крепежный винт	Установите вытяжку в горизонтальное положение, затянув крепежный винт.

ПРИМЕЧАНИЕ.



=Ремонт любой электрической составляющей данного устройства должен соответствовать требованиям местных, государственных и федеральных законов. В случае любых сомнений в отношении вышеизложенного, обращайтесь в сервисный центр. Перед любым вскрытием устройства отключайте его от источника питания.

ЧИСТКА И ТЕХНИЧЕСКОЕ ОБСЛУЖИВАНИЕ

Внимание!

- Перед проведением любых операций обслуживания и чистки отсоединяйте вытяжку от сети питания. Убедитесь в том, что вытяжка отключена выключателем на стенной розетке, и вилка вынута из розетки.



- Наружные поверхности подвержены образованию царапин и задиrow, поэтому необходимо соблюдать инструкции по чистке для достижения наилучшего результата без повреждений.

ОБЩИЕ ТРЕБОВАНИЯ

Техническое обслуживание и, особенно, чистку необходимо проводить при остывшем устройстве. Не оставляйте поверхности смоченными щелочными или кислыми веществами (лимонным соком, уксусом и т.п.).

НЕРЖАВЕЮЩАЯ СТАЛЬ

Нержавеющую сталь необходимо чистить регулярно (например, еженедельно), чтобы обеспечить длительный срок эксплуатации. Протирать чистой, мягкой тканью. Можно использовать специальное чистящее средство для нержавеющей стали.

ПРИМЕЧАНИЕ.

Протирайте нержавеющую сталь вдоль структурных линий, чтобы избежать поперечных царапин.

ПОВЕРХНОСТЬ ПАНЕЛИ УПРАВЛЕНИЯ

Панель управления можно чистить тканью, смоченной в теплой мыльной воде. Ткань должна быть чистой и сильно отжатой. По окончании, удалите остатки влаги сухой, чистой тканью.

Важно

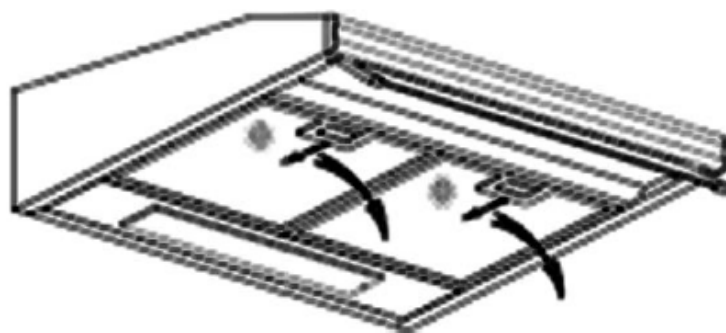
Используйте нейтральные моющие средства, избегайте использования жестких чистящих химикатов, сильных бытовых моющих средств, а также абразивных веществ, поскольку это может воздействовать на внешний вид устройства и удалить с панели управления все обозначения, а также привести к отмене гарантии изготовителя.

ЖИРОУЛАВЛИВАЮЩИЕ СЕТЧАТЫЕ ФИЛЬТРЫ

Эти фильтры можно чистить вручную. Замочите их примерно на 3 минуты в воде с добавлением моющего средства, снимающего жир, затем аккуратно почистите мягкой щеткой. Не применяйте больших усилий, стараясь не повредить. (Положите сушиться, укрыв от солнца)

Фильтры необходимо мыть отдельно от посуды и кухонной утвари, не рекомендуется использовать ополаскиватели.

- Снятие фильтров показано на следующем рисунке.
- Не используйте абразивных моющих средств, поскольку это может повредить вытяжку.



УСТАНОВКА ЖИРОУЛАВЛИВАЮЩИХ СЕТЧАТЫХ ФИЛЬТРОВ

- Фильтры устанавливаются в следующие четыре операции.
 - Наклоните фильтр в сторону прорезей на задней панели вытяжки.
 - Нажмите кнопку на ручке фильтра.
 - Отпустите ручку как только фильтр установится в надлежащее положение.
 - Повторите перечисленные действия для остальных фильтров.

УГОЛЬНЫЙ ФИЛЬТР

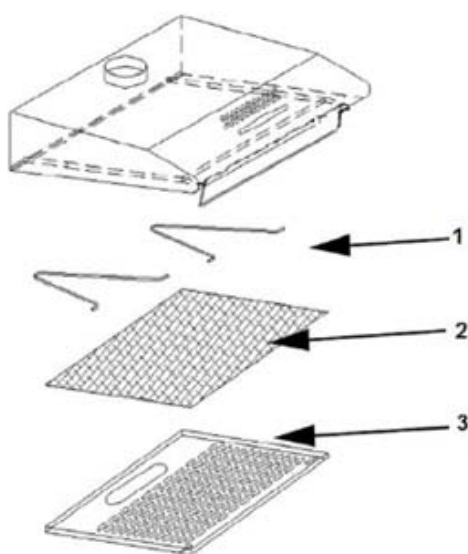
Фильтр из активированного угля можно использовать для устранения запахов. Обычно фильтр из активированного угля на кухне следует заменять каждые три или шесть месяцев. Процедура установки фильтра из активированного угля.

1. Снимите жировулавливающий фильтр.
2. Поместите угольный фильтр на жировулавливающий.
3. Закрепите надлежащим образом отрегулированный угольный фильтр

небольшим куском стальной проволоки.

4. Установите на место жирособирающий фильтр.

5. Используйте угольные фильтры только в режиме рециркуляции.



1 Стальной крюк


2 Угольный фильтр

3 Жирособирающий фильтр

ПРИМЕЧАНИЕ.

- Убедитесь в надежном креплении фильтра. Иначе есть угроза его обрыва.
- В случае установки фильтра из активированного угля, мощность всасывания снижается.

ЗАМЕНА ЛАМПЫ

<p>Важно:</p> 	<ul style="list-style-type: none">✧ Замена лампы должна выполняться изготовителем, его агентом по обслуживанию или лицом с аналогичной квалификацией.✧ Непременно отключайте электропитание перед проведением на устройстве любых работ. Проводите любые операции только с остывшей лампой.✧ При работе с лампами касайтесь их только через ткань или в перчатках, поскольку пот может приводить к преждевременному выходу из строя этих устройств.
----------------------------------------------------------------------------------------------------------	-------------------------------------------------------------------------------------------------------------------------------------------------------------------------------------------------------------------------------------------------------------------------------------------------------------------------------------------------------------------------------------------------------------------------------------------------------------------------------------

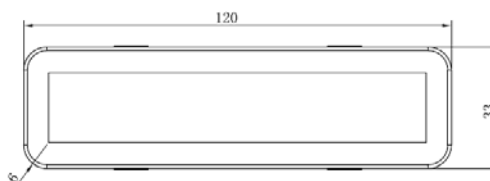
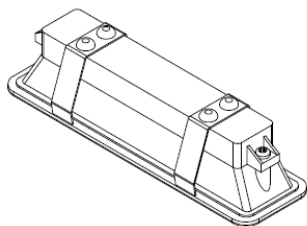
Замена лампы подсветки:

*Перед заменой лампы подсветки непременно отключите устройство от электропитания.


*Ослабьте отверткой самонарезающие винты ST4*8 мм (2 шт.) на световой панели, снимите крепление светового элемента. Откройте клеммную коробку, к которой подключен провод, отсоедините его от клеммы и замените лампу.

- D-код MCOЛ этой лампы: DBS-2.5/65-H-120/33
- Светодиодные модули – прямоугольная лампа
- Макс. мощность: 2,5 Вт
- Интервал напряжений: 220-240 В переменного тока

– Размеры:



ЗАЩИТА ОКРУЖАЮЩЕЙ СРЕДЫ:

	<p>Данное изделие маркировано знаком выборочной сортировки отходов электронного оборудования. Это означает, что его нельзя утилизировать вместе с бытовыми отходами – должна быть задействована система сбора отходов, соответствующая требованиям Директивы 2012/19/EU. Изделие должно быть утилизировано или переработано с минимизацией воздействия на окружающую среду – электрические и электронные изделия опасны для окружающей среды и здоровья человека из-за наличия в них вредных веществ. Подробнее можно узнать в местных или региональных органах власти.</p>
-----------------------------------------------------------------------------------	-----------------------------------------------------------------------------------------------------------------------------------------------------------------------------------------------------------------------------------------------------------------------------------------------------------------------------------------------------------------------------------------------------------------------------------------------------------------------------------------------------------------------------------------------------------------------------

ПРИМЕЧАНИЕ.

Ниже показано, как можно снизить воздействие кухонных процессов на окружающую среду (например, за счет энергосбережения).

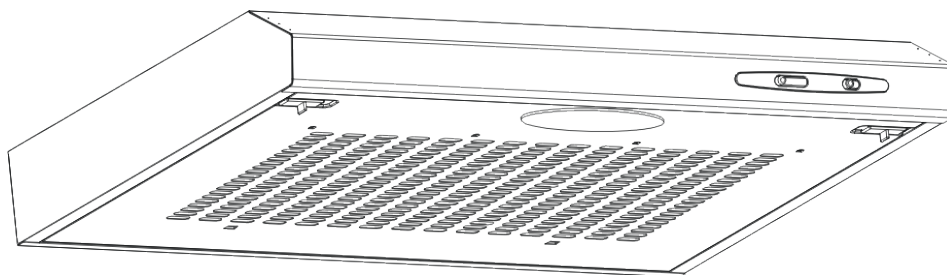
- (1) Устанавливайте вытяжку в надлежащем месте с эффективной вентиляцией.
- (2) Регулярно чистите вытяжку, чтобы не забивались воздушные каналы.
- (3) Не забывайте выключать подсветку вытяжки по окончании приготовления пищи.
- (4) Не забывайте выключать вытяжку по окончании приготовления пищи.

ИНФОРМАЦИЯ ДЛЯ ДЕМОНТАЖА

Не демонтируйте устройство способом, отличным от описанного в руководстве пользователя. Не разрешается демонтаж устройства пользователем. В конце срока эксплуатации устройство нельзя утилизировать вместе с бытовыми отходами. По вопросам повторной переработки устройства обращайтесь в местные органы власти.

Kuhane jedi

Navodila za uporabo



Vsebina

1	Varnostnanavodila
2	Namestitev
3	Začetekporabe vaših kuhinjske nape
4	Odpravljanje težav
5	Vzdrževanje in čiščenje
6	Varstvo okolja

VARNOSTNA NAVODILA

V teh navodilih smo opisali pravilno namestitvev in uporabo vaše kuhinjske nape. Prosimo vas, da jih natančno preberete, tudi če izdelek že poznate. Navodila shranite na varno mesto, kjer bodo na voljo za kasnejšo uporabo.

Nikoli ne:

- Ne uporabljajte kuhinjske nape brez maščobnega filtra, ali če je na filtru preveč maščobe!
- Ne nameščajte je nad štedilnik z žarom na visokem nivoju.
- Ne puščajte ponev, v katerih cvrete jedi, brez nadzora, ker lahko razgreta maščoba ali olja zagorijo.
- Nikoli ne puščajte odprtega ognja pod napo.



- Če je kuhinjska napa poškodovana, je ne uporabljajte.
- Pod kuhinjsko napo ne flambirajte.
- **PREVIDNO:** Dostopni deli se lahko med uporabo kugalnika močno segrejejo.
- Minimalna razdalja med površino kugalnika, na katero postavite posodo, in najnižji del nape. (Če je kuhinjska napa nad plinskim štedilnikom, mora biti ta razdalja najmanj 65 cm)
- Zrak ne sme biti speljan v dimno cev, ki se uporablja za izpuh plinskih naprav ali naprav na druga goriva.



Vedno:

- Pomembno! Med nameščanjem in vzdrževalnimi deli, kot je na primer tudi menjava žarnice, vedno izklopite električno napajanje.
- Kuhinjsko napo morate namestiti v skladu z navodili za namestitvev in nadaljnjimi ukrepi.
- Celotno namestitvev lahko opravi samo kompetentna oseba oz. strokovno usposobljen električar.
- Prosimo vas, da embalažo previdno odložite med odpadke. Lahko predstavlja nevarnost za otroke.
- Bodite pozorni na ostre robove kuhinjske nape, zlasti med nameščanjem in čiščenjem.
- Če je kuhinjska napa nad plinskim štedilnikom, je minimalna razdalja med površino štedilnika, na katero postavite posodo, in najnižjim delom kuhinjske nape:

Plinski štedilnik:	75 cm
Električni štedilnik:	65 cm
Štedilnik na premog ali olje:	75 cm
- Zagotovite, da napeljava ne bo imela ostrejših kotov od 90 stopinj, ker bi bila učinkovitost kuhinjske nape močno zmanjšana.
- **POZOR:** Če vijakov ali delov za pritrditev ne namestite v skladu z navodili, obstaja električna nevarnost

Vedno:

- Če kuhate na plinskem štedilniku, posode in ponve pokrijte s pokrovko.
- Ko je v načinu odvajanja, kuhinjska napa odstranjuje zrak iz prostora. Ne pozabite na ustrezno zračenje. Kuhinjska napa s prostora odstrani vonjave, ne pa tudi pare.
- Kuhinjska napa je primerna samo za uporabo v gospodinjstvih.



- Če je električni kabel poškodovan, ga mora zamenjati proizvajalec, serviser ali podobno kvalificirana oseba, da preprečite morebitne nevarnosti.
- Ta aparat lahko uporabljajo otroci, starejši od 8 let, ter osebe z zmanjšanimi fizičnimi, senzoričnimi ali umskimi sposobnostmi ali s pomanjkljivimi izkušnjami in znanjem, vendar samo pod ustreznim nadzorom ali če imajo navodila za varno uporabo naprave in če razumejo morebitne nevarnosti. Otroci naj se z aparatom ne igrajo. Brez nadzora otroci nape ne smejo čistiti in na njej ne smejo izvajati vzdrževalnih del.



- **POZOR:** Preden dostopate do terminalov, morate izključiti vsa napajanja.

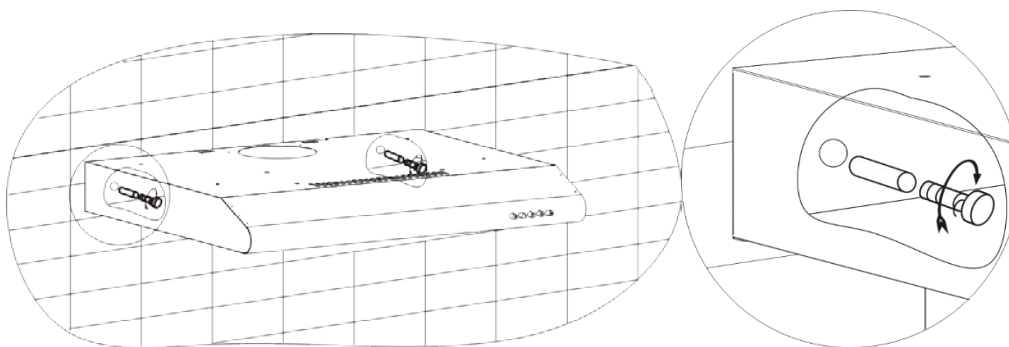
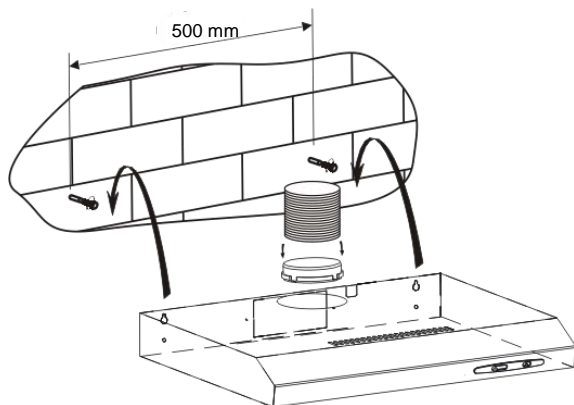
Vedno:

- **Pozor:** Napa in njeni dostopni deli se med delovanjem močno segrejejo. Bodite pozorni in ne dotikajte se vročih delov. Otroci, mlajši od 8 let, ne smejo biti v bližini kuhinjske nape, razen pod stalnim nadzorom.
- V prostoru mora biti zagotovljeno primerno zračenje, če kuhinjsko napo uporabljate hkrati s štedilnikom na plin ali na drugo gorivo.
- Obstaja nevarnost požara, če nape ne čistite v skladu z navodili
- Odvod zraka mora biti urejen v skladu s pravili.
- Napo redno čistite, pri čemer pa upoštevajte navodila v poglavju VZDRŽEVANJE.
- Iz varnostnih razlogov uporabljajte vijake za pritrditev ali montažo, ki jih priporočamo v navodilih za uporabo.
- Podrobnosti načina in časovni intervali čiščenja so predstavljeni v poglavju o vzdrževanju in čiščenju v navodilih za uporabo.
- Brez nadzora otroci nape ne smejo čistiti in na njej ne smejo izvajati vzdrževalnih del.
- Ko hkrati delujejo kuhinjska napa in kuhinjski aparati, ki se napajajo razen z elektriko tudi z drugo energijo, negativni tlak v prostoru ne sme preseči 4 Pa (4 x 10⁻⁵ bar).
- **POZOR:** Nevarnost požara: ne hraniti stvari na kuhlani površini.
- Ne uporabljajte parnega čistilnika.
- **NIKOLI** ognja ne poskušajte pogasiti z vodo, ampak izklopite aparat in nato ogenj pokrijte npr. s pokrovom ali protipožarno odejo.

Namestitev

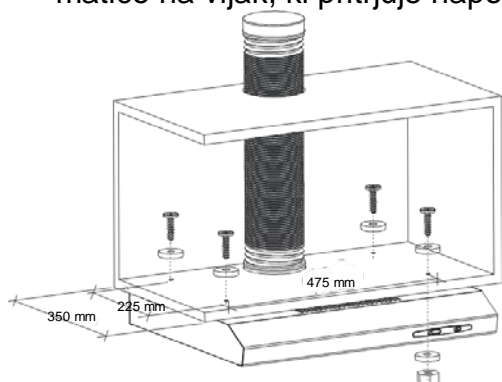
A. NAMESTITEV (montaža na steno)

- (1) Izberite mesta, kjer bodo luknje za pritrditev kuhinjske nape.
- (2) Kuhinjsko nabo montirajte na steno s 4 vijaki (4 x 30 mm)



B. NAMESTITEV (montaža na omarice)

- (1) Montirajte kuhinjsko nabo na omarico in sicer s 4 vijaki (4 x 35 mm), 4 maticami in ploskimi tesnili. Kuhinjsko nabo pritrdite na omarico s 4 vijaki in 4 ploskimi tesnili z vrha omarice na nabo. Potem znotraj nape namestite plosko tesnilo in matico na vijak, ki pritrjuje nabo na omarico.



Ne pozabite: Obstajata dva načina odzračevanja, vključno z 'vodoravnim odzračevanjem' in 'navpičnim odzračevanjem'. Prosimo vas, da ste med nameščanjem nape pozorni na odzračevanje.

Vodoravno odzračevanje: Glej sl. 4 A, uporabite pokrov, da zatesnite izhod na vrhu, nato se bo zrak lahko odvajal od zadaj.

Navpično odzračevanje: Glej sl. 4B, uporabite pokrov, da zatesnite izhod na vrhu, nato se bo zrak lahko odvajal z vrha.

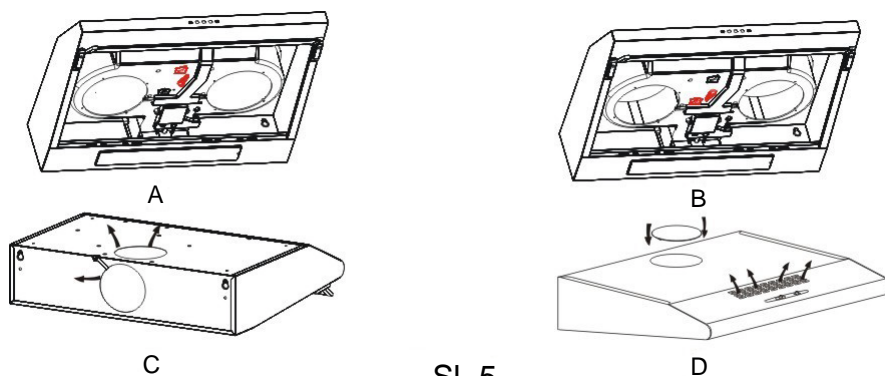


Sl. 4


Nastavitve odzračevanja

Zunanje odzračevanje: Stikalo namestite na zunanje odzračevanje (sl. 5 A), namestite izhod, vklopite napo in zrak bo speljan ven skozi odvod.

Notranja ventilacija: Stikalo namestite na notranjo ventilacijo (sl. 5B), namestite pokrov izhoda, vklopite napo in zrak bo speljan skozi notranji odvod.



Sl. 5

POZOR: 	<ul style="list-style-type: none"> ➤ Iz varnostnih razlogov uporabljajte vijake za pritrditev ali montažo, ki jih priporočamo v navodilih za uporabo. ➤ Če vijakov ali delov za pritrditev ne namestite v skladu z navodili, obstaja električna nevarnost
---------------------------------------------------------------------------------------------	-----------------------------------------------------------------------------------------------------------------------------------------------------------------------------------------------------------------------------------------------------------------------------------

Začetek uporabe vaše kuhinjske nape

Klecno stikalo

Za motor so na voljo 3 nastavitve motorja in stikalo za vklop in izklop luči.

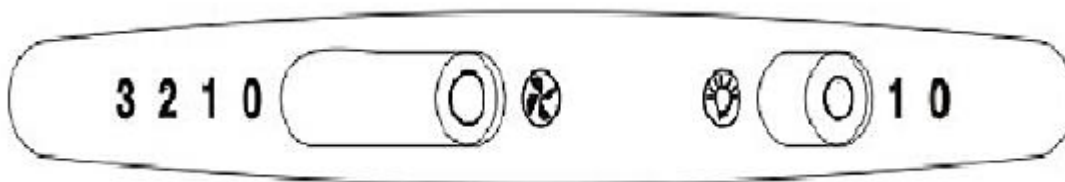
Za delovanje potisnite stikalo v zeleno smer.

Delovanje motorja

- 0- izklop
- 1- Izbira nizke moči
- 2- Izbira srednje moči
- 3- Izbira visoke moči

Delovanje luči

- 0- izklop
- 1- vklop



ODPRAVLJANJE NAPAK

Napaka	Možen vzrok	Rešitev
Luč sveti, motor pa ne deluje	Stikalo ventilatorja izklopljeno	Izberite položaj stikala ventilatorja.
	Preklop ventilatorja ni uspel	Obrnite se na servisni center.
	Napaka motorja	Obrnite se na servisni center.
Luč ne deluje, motor tudi ne.	Napaka na varovalkah	Ponastavite/Zamenjajte varovalke.
	Električni kabel je izključen	Ponovno vključite kabel v električni vtič. Vklopite električno napetost.
Puščanje olja	Enosmerni ventil in izhod nista dobro zatesnjena	Vzemite enosmerni ventil in zatesnite s tesnilnim sredstvom.
	Puščanje povezave odvoda in pokrova	Zatesnite priključek odvoda.

Luči ne delujejo.	Okvarjene žarnice ali z napako	Zamenjajte žarnice po teh navodilih.
Nezadostno sesanje	Razdalja med kuhinjsko nabo in plinskim štedilnikom je prevelika	Nabo nastavite na pravilno razdaljo.
Kuhinjska napa se nagiba.	Vijaki za pritrditev niso dovolj pritrjeni	Pritrdite viseč vijak, da bo vodoraven.

OPOMBA:



Vsa električna popravila aparata morajo biti skladna z lokalnimi, državnimi in zveznimi zakoni. V primeru dvomov se obrnite na servisni center preden začnete z deli. Vedno najprej izključite nabo iz električne napetosti, če jo odpirate.

VZDRŽEVANJE IN ČIŠČENJE

Pozor:

- Pred vzdrževalnimi deli ali čiščenjem je treba kuhinjsko nabo izključiti iz električnega napajanja. Kuhinjsko nabo izključite iz stenske vtičnice in vtič umaknite.
- Zunanje površine so občutljive na praske in odrgnine, zato upoštevajte navodila za čiščenje, da bo najboljši možen rezultat dosežen brez škode.



SPLOŠNO

Čiščenje in vzdrževalna dela se smejo izvajati, ko je napa hladna, zlasti med čiščenjem. Na površini nape ne puščajte bazičnih ali kislih snovi (limonin sok, kis itd.).

NERJAVNO JEKLO

Nerjavno jeklo je treba redno čistiti (npr. tedensko) za njegovo dolgo življenjsko dobo. Osušite s čisto mehko krpo. Uporabi se lahko posebna tekočina za nerjavno jeklo.

POZOR:

Pri brisanju nerjavnega jekla morate preprečiti neželene praske in spraskan videz.

POVRŠINA NADZORNE PLOŠČE

Nadzorno ploščo lahko čistimo s toplo milnico. Krpa mora biti čista in dobro ožeta. Odvečno vlago po čiščenju odstranite z mehko čisto krpo.

Pomembno

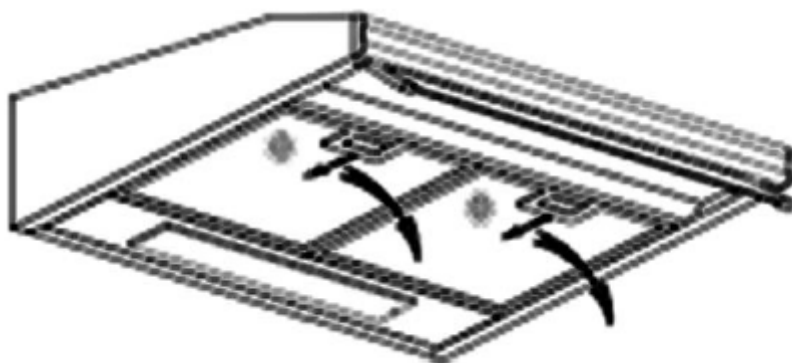
Čistite z nevtralnimi detergenti in ne uporabljajte ostrih kemikalij, močnih gospodinjskih detergentov ali abrazivnih izdelkov, ker lahko poškodujejo videz nape in potencialno lahko odstranijo natisnjene napise na nadzorni plošči in zaradi njih lahko preneha veljati garancija.

MREŽASTI MAŠČOBNI FILTER

Mrežaste filtre lahko čistite ročno. Namočite za 3 minute v vodo z detergentom, ki topi maščobo, nato jih na rahlo skrtačite z mehko krtačo. Ko krtačite, ne pritiskajte preveč, ker boste napo poškodovali. (Posušite naravno, ne neposredno na soncu)

Filtre pomivajte ločeno od pribora in kuhinjske posode. Priporočamo, da ne uporabljate sredstev za izpiranje.

- Odstranite filtre kot je prikazano spodaj na sliki.
- Ne uporabljajte abrazivnih detergentov, ker lahko napo poškodujete.



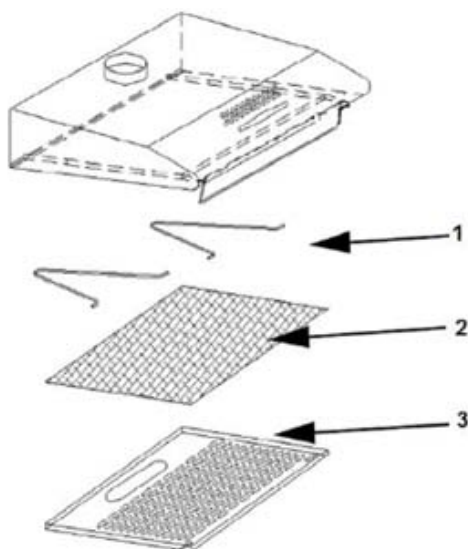
NAMEŠČANJE MREŽASTEGA MAŠČOBNEGA FILTRA

- Filtre namestite v naslednjih korakih.
 - Namestite filtre v reže na zadnji strani nape.
 - Pritisnite gumb na ročaj filtra.
 - Sprostite ročaj, ko je filter nameščen na položaj.
 - Postopek ponovite za vse filtre.

FILTER Z OGLJEM

Filter z aktivnim ogljem se lahko uporablja proti neprijetnim vonjem. Običajno je treba filter z ogljem zamenjati na tri ali šest mesecev, odvisno od kuharskih navad. Postopek namestitve filtrov z aktivnim ogljem je opisan spodaj.

1. Odstranite maščobni filter.
2. Na maščobni filter namestite filter z ogljem.
3. Pravilno naravnan filter z ogljem pritrдите z majhno jekleno žico.
4. Ponovno namestite maščobni filter.
5. Filter z ogljem uporabite samo za kroženje.



1 Obešalo iz jekla


2 Filter z ogljem

3 Maščobni filter

POZOR:

- Prepričajte se, da je filter varnostno blokiran. V nasprotnem filter ne bo pritrjen in bo predstavljal nevarnost.
- Ko je dodan filter z aktivnim ogljem, bo moč sesanja manjša.

MENJAVA ŽARNICE

<p>Pomembno</p> 	<ul style="list-style-type: none"> ✧ Žarnico mora zamenjati proizvajalec, serviser ali podobno kvalificirana oseba. ✧ Vedno najprej izklopite električno napetost in se šele nato lotite del na aparatu. Ko menjate žarnico, se najprej prepričajte, da se bo popolnoma ohladila, šele nato se jo lahko dotikate. ✧ Ko delate s sijalkami, jih držite s krpo ali rokavicami, da ne bodo prišle v stik z znojem, ker bi se tako skrajšala življenjska doba sijalke.
-----------------------------------------------------------------------------------------------------	-----------------------------------------------------------------------------------------------------------------------------------------------------------------------------------------------------------------------------------------------------------------------------------------------------------------------------------------------------------------------------------------------------------------------------------------------------------------------------------------------------

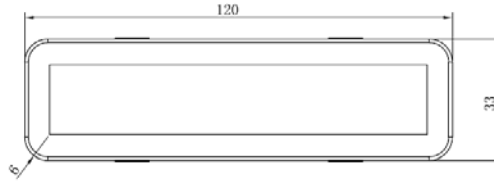
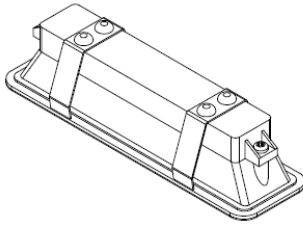
Zamenjava žarnice

*Pred menjavo luči se prepričajte, da je napa izklopljena.


*Uporabite izvijač za ST4*8MM samovrezne vijake (2 kosa) s panela luči, odstranite vpenjala luči. Odprite škatlo, ki je povezana z žico, izključite žico in zamenjajte luč.

• ILCOS D koda za to luč je: **DBS-2.5/65-H-120/33**

- Moduli LED – pravokotna luč
- Maks. watt: 2.5 W
- Obseg napetosti: AC 220-240V
- Dimenzije:



VARSTVO OKOLJA:

	<p>Izdelek je označen s simbolom selektivnega ločevanja elektronskih odpadkov. To pomeni, da izdelka ne smemo odlagati med gospodinske odpadke, ampak ga je treba odložiti v sistem selektivnega zbiranja odpadkov v skladu s smernico 2012/19/ES. Nato ga lahko recikliramo ali razgradimo, da bo vpliv na okolje zmanjšan na minimum, električni in elektronski izdelki so potencialno nevarni za okolje in zdravje ljudi zaradi nevarnih snovi. Za več informacij se obrnite na svoje lokalne ali regionalne oblasti.</p>
-----------------------------------------------------------------------------------	------------------------------------------------------------------------------------------------------------------------------------------------------------------------------------------------------------------------------------------------------------------------------------------------------------------------------------------------------------------------------------------------------------------------------------------------------------------------------------------------------------------------------

POZOR:

V nadaljevanju je prikazano, kako zmanjšamo celotni vpliv na okolje (uporabo energije) med kuhanjem).

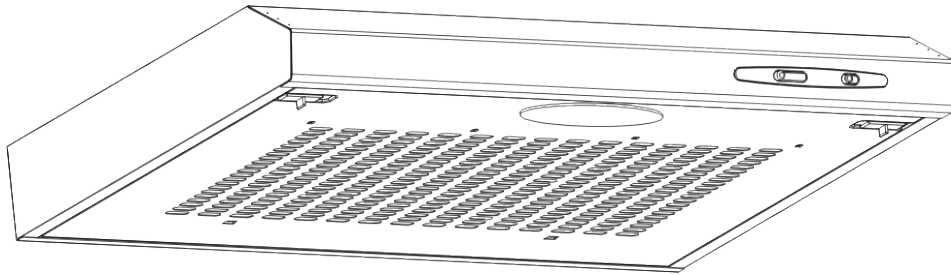
- (1) Kuhinjsko napo namestite na primerno mesto z zadostnim zračenjem.
- (2) Kuhinjsko napo redno čistite, da se zračne poti ne bodo blokirale.
- (3) Po kuhanju ne pozabite izključiti luči v napi.
- (4) Po kuhanju ne pozabite izključiti nape.

INFORMACIJE O RAZGRAJEVANJU

Nape ne razgradite drugače, kot je prikazano v navodilih za uporabo. Nape ne more razgraditi uporabnik. Po koncu življenjske dobe je ne smete odložiti med gospodinske odpadke. Za nasvet se lahko obrnete na svoje lokalne oblasti ali na podjetje za recikliranje

Spisfläkt

Bruksanvisning



Innehåll

1	Säkerhetsinstruktioner
2	Installation
3	Börja att använda din spisfläkt
4	Felsökning
5	Skötselochrengöring
6	Miljöskydd

SÄKERHETSINSTRUKTIONER

Denna bruksanvisning förklarar korrekt installation och användning av spisfläkten, läs den noggrant innan användning, även om du är bekant med produkten. Spara bruksanvisningen på säker plats för framtida behov.

Att aldrig göra:

- Använd aldrig spisfläkten utan fettfilter eller om filtren är väldigt använda!
- Installera inte spisfläkten över en spis som har hög grillnivå.
- Lämna inte stekpannor obevakat under matlagning eftersom överhettade fetter eller oljor kan fatta eld.
- Lämna aldrig fria lågor under spisfläkten.



- Om spisfläkten är trasig, försök inte att använda den.
- Flambra inte under spisfläkten.
- Försiktighet: Tillgängliga delar kan bli heta när de används med matlagningsredskap.
- Minsta avstånd mellan kokkärlens underlag på spisen och spisfläktens nedre del. (När spisfläkten är installerad över en gasanordning ska det vara ett avstånd på minst 65 cm)
- Luften ska inte tömmas i en rökkanal som används för att suga ut rök från apparater som bränner gas eller andra bränslen.



Att alltid göra:

- Viktigt! Koppla alltid ifrån strömförsörjningen under installation och skötsel och vid byte av glödlampa.
- Spisfläkten måste installeras enligt monteringsanvisningarna och alla följande mätningar.
- All installation ska uträttas av en kompetent person eller kvalificerad tekniker.
- Vänligen, se till att kassera förpackningsmaterialet med försiktighet. Barn är känsliga för det.
- Var uppmärksam på spisfläktens skarpa kanter, speciellt vid installation och rengöring.
- När spisfläkten är installerad över en gasanordning måste minsta avstånd mellan kokkärlens underlag på spisen och spisfläktens nedre del vara:

Gasspis:	75 cm
Elektriska spisar:	65 cm
Kol eller oljespisar:	75 cm
- Se till att ledningen inte har böjningar som överstiger 90 grader, det skulle sänka spisfläktens effektivitet.
- Varning: Om skruvarna eller fixeringsanordningen inte monteras enligt dessa anvisningar kan elektriska faror uppkomma

Att alltid göra:

- Lägga alltid lock på kastruller och kokkärl när du lagar mat på en gasspis.
- När den står i utsugningsläge, avlägsnas luften i rummet av spisfläken. Vänligen, se till att lämpliga ventilationsåtgärder följs. Spisfläkten avlägsnar lukt men inte ånga från rummet.
- Spisfläkten har konstruerats för hushållsbruk enbart.



- Om elsladden skadas måste den bytas av tillverkaren, dennes serviceombud eller liknande kvalificerad person för att undvika faror.
- Den här apparaten kan användas av barn från 8 års ålder och av personer med nedsatt fysisk, sensorisk eller mental förmåga om de har fått handledning eller instruktioner för säker användning och förstår de faror som är inblandade. Barn ska inte leka med apparaten. Rengöring och skötsel ska inte utföras av barn utan uppsikt.



- Varning: Innan tillgång till uttag ska alla strömförsörjningskretsar var bortkopplade.

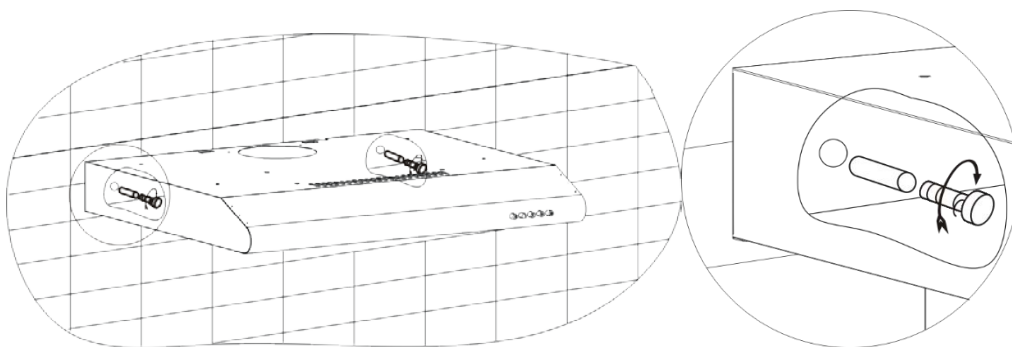
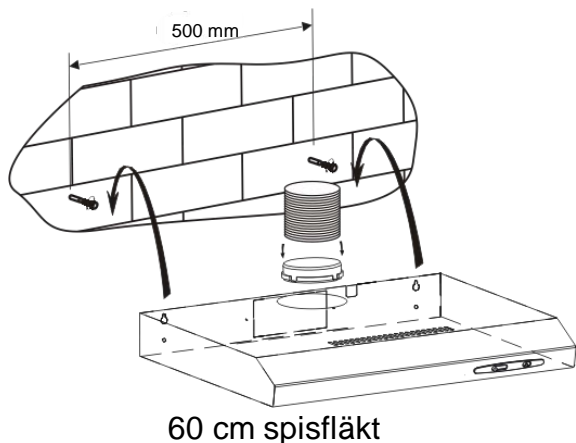
Att alltid göra:

- Försiktighet: Apparaten och dess tillgängliga delar kan bli heta under användning. Var uppmärksam på att inte röra de heta delarna. Barn under 8 år ska hållas på avstånd från apparaten om de inte är under konstant uppsikt.
- Rummet ska vara ordentligt ventilerat när spisfläkten används tillsammans med andra apparater vilka matas med gas eller annat bränsle.
- Det finns en brandrisk om rengöring inte utförs enligt instruktionerna
- Föreskrifter om utsläpp av luft måste vara uppfyllda.
- Rengör din apparat regelbundet genom att följa metoden angiven i kapitlet för SKÖTSEL.
- Av säkerhetsskäl, använd endast samma storlek på fäst- eller monteringskruvarna som anges i bruksanvisningen.
- Gällande detaljer för metoder av rengöring och dess frekvens, se avsnittet för skötsel och rengöring i bruksanvisningen.
- Rengöring och skötsel ska inte uträttas av barn utan uppsikt.
- När spisfläkten och apparater som drivs med annan typ av energi än elektrisk energi används samtidigt får undertrycket i rummet inte överskrida 4 Pa (4 x 10⁻⁵ bar).
- VARNING: Risk för brand: använd inte spishällen som avställningsplats.
- En ångtvätt ska inte användas.
- Försök aldrig att släcka eld med vatten, stäng endast av apparaten och täck sedan över flaman med t.ex. ett lock eller ett brandtäck.

INSTALLATION

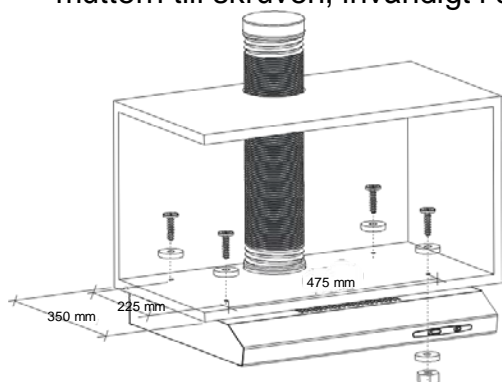
A. INSTALLATION (Väggmontering)

- (1) Bestäm hålens placering för fixering av spisfläkten.
- (2) Montera spisfläkten på väggen och använd 4 skruvar (4x 30 mm)



B. INSTALLATION (Skåpmontering)

- (1) Montera spisfläkten på skåpet och använd 4 skruvar (4x35 mm), 4 muttrar och platta brickor. Fäst spisfläkten på skåpet med de 4 skruvarna och de 4 platta brickor genom skåpet till spisfläkten. Använd sedan den platta brickan och muttern till skruven, invändigt i spisfläkten, för att fästa apparaten på skåpet.



Buller: Det finns 2 metoder för ventilation vilka inkluderar 'horisontell ventilation' och 'vertikal ventilation'. Var observant på ventilationsmetoden vid installation.

Horisontell ventilation: Se Fig 4A, använd locket för att täta utloppet på toppen, då kan luften ventileras från baksidan.

Vertikal ventilation: Se Fig 4A, använd locket för att täta utloppet på baksidan, då kan luften ventileras från toppen.



FIG 4

Inställning av luftventilation

Utvändig luftventilation: Vrid regleraren till utomhusläge(fig.5A), installera utloppet, sätt på spisfläkten, luften kommer att ventileras från det utvändiga utloppet.

Invändig luftventilation: Vrid regleraren till inomhusläge (fig.5B), installera utloppsloppet, sätt på spisfläkten, luften kommer att ventileras från det invändiga utloppet.

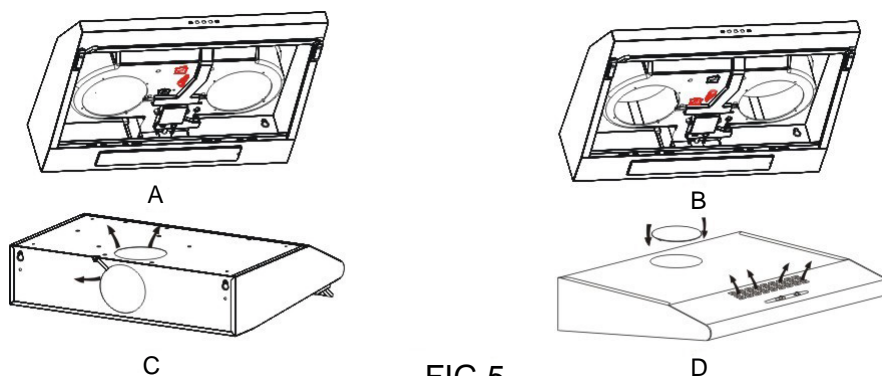



FIG 5

<p>VARNING:</p> 	<ul style="list-style-type: none">➤ Av säkerhetsskäl, använd endast samma storlek på fäst- eller monteringskruvarna som anges i bruksanvisningen.➤ Om du inte installerar skruvarna eller fixeringsanordningen enligt dessa anvisningar kan det leda till elektriska faror.
------------------------------------------------------------------------------------------------------------	----------------------------------------------------------------------------------------------------------------------------------------------------------------------------------------------------------------------------------------------------------------------------------------------------

Börja att använda din spisfläkt

Vippströmbrytare

Det finns 3 hastigheter för motorn och en på/av-brytare för lampan.

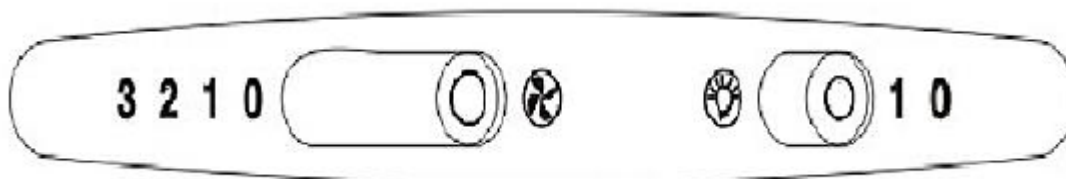
Skjut brytaren för att sätta på och av.

Motordrift

- 0- av
- 1- Låg effektinställning
- 2- Medel effektinställning
- 3- Hög effektinställning

Funktion av belysning

- 0- Av
- 1- På



FELSÖKNING

Fel	Möjlig orsak	Lösning
Belysningen är på men motorn fungerar inte	Fläktbrytaren är avstängd	Välj fläktbrytarläge.
	Fläktbrytarfel	Kontakta servicecentret.
	Motorfel	Kontakta servicecentret.
Belysning fungerar inte, motorn fungerar inte	Säkringar har gått	Återställ/byt säkringar.
	Elkabeln är lös eller bortkopplad	Sätt tillbaka kabeln i eluttaget. Sätt på strömmen till uttaget.
Oljeläckage	Envägsventil och utlopp är inte tätt förseglade	Montera ner envägsventilen och täta med tätningsmedel.
	Läckage från anslutningen av skorsten och lock	Montera ner skorstenen och täta.
Belysning fungerar inte	Sönder/fel lampkuper	Byt lampkuper enligt följande instruktion.
Otillräckligt insug	För stort avstånd mellan spisfläkt och gashäll	Återställ spisfläkten till rätt avstånd
Spisfläkten lutar	Fastsättningskruven inte tillräckligt åtdragen	Dra åt den lösa skruven för rätt position.

OBSERVERA:



Alla elektriska reparationer på denna apparat måste överensstämma med lokala, statliga och federala lagar. Vänligen kontakta servicecentret om du är osäker innan du utför något av ovanstående. Koppla alltid av enheten från strömkällan när du öppnar enheten.

SKÖTSEL OCH RENGÖRING

Försiktighet:

- Innan utförande av skötsel eller rengöring, ska spisfläkten vara bortkopplad från nätaggregatet. Se till att spisfläkten är avstängd vid vägguttaget och att kontakten är borttagen.



Externa ytor är känsliga för repor och skrapningar. Följ därför instruktionerna för rengöring så att bästa möjliga resultat uppnås utan skador.

ALLMÄNT

Rengöring och skötsel bör utföras när utrustningen är kall, speciellt vid rengöring. Undvik att lämna alkaliska eller sura substanser (citronsaft, ättika etc.) på ytorna.

ROSTFRITT STÅL

Rostfritt stål måste rengöras regelbundet (varje vecka) för att säkerställa lång livslängd. Torka med en ren mjuk trasa. Ett speciellt rengöringsmedel för rostfritt stål kan användas.

OBSERVERA:

Se till att torkning görs längs med stålets fibrer för att förhindra att överkrossningsmönster uppträder.

MANÖVERPANELENS YTA

Inläggspanelen kan rengöras med varmt tvålatten. Se till att trasan är ren och väl vriden innan rengöring. Använd en torr, mjuk trasa för att avlägsna all fukt som finns kvar efter rengöring.

Viktigt

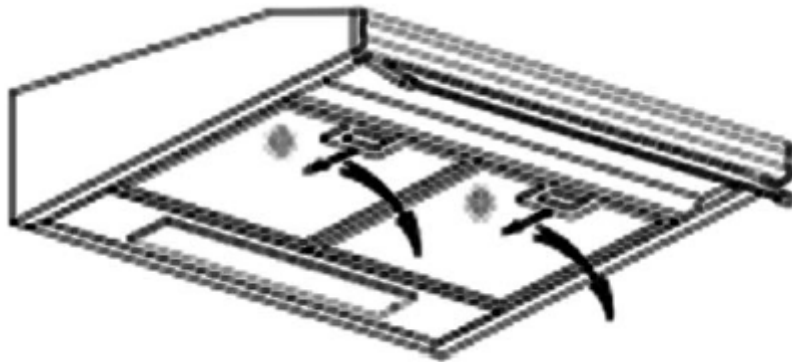
Använd neutrala rengöringsmedel och undvik hårda kemiska rengöringsmedel, starka hushållsmedel eller produkter som innehåller slipmedel, eftersom detta kommer att påverka apparatens utseende och eventuellt avlägsna all skrift på manöverpanelen samt att tillverkargarantin upphör.

FETTFILTERGALLER

Filtret kan rengöras för hand. Lägg filtren i blöt i vatten ca 3 minuter med ett fettlösande rengöringsmedel och borsta dem försiktigt med en mjuk borste. Använd inte för mycket tryck, så att de inte förstörs. (Låt filtren torka naturligt i direkt solljus)

Filtren ska rengöras separat från porslin och husgeråd, det är inte lämpligt att använda sköljmedel.

- Avlägsna filtren enligt instruktionerna i fig nedan.
- Använd inte slipande rengöringsmedel, det kommer att förstöra kåpan.



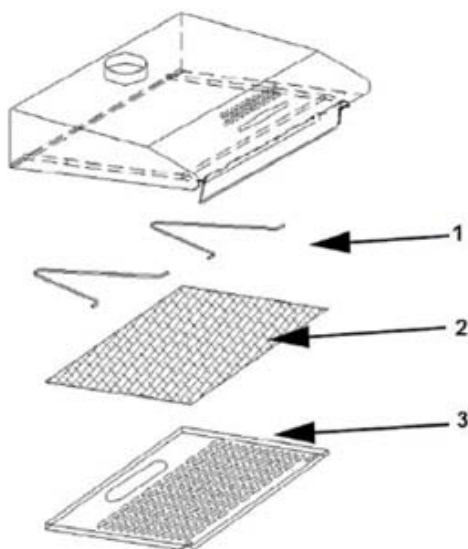
MONTERING AV FETTFILTERGALLER

- Följ de fyra stegen för montering av filter:
 - Vinkla filtret i spåren längst in i kåpan.
 - Tryck in knappen på filterhandtaget.
 - Släpp handtaget när filtret är på plats i sitt läge.
 - Gör på samma sätt med alla filter.

KOLFILTER

Aktiverat kolfilter kan användas för att avlägsna lukt. Normalt ska filtret med aktiverat kol bytas efter tre eller sex månader, beroende på matlagingsvanor. Nedan finns installationsförfarandet för aktiverat kolfilter.

1. Avlägsna fettfiltret.
2. Placera kolfiltret på fettfiltret.
3. Fixera kolfiltret med den lilla ståltråden.
4. Sätt tillbaka fettfiltret.
5. Använd kolfilter endast i återcirkulationsläge.



1 Stålhängare


2 Kolfilter

3 Fettfilter

OBSERVERA:

- Se till att filtret är ordentligt låst. Annars kan det lossna och orsaka fara.
- När aktiverat kolfilter är anslutet sänks insugsfunktionen.

BYTE AV BULB

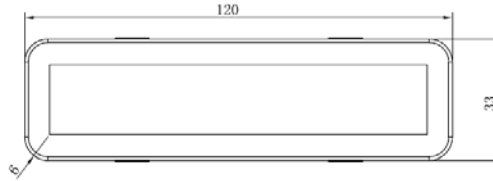
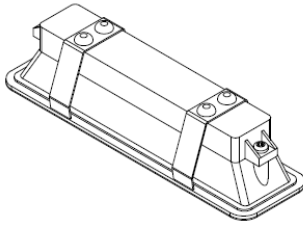
<p>Viktigt :</p> 	<ul style="list-style-type: none"> ✧ Lampan måste bytas av tillverkaren, serviceombudet eller liknande kvalificerad person. ✧ Stäng alltid av strömförsörjningen innan utförande av några utförande på apparaten. Vid hantering av lampa, se till att den är helt nedkyld innan du tar den i händerna. ✧ Vid hantering av lampor, använd en trasa eller handskar för att säkerställa att svett inte kommer i kontakt med globen, eftersom detta kan minska dess livslängd.
------------------------------------------------------------------------------------------------------	-------------------------------------------------------------------------------------------------------------------------------------------------------------------------------------------------------------------------------------------------------------------------------------------------------------------------------------------------------------------------------------------------------------------------------------------------------------------------------------------------------------

Ändring av belysning:


*Innan ändring av belysning, se till att apparaten är bortkopplad..

*Använd skruvmejsel och lossa på den gängskärande skruven ST4*8MM (2st) på belysningspanelen och ta ut ljusarmaturen. Öppna uttagslådan som är ansluten till ledningen, koppla loss tråddragningen och byt ut lampan.

- ILCOS D koden för denna lampa är: **DBS-2.5/65-H-120/33**
- Lysdiodmodul–rektangulär lampa
- Max wattal: 2.5 W
- Spänningsområde: AC 220-240V
- Mått:



MILJÖSKYDD:

	<p>Denna produkt är märkt med symbolen av selektiv sortering för avfall av elektroniska utrustningar. Det innebär att denna produkt inte får kasseras med hushållsavfall, utan måste stödjas av systemet för selektiv insamling i enlighet med Europaparlamentets och rådets direktiv 2012/19 / EU. Den kommer sedan att återvinnas eller demonteras för att minimera miljöpåverkan, elektriska och elektroniska produkter är potentiellt farliga för miljön och människors hälsa på grund av närvaron av farliga ämnen. För mer information kontakta dina lokala eller regionala myndigheter.</p>
-----------------------------------------------------------------------------------	----------------------------------------------------------------------------------------------------------------------------------------------------------------------------------------------------------------------------------------------------------------------------------------------------------------------------------------------------------------------------------------------------------------------------------------------------------------------------------------------------------------------------------------------------------------------------------------------------

OBSERVERA:

Nedan visas hur man reducerar den totala miljöpåverkan (t ex energianvändning) i matlagningsprocessen.

- (1) Installera spisfläkten på en plats där det finns effektiv ventilation.
- (2) Rengör spisfläkten regelbundet för att undvika att luftvägen blockeras.
- (3) Kom ihåg att stänga av spisfläktbelysningen efter matlagning.
- (4) Kom ihåg att stänga av spisfläkten efter matlagning.

INFORMATION OM DEMONTERING

Demontera inte apparaten på ett sätt som inte anges i bruksanvisningen. Apparaten kan inte demonteras av användaren. När apparaten är slutanvänd ska den inte kasseras med hushållsavfall. Kontakta din lokala myndighet eller ansvarande för råd om återvinning.